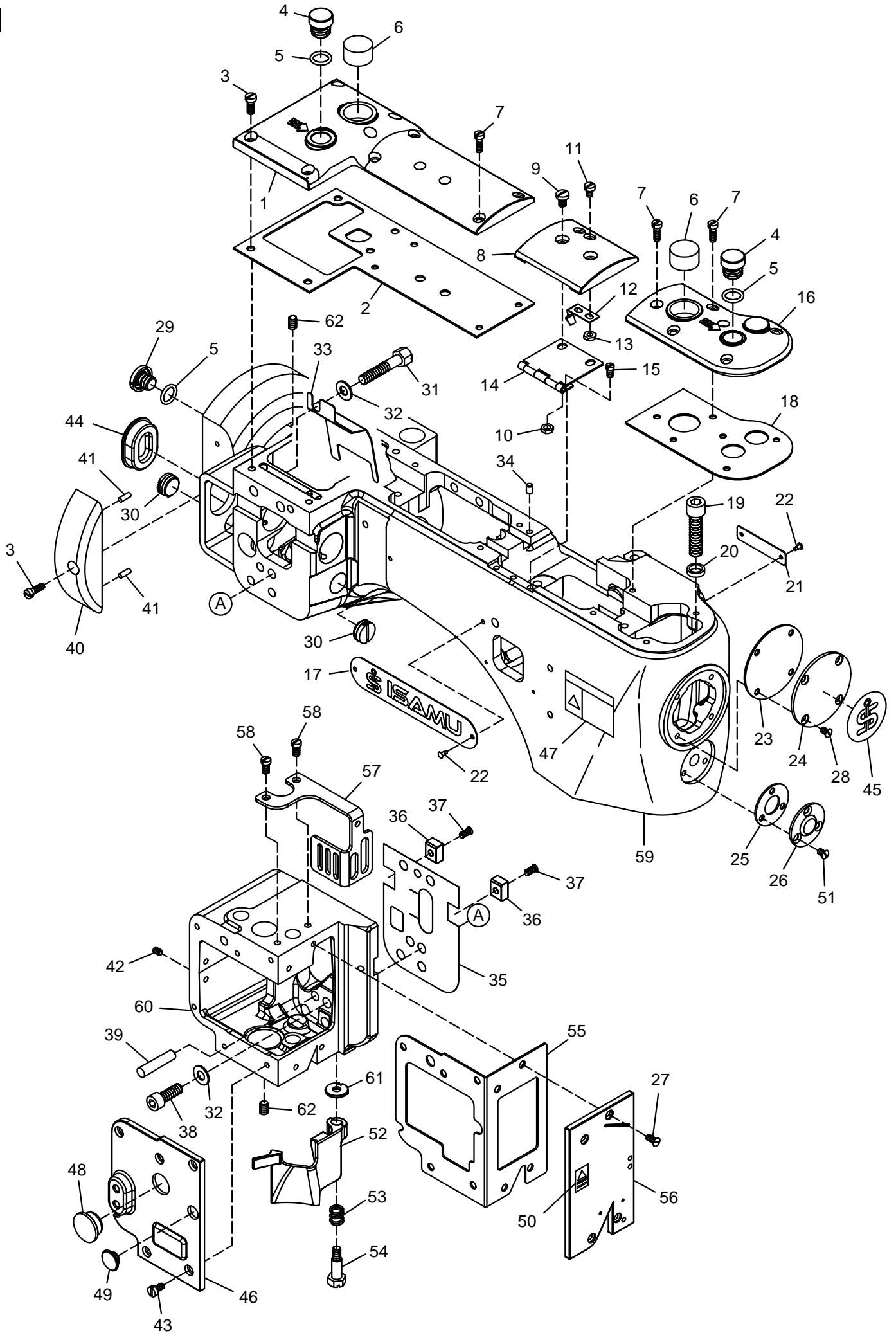


CONTENTS**目錄**

MISCELLANEOUS COVERS (1)	機殼機構 (1)	1
MISCELLANEOUS COVERS (2)	機殼機構 (2)	2
MISCELLANEOUS THREAD EYELETS	過線機構	3
MISCELLANEOUS BUSINGS	套管機構	4
MAIN SHAFT DEIVING MECHANISM	上主軸與針棒機構	5
PRESSER FOOT MECHANISM	壓腳驅動機構	6
UPPER KNIFE CARRIER AND HOOK DRIVING MECHANISM	上切刀及上勾針驅動機構	7
LOOPER DEIVING MECHANISM	下勾針驅動機構	8
FEED DEIVING MECHANISM	送料具驅動機構	9
FEED DEIVING CONTROL MECHANISM	送料具調節機構	10
LUBRICATING MECHANISM	給油機構	11
MU62D-452-12, 460-12 EXCLUSIVE PARTS	專用零件	12
SV DEVICE	伺服馬達機構	13
ET DEVICE	電動抬壓腳機構	14
ATTACHMENT	附件	15
THREAD STAND	線架組	16
SC3 DEVICE	吸布屑組	17
MU62D-460-10H EXCLUSIVE PARTS	專用零件	18
MU62D-460-04 EXCLUSIVE PARTS	專用零件	19
MISCELLANEOUS THREAD EYELETS FOR MU620	過線機構 (MU620)	20
AT DEVICE	氣動抬壓腳機構	21
AT/SC3 DEVICE	吸布屑及氣動抬壓腳組	22
CT1/CT5/CT6 DEVICE	切線機構	23
SC4 DEVICE	切線集屑機構	24
SC7 DEVICE	切線集屑機構	25
SC9 DEVICE	切線集屑機構	26
DT1 DEVICE	電動自動切刀機構	27
SC16 DEVICE	切線集屑機構	28
CLASS LIST OF MAIN SPARE PARTS	主零件型號區分	29

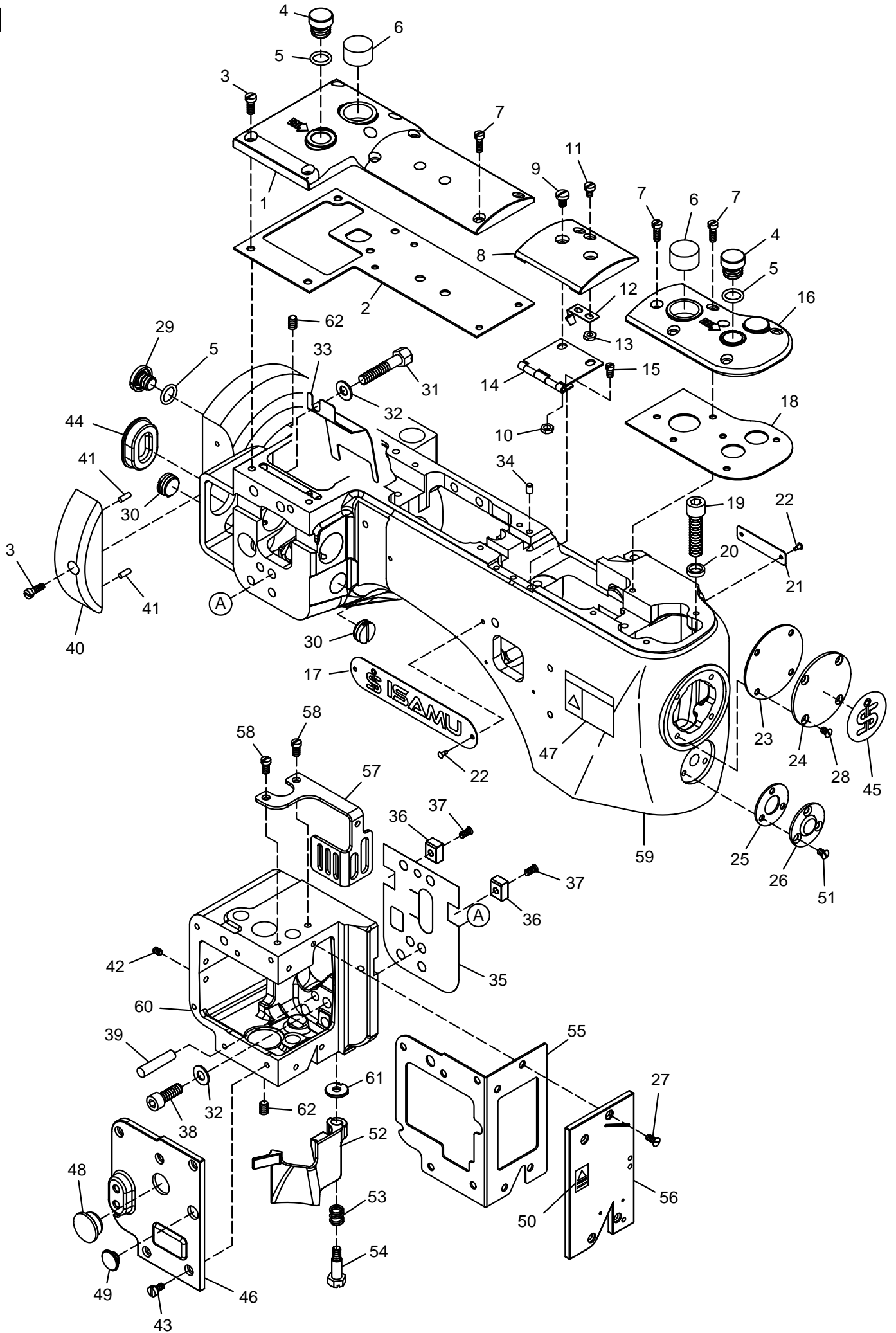


MISCELLANEOUS COVERS (1)

機殼機構(1)

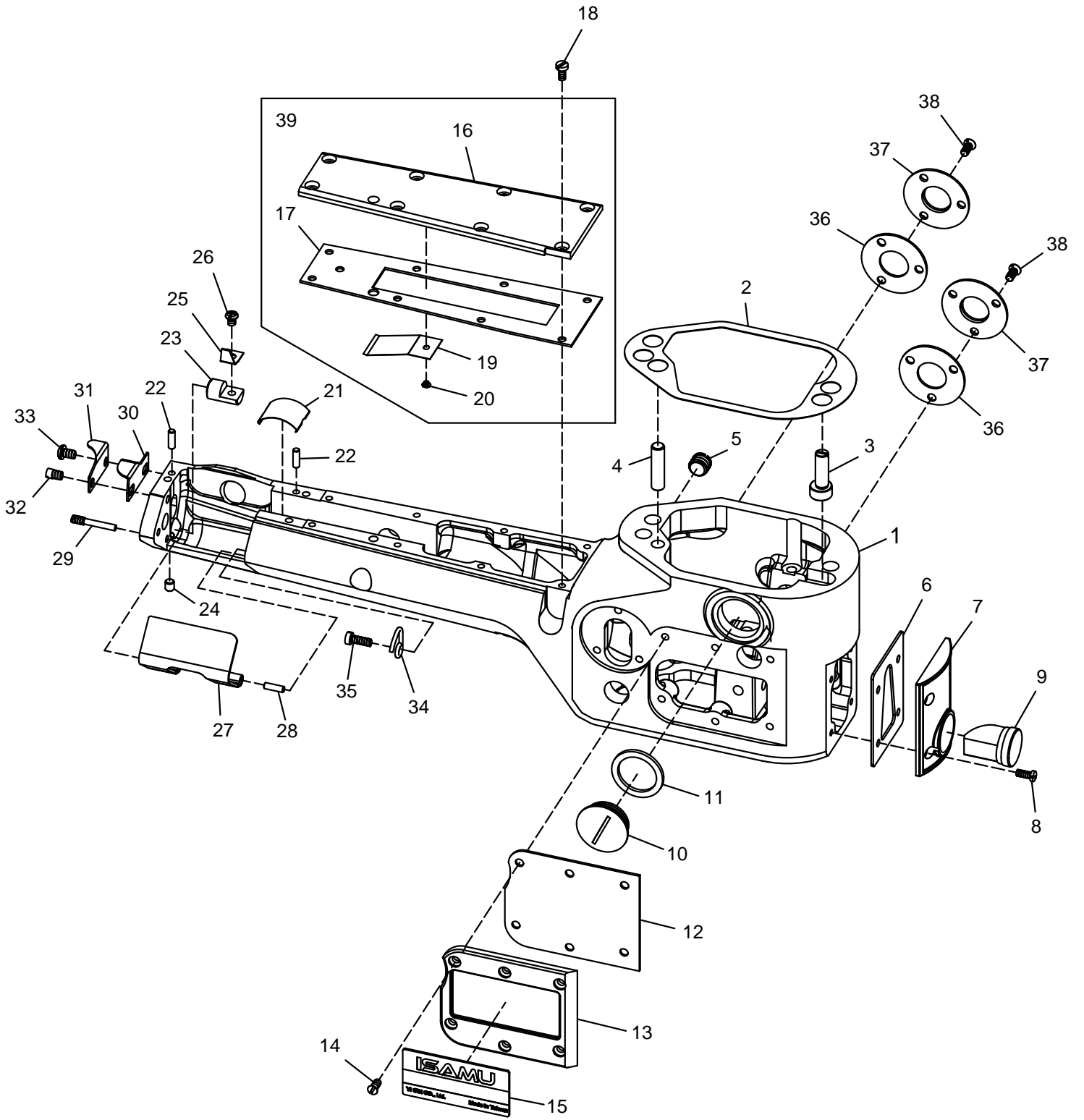
1

Ref.No	Parts.No	Description	品名	Amt.Req.
1	A0101	Crank Chamber Cover	曲軸室上蓋	1
2	A0102	Crank Chamber Cover Gasket	曲軸室墊片	1
3	A0103	Screw (11/64-40x10)	螺絲	6
4	A0104	Screw (M12-1.75x9)	螺絲	2
5	A0105	O-ring (P10)	O型橡膠環	3
6	A0106	Oil Sight Top Window	上油鏡	2
7	A0107	Screw (9/64-40x11)	螺絲	10
8	A0108	Top Cover (Middle)	上蓋 (中)	1
9	A1009	Screw (11/64-40x8)	螺絲	2
10	A0110	Nut	螺帽	2
11	A0111	Screw (9/64-40x5.6)	螺絲	2
12	A0112	Top Cover (Middle) Spring	上蓋 (中) 彈簧	1
13	A0113	Nut	螺帽	2
14	A0114	Top Cover (Middle) Hinge	上蓋板 (中) 活動板	1
15	A0115	Screw (9/64-40x6)	螺絲	3
16	A0116	Top Cover (Front)	上蓋 (前)	1
17	B01017	Brand Name Sticker	銘牌	1
18	A0118	Top Cover (Front) Gasket	上蓋墊片 (前)	1
19	A0119	Screw (5/16-24x32)	螺絲	3
20	A0120	Washer	墊片	3
21	A0121	Serial Number Plate	機台序號牌	1
22	A0122	Rivet	鉚釘	4
23	A0123	Machine Frame End Cover Gasket	防油墊片	1
24	A0124	Machine Frame End Cover	防油蓋	1
25	A0125	Looper Lever Shaft Cover Gasket	防油墊片	1
26	A0126	Looper Lever Shaft Cover	防油蓋	1
27	A0127	Screw (9/64-40x8)	螺絲	4
28	A01028	Screw (9/64-40x6)	螺絲	4
29	A0129	Drain Hole Screw (3/8-24x8)	止油螺絲	1
30	A0130	Plug Screw (M14-1x4.8)	止油螺絲	2
31	A0131	Screw (1/4-28x32.5)	螺絲	2
32	A0132	Washer	墊片	3
33	A0133	Crank Chamber Cover Oil Shield	防油鐵片	1
34	A0134	Oil Seal Plug	橡膠塞	1
35	A0135	Sewing Head Oil Defense	防油板	1
36	A0136	Sewing Head Key	機殼固定塊	2
37	A0137	Screw (9/64-40x7.8)	螺絲	2
38	A0138	Screw (1/4-28x20)	螺絲	1
39	A0139	Pin	插銷	1
40	A01140	Extension Block	延伸塊	1
41	C02016-1	Pin	銷	2
42	B0142	Screw (9/64-40x6)	螺絲	2
43	A0143	Screw (9/64-40x7.3)	螺絲	6
44	A01144	Seal Plug	防油塞	1
45	A01045	Trademark Sticker	商標貼紙	1
46	B0231	Sewing Head Cover (Left)	車頭蓋	1
47	A01047	Warning Sticker	警告貼紙	1
48	A0148	Seal Plug	油塞	1
49	A0149	Seal Plug	油塞	1
50	A01050	Warning Sticker	警告貼紙	1
51	A0151	Screw (9/64-40x5.6)	螺絲	3
52	A01152	Frame Chip Guard	防護板	1
53	A0153	Frame Chip Guard Spring	彈簧	1



MISCELLANEOUS COVERS (1)**機殼機構(1)****1**

Ref.No	Parts.No	Description	品名	Amt.Req.
54	A0154	Screw (M5-0.8X8.7)	螺絲	1
55	A0155	Sewing Head Cover Gasket	止油墊片	1
56	A0156	Sewing Head Cover Gasket (Front)	車頭前蓋	1
57	A01157	Needle Thrad Take-up Guard	護蓋	1
58	A0158	Screw (M4-0.7x7.8)	螺絲	2
59	B01159	Machine Frame	機殼	1
60	B01160	Machine Frame	機殼	1
61	A0166	Frame Chip Guard Washer	墊片	1
62	C02021	Screw(M6-1x6)	螺絲	2

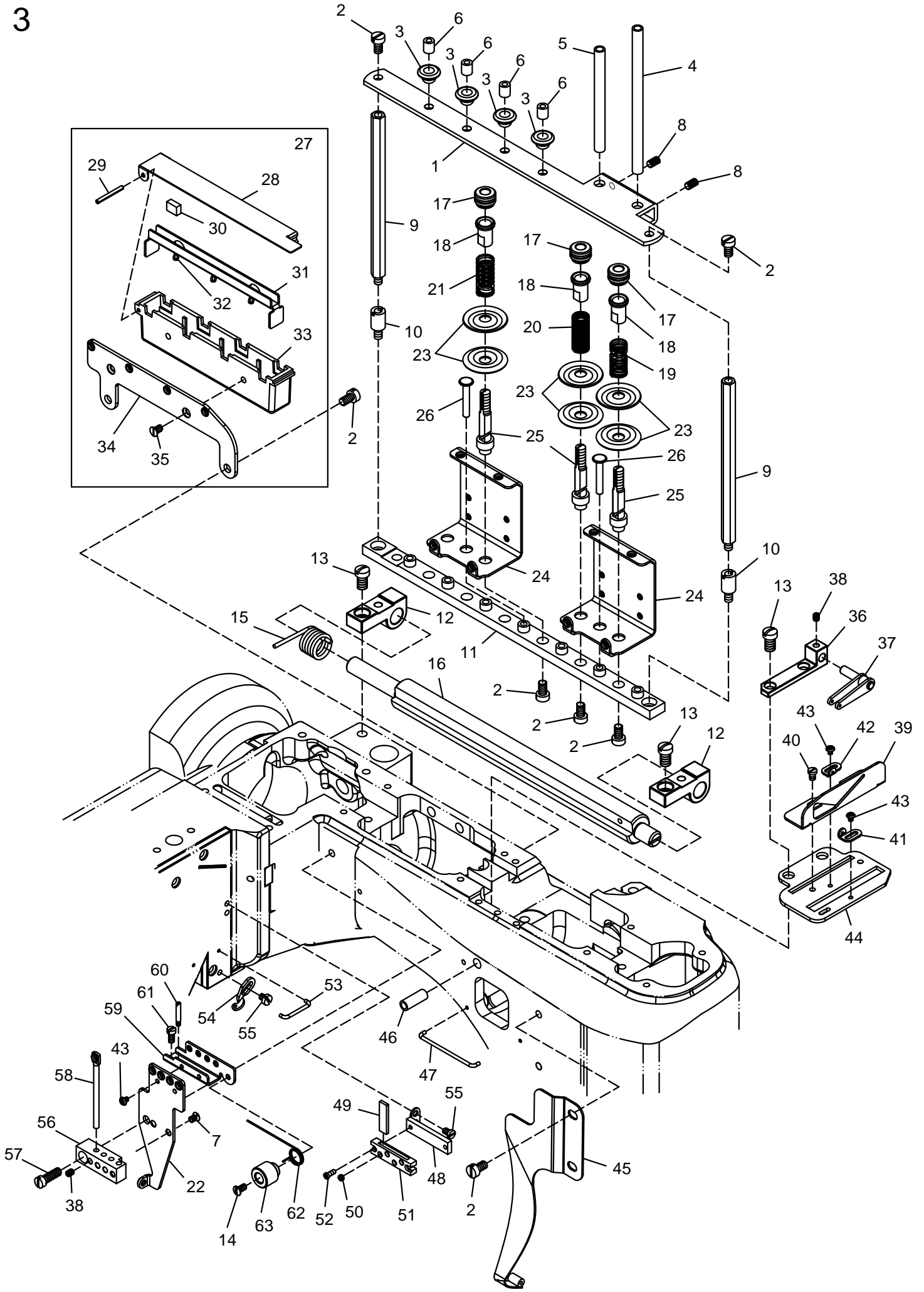


MISCELLANEOUS COVERS (2)

機殼機構(2)

2

Ref.No	Parts.No	Description	品名	Amt.Req.
1	A0201	Sewing Cylinder	圓筒部機殼	1
2	A0202	Sewing Cylinder Gasket	止油銅墊片	1
3	A0203	Alignment Pin	調節插銷	1
4	A0204	Knock Pin	頂出銷	1
5	A0205	Screw (3/8-24x5.4)	螺絲	1
6	A0206	Seal Gasket	止油墊片	1
7	A0207	Cylinder Frame Cover (Front)	前蓋	1
8	A0208	Screw (1/8-44x7.7)	螺絲	4
9	A0209	Oil Gauge	油錶	1
10	A0210	Screw (M22-1.5x5.7)	螺絲	1
11	A0211	Gasket	橡膠墊片	1
12	A0212	Seal Gasket	止油墊片	1
13	A0213	Cylinder Frame Cover (Left)	左蓋	1
14	A0137	Screw (9/64-40x7.8)	螺絲	6
15	B02015	Model Plate	型號銘牌	1
16	A0216	Cylinder Frame Cover (Upper)	上蓋	1
17	A0217	Seal Gasket	止油墊片	1
18	A0218	Screw (1/8-44x6.5)	螺絲	8
19	A0219	Dust Defender (Upper)	防塵蓋 (上)	1
20	A0220	Screw (3/32-56x2.1)	螺絲	1
21	A0221	Dust Defender (Lower)	防塵蓋 (下)	1
22	A0222	Pin	插銷	2
23	A0223	Looper Cover Spring Support	彈簧片座	1
24	A0224	Screw (11/64-40x4.8)	止付螺絲	1
25	A0225	Looper Cover Spring	下勾針蓋彈簧片	1
26	A0226	Screw (9/64-40x4.7)	螺絲	1
27	A0227	Lopper Cover	下勾針蓋	1
28	A0228	Pin	插銷	1
29	A0229	Screw (9/64-40x6.4)	螺絲	1
30	A0230	Chain-off Cutting Knife	割刀	1
31	A0231	Chain-off Cutting Knife Guard	割刀固定片	1
32	A0232	Screw (M4-0.7x4.5)	螺絲	1
33	A0233	Screw (M4-0.7x5.8)	螺絲	1
34	A0234	Looper Thread Guide Wire	過線圈	1
35	A0143	Screw (9/64-40x7.3)	螺絲	1
36	A0236	Feed Drive Shaft Cover Gasket	止油墊片	2
37	A0237	Feed Drive Shaft Cover	止油蓋	2
38	A0151	Screw (9/64-40x5.6)	螺絲	6
39	B02039	Cylinder Frame Cover (Upper), C. Set	上蓋組	1

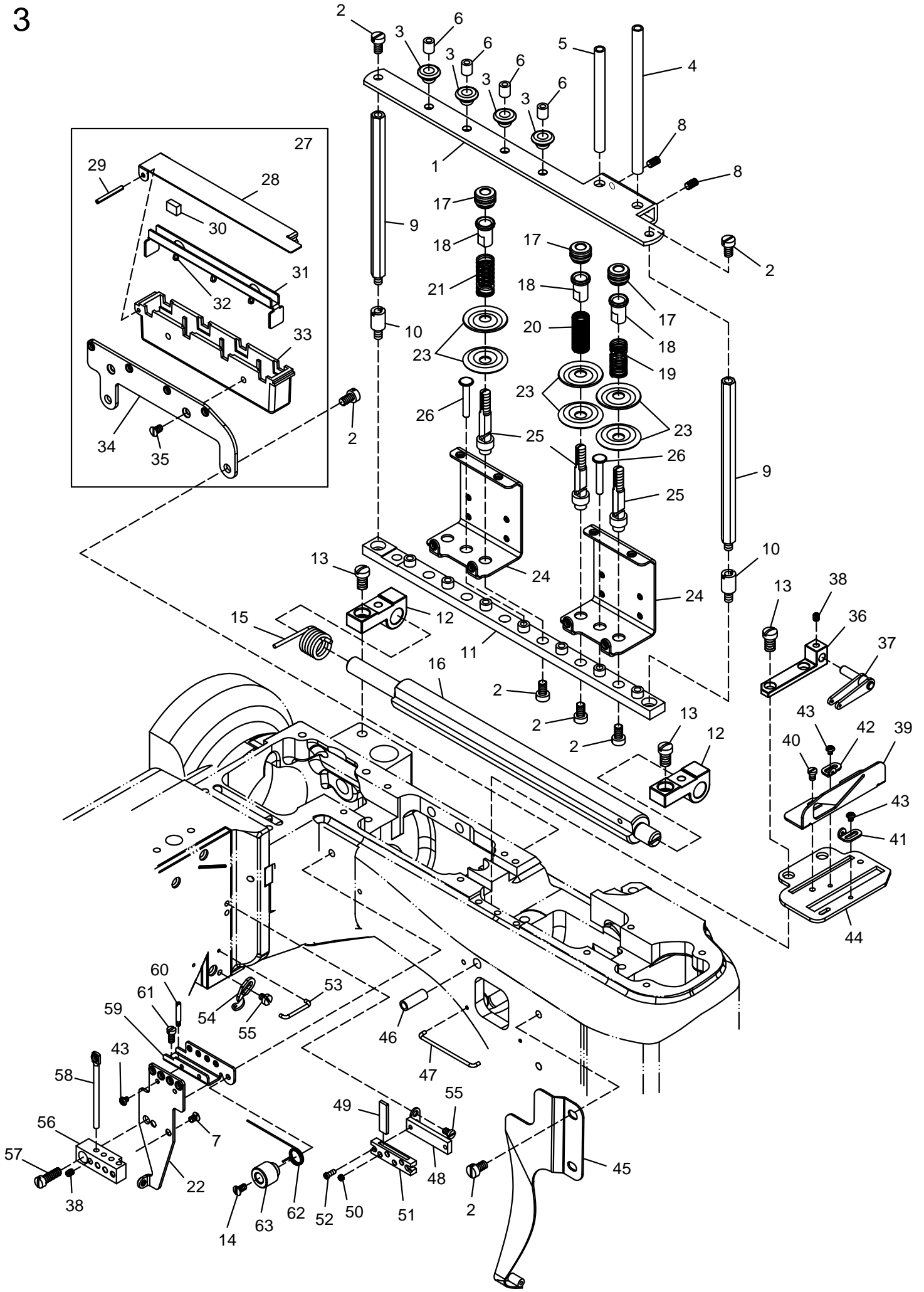


MISCELLANEOUS THREAD EYELETS

過線機構

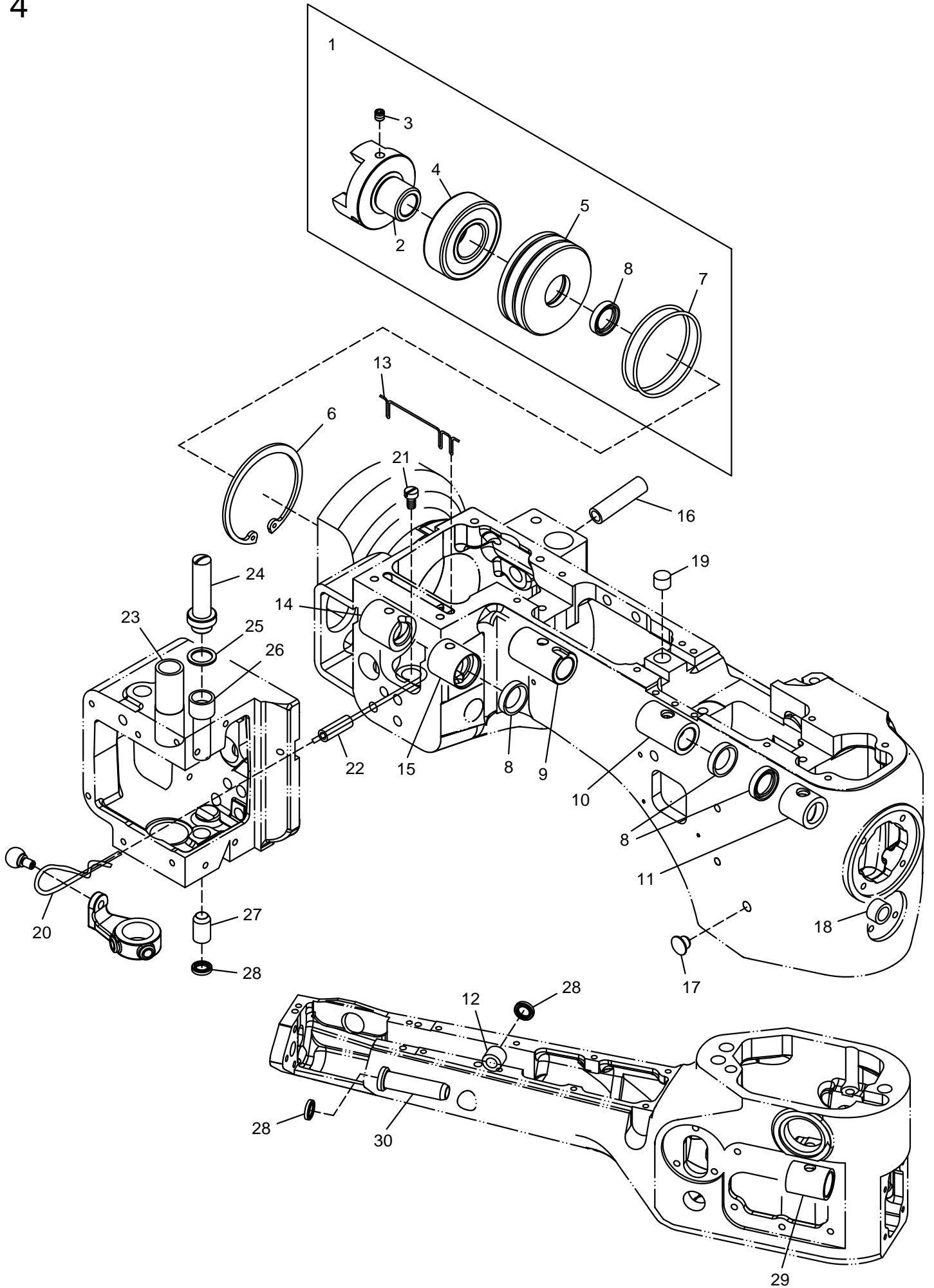
3

Ref.No	Parts.No	Description	品名	Amt.Req.
1	A03101	Thread Guide Plate	線架板	1
2	A0302	Screw (11/64-40x7)	螺絲	6
3	B0403	Thread Eyelet Bushing	過線孔套	4
4	A03104	Thread Pipe	過線管	1
5	A03105	Thread Pipe	過線管	1
6	B0404	Thread Eyelet	過線孔	4
7	A0367	Screw (1/8-44x4.4)	螺絲	2
8	A03008	Screw (M4-0.7x8)	螺絲	2
9	A0309	Thread Guide Plate Support	線架板支撐棒	2
10	A0310	Screw (11/64-40x7)	螺絲	2
11	A0311	Thread Tension Support	上線張力固定座	1
12	A0312	Thread Tension Support Bracket	上線張力固定座支架	2
13	A0313	Screw (7/32-32x9.3)	螺絲	4
14	A0366	Screw (1/8-44x5.4)	螺絲	1
15	A0315	Tension Release Shaft Spring	張力釋放軸彈簧	1
16	B0416	Tension Release Shaft	張力釋放軸	1
17	A0317	Nut	彈簧調整鈕	6
18	A0318	Tension Spring Bushing	張力彈簧調整固定軸	6
19	A0319	Looper Thread Tension Spring	下勾針張力彈簧	1
20	A0320	Top Cover Thread Tension Spring	上飾線張力彈簧	1
21	A0321	Needle Thread Tension Spring	針線張力彈簧	4
22	A03122	Needle Bracket	過線支撐架	1
23	A0323	Thread Tension Disc	張力調整盤	12
24	A03124	Thread Tension Disc Eyelet	張力調整過線架	3
25	A0325	Tension Post	張力彈簧支柱	6
26	A0326	Tension Release Pin	張力釋放插銷	7
27	A03127	SPDevice, C. Set	針線吸油組	1
28	A0328	Oil Cup Lip	矽油儲存槽蓋	1
29	A0329	Hinge Pin	鉸鏈插銷	1
30	A0330	SP Felt	SP吸油氈	4
31	A0331	SP Felt Stay	SP吸油氈支柱	1
32	A0332	Oil Wick	油芯	1
33	A0333	SP Container	矽油儲存槽	1
34	A03134	SP Container Support	矽油儲存槽固定座	1
35	A0151	Screw (9/64-40x5.6)	螺絲	2
36	A0336	Thread Take-up Eyelet Holder	提線桿託架	1
37	A0337	Thread Take-up Eyelet	提線桿	1
38	A0338	Screw (1/8-44x4)	螺絲	5
39	A0339	Looper Thread Take-up Guide	下勾針提線桿護架	1
40	A0340	Screw(1/8-44x4.5)	螺絲	2
41	A0341	Looper Thread Take-up Eyelet (Front)	下勾針提線桿(前)	1
42	A0342	Looper Thread Take-up Eyelet (Rear)	下勾針提線桿(後)	1
43	A0343	Screw (3/32-56x3)	螺絲	4
44	A0344	Eyelet Supporting Plate	提線桿固定板	1
45	A0345	Looper Thread Guard	下勾針線導架	1
46	A0346	Top Cover Thread Pipe	上飾線過線導管	1
47	A0347	Looper Thread Guide Wire (Upper)	下勾針線導架金屬線	1
48	A03148	Needle Thread Strike-off Pin Holder Plate	過線張力固定板	1
49	A03149	Needle Thread Strike-off Pin	過線張力調整片	4
50	A0350	Screw (1/8-44x2)	螺絲	4
51	A03151	Needle Thread Strike-off Pin Holder Bracket	過線張力固定架	1
52	B0452	Screw (3/32-56x5.7)	螺絲	2
53	A0353	Needle Thread Guide Wire	針線導架金屬線	1



MISCELLANEOUS THREAD EYELETS**過線機構****3**

Ref.No	Parts.No	Description	品 名	Amt.Req.
54	A03154	Head Cover Thread Eyelet	上飾線過線片	1
55	A0355	Screw (1/8-44x4)	螺絲	3
56	A03156	Needle Thread Eyelet Holder	針線張力調整桿座	1
57	A0357	Screw (11/64-40x13)	螺絲	1
58	A03158	Needle Thread Eyelet	針線張力調整桿	4
59	A03159	Stitch Unlocker Mounting Bracket	跳線彈簧架	1
60	A0360	Screw (3/32-56x3)	螺絲	1
61	A0361	Screw (1/8-44x6.4)	螺絲	1
62	A0362	Stitch Unlocking Spring	跳線彈簧	1
63	A0363	Stitch Unlocking Spring Holder	跳線彈簧調整固定鈕	1
64	A1009	Screw (11/64-40x8)	螺絲	6



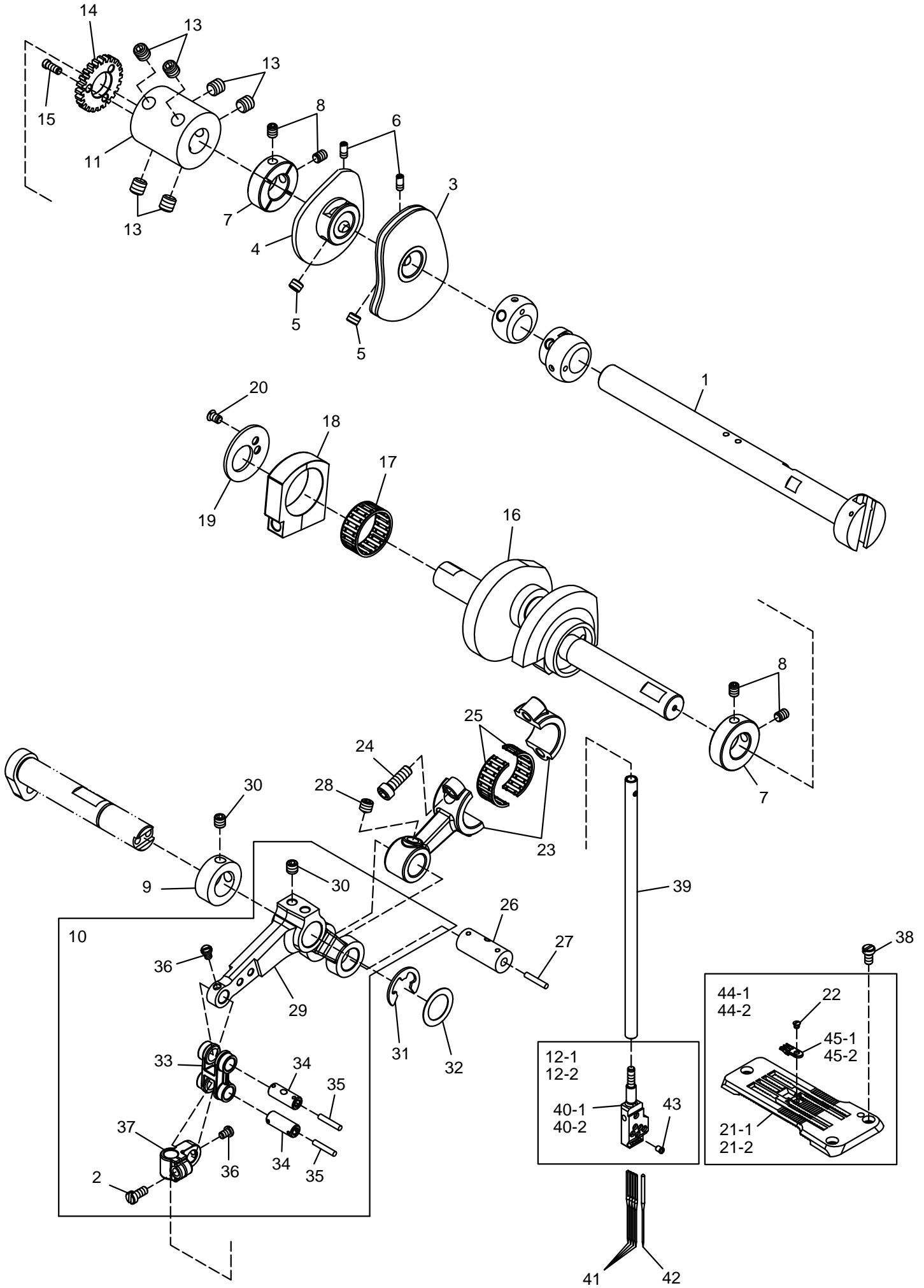
MISCELLANEOUS BUSHINGS

套管機構

4

Ref.No	Parts.No	Description	品名	Amt.Req.
1	A04101	Adapter, C. Set	軸承組	1
2	A04102	Adapter	軸承軸心	1
3	A0836	Screw (M5-0.8x8)	螺絲	2
4	C06006	Ball Bearing	軸承	1
5	A04105	Bearing Housing	軸承固定室	1
6	A04106	Buckle	扣環	1
7	B0507	O-Ring	O型環	2
8	B0508	Oil Seal	油封	4
9	B04109	Main Shaft Bushing(Rear)	主軸套管(後)	1
10	B04110	Main Shaft Bushing(Middle)	主軸套管(中)	1
11	A0411	Main Shaft Bushing(Front))	主軸套管(前)	1
12	A0432	Feed Bar Eccentric Pin Bushing	送料具偏心銷套管	1
13	A0413	Oil Wick(Laced Wire))	油芯	1
14	A0414	Knife Driving Lever Bushing(Rear)	銅套管(後)	1
15	A0415	Knife Driving Lever Bushing(Front)	銅套管(前)	1
16	A0416	Presser Foot Lifter Stop Plunger Bushing	襯套	1
17	A0417	Seal Plug	油塞	1
18	A0418	Bushing	襯套	1
19	A0419	Plug	塞頭	1
20	A0420	Oil Wick	油芯	1
21	A1009	Screw (11/64-40x8)	螺絲	1
22	A0422	Plastic Pipe	塑膠管	1
23	A0423	Presser Bar Bushing	壓腳套管	1
24	A0424	Needle Bar Bushing(Upper)Lid	針柱套管(上)蓋	1
25	A0425	Gasket	墊片	1
26	A0426	Needle Bar Bushing(Upper)	針柱套管(上)	1
27	A0427	Needle Bar Bushing(Lower)	針柱套管(下)	1
28	A0428	Oil Seal	油封	3
29	A0429	Looper Rocker Shaft Bushing(Front)	下勾針搖桿軸套管(前)	1
30	A0430	Looper Rocker Shaft Bushing(Rear)	下勾針搖桿軸套管(後)	1

5



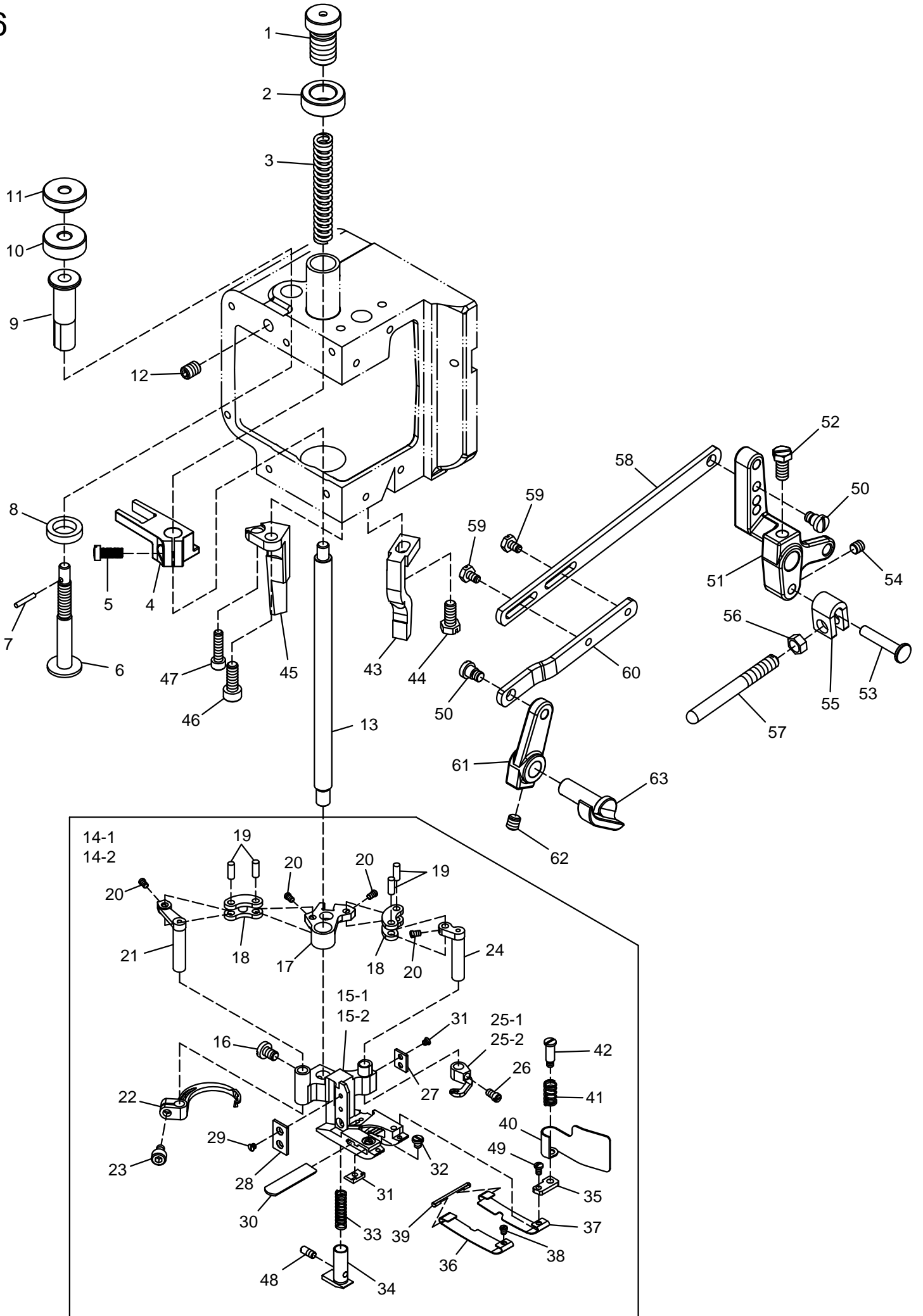
MAIN SHAFT DEIVING MECHANISM

上主軸與針棒機構

5

Ref.No	Parts.No	Description	品名	Amt.Req.
1	B05101	Main Shaft	主軸	1
2	A0556	Screw (9/64-40x7.9)	螺絲	1
3	A0503	Looper Thread Take-Up	底線提線凸輪	1
4	A0504	Top Cover Thread Take-Up	上飾線提線凸輪	1
5	B05105	Screw (7/32-32x3.6)	螺絲	4
6	A0506	Screw (1/8-44x5.3)	螺絲	2
7	A0507	Collar	軸環	2
8	A0403	Screw (M5-0.8x5)	螺絲	4
9	A0548	Collar	軸環	1
10	A0547	Needle Bar Lever, C. Set	針柱槓桿組	1
11	A0511	Main Shaft Coupling	主軸連接套	1
12-1	B05112	Needle Clamp, C. Set (5.2mm)	針鑷組 (5.2mm)	1
12-2	B18036	Needle Clamp, C. Set (6.0mm)	針鑷組 (6.0mm)	1
13	A0513	Screw (1/4-28x6.4)	螺絲	6
14	A0514	Pump Driving Gear	泵浦九齒	1
15	A0515	Screw (1/8-44x7.5)	螺絲	3
16	B1307	Crankshaf	曲軸	1
17	A0517	Needle Bearing	滾針軸承	1
18	A0518	Thread Carrier and Hook Driving Rod (Right)	驅動刀組連桿軸承套	1
19	A0519	Needle Bearing Retaining Plate	滾針軸承扣板	1
20	A0151	Screw (9/64-40x5.6)	螺絲	2
21-1	B05021	Stitch Plate (5.2mm)	針板 (5.2mm)	1
21-2	B18003	Stitch Plate (6.0mm)	針板 (6.0mm)	1
22	A0546	Screw (3/32-56x2.5)	螺絲	1
23	A0523	Needle Bar Connecting Rod	針柱連桿	1
24	A0524	Screw (3/16-32x14)	螺絲	2
25	A0525	Needle Bearing	滾針軸承	1
26	A0526	Needle Bar Lever Connecting Rod Pin	針柱槓桿連桿插銷	1
27	A0527	Oil Wick	油芯	1
28	A0528	Screw (7/32-32x4)	螺絲	1
29	A0529	Needle Bar Lever	針柱槓桿	1
30	A0530	Screw (M5-0.8x5)	螺絲	4
31	A0531	Retaining Ring	C形扣環	1
32	A0532	Thrust Ring	墊片	1
33	A0533	Needle Bar Connecting Link	針柱連桿	1
34	A0534	Needle Bar Connecting Link Pin	針柱連桿插銷	2
35	A0535	Oil Wick	吸油繩	2
36	A0340	Screw(1/8-44x4.5)	螺絲	2
37	A0537	Needle Bar Connecting Bracket	針柱連結架	1
38	A0538	Screw (9/64-40x6.4)	螺絲	3
39	A0539	Needle Bar	針柱	1
40-1	M62452	Needle Clamp (5.2mm)	針鑷 (5.2mm)	1
40-2	M62460	Needle Clamp (6.0mm)	針鑷 (6.0mm)	1
41	A0541A	Needle	擊針	4
42	A0542A	Retainer	假針	1
43	A0543	Screw (3/32-56x2.5)	螺絲	5
44-1	S62152	Stitch Plate, C. Set (5.2mm)	針板組 (5.2mm)	1
44-2	S62160	Stitch Plate, C. Set (6.0mm)	針板組 (6.0mm)	1
45-1	S62052	Stitch Plate Tongue (5.2mm)	針板舌片 (5.2mm)	1
45-2	S62060	Stitch Plate Tongue (6.0mm)	針板舌片 (6.0mm)	1

6



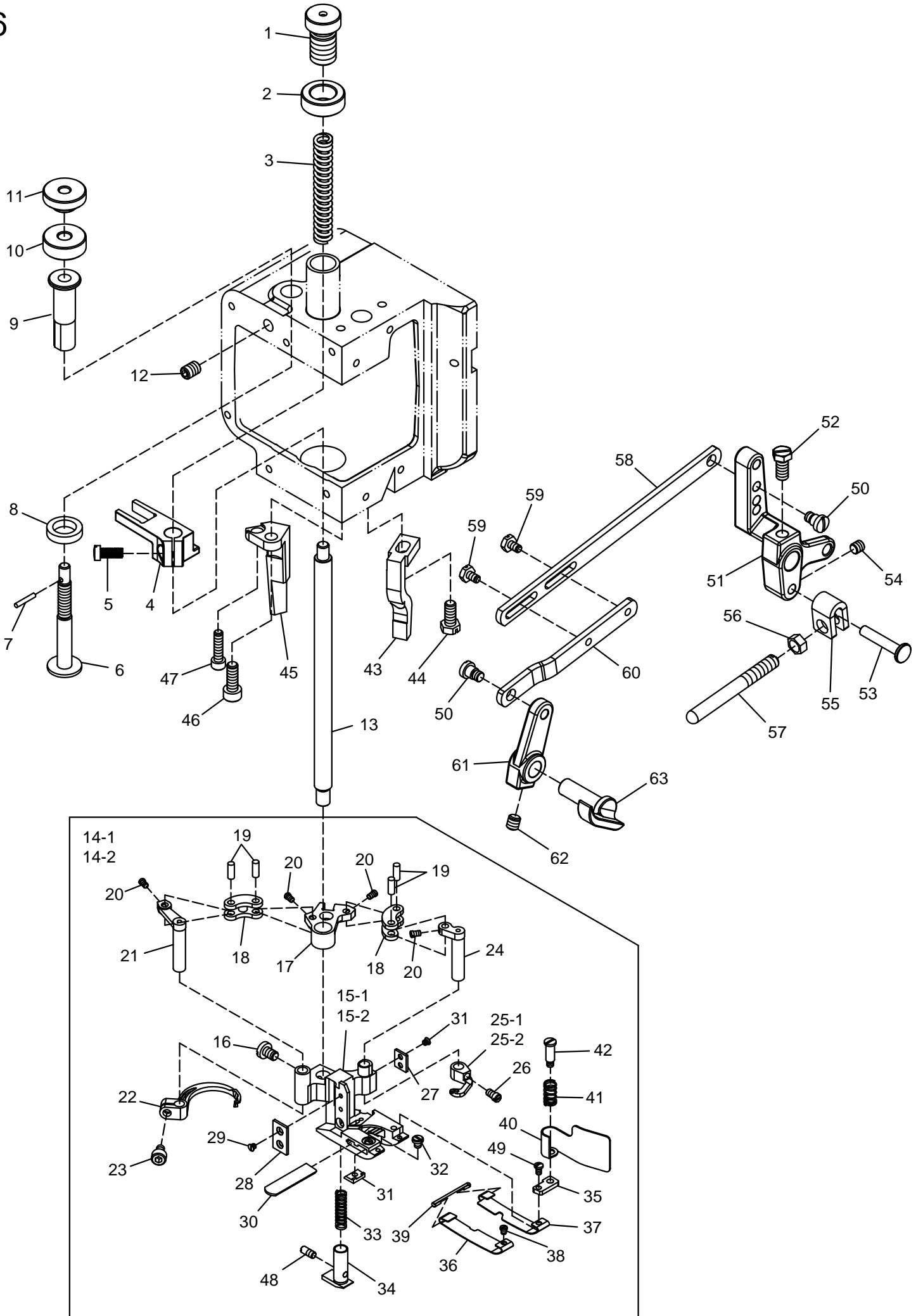
PRESSER FOOT MECHANISM

壓腳驅動機構

6

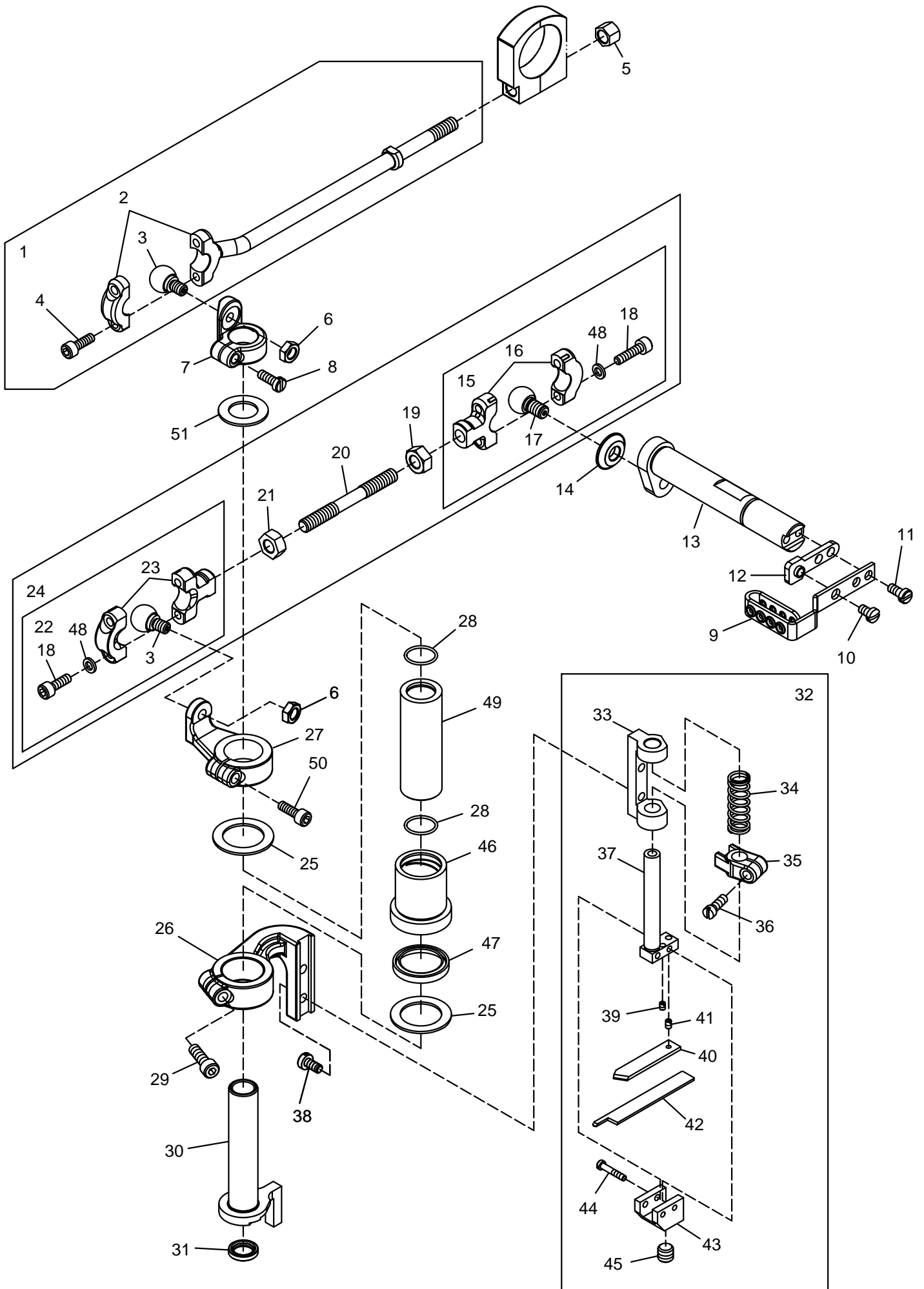
Ref.No	Parts.No	Description	品名	Amt.Req.
1	A0601	Adjusting Screw (M12-1x17)	調節螺絲	1
2	A0602	Lock Nut	保險螺帽	1
3	A0603	Presser Spring	壓腳彈簧	1
4	A0604	Presser Bar Connecting Bracket	壓腳推桿連結架	1
5	A0103	Screw (11/64-40x10)	螺絲	1
6	A0606	Presser Foot Adjusting Screw	壓腳調節螺絲	1
7	A0607	Pin	插銷	1
8	A0608	Connecting Bracket Cushion	連結架襯墊	1
9	A0609	Presser Bar Guide	壓腳導件	1
10	A0610	Lock Nut	保險螺帽	1
11	A0611	Adjusting Nut	調節螺帽	1
12	A0612	Screw (M6-1x8)	螺絲	1
13	A0613	Presser Bar	壓腳推桿	1
14-1	P52001	One Side Cut Presser Foot, C. Set (5.2mm)	單切壓腳組 (5.2mm)	1
14-2	P60001	One Side Cut Presser Foot, C. Set (6.0mm)	單切壓腳組 (6.0mm)	1
15-1	B52101	One Side Cut Presser Foot (5.2mm)	單切壓腳 (5.2mm)	1
15-2	B60101	One Side Cut Presser Foot (6.0mm)	單切壓腳 (6.0mm)	1
16	A0616	Screw (11/64-40x6)	螺絲	1
17	A0617	Carrier/Hook Driving Segment	上勾針驅動扇形片	1
18	A0618	Carrier/Hook Driving Lever Link	上勾針驅動連桿	2
19	A0619	Link Pin	連桿插銷	4
20	A0620	Screw (3/32-56x3.3)	螺絲	4
21	A0621	Thread Hook Driving Lever	勾針驅動槓桿	1
22	A0622	Top Cover Thread Hook	上飾線過線勾	1
23	A0623	Screw (9/64-40x6)	螺絲	1
24	A0624	Top Cover Thread Carrier Driving Lever	上飾線托架驅動槓桿	1
25-1	A0625	Top Cover Thread Carrier (5.2mm)	上飾線托架 (5.2mm)	1
25-2	A0669	Top Cover Thread Carrier (6.0mm)	上飾線托架 (6.0mm)	1
26	A0626	Screw (1/8-44x5)	螺絲	1
27	A0627	Presser Foot Attach Piece (Right)	壓腳連接片 (右)	1
28	A0628	Presser Foot Attach Piece (Left)	壓腳連接片 (左)	1
29	A0629	Screw (3/32-56x2.5)	螺絲	4
30	A0630	Lower Knife	下切刀	1
31	A1218	Lower Knife Clamp	下切刀夾板	1
32	A0632	Screw (1/8-44x3.4)	螺絲	1
33	A0633	Yielding Section Spring	小壓具彈簧	1
34	A0634	Yielding Section	小壓具	1
35	A0635	Chip Guard Plate	切角防護片座	1
36	A0636	Presser Foot Spring Plate (Left)	壓腳彈簧片 (左)	1
37	A0668	Presser Foot Spring Plate (Right)	壓腳彈簧片 (右)	1
38	A0638	Screw (3/32-56x2.6)	螺絲	1
39	A0639	Spring Plate Holder	彈簧片固定鐵勾	1
40	A1228	Chip Guard	切角防護片	1
41	A0641	Chip Guard Spring	切角防護片彈簧	1
42	A0642	Screw (1/8-44x3.4)	螺絲	1
43	A0643	Presser Foot Guide (Right)	壓腳導件 (右)	1
44	A0644	Screw (M5-0.8x11.7)	螺絲	1
45	B0747	Presser Foot Guide (Left)	壓腳導件 (左)	1
46	B06046	Screw (M5-0.8x12)	螺絲	1
47	B1427	Screw (M4-0.7x12)	螺絲	1
48	A0506	Screw (1/8-44x5.3)	螺絲	1
49	A0664	Screw (3/32-56x4.3)	螺絲	1
50	A0650	Screw (3/16-32x4)	螺絲	2

6



PRESSER FOOT MECHANISM**壓腳驅動機構****6**

Ref.No	Parts.No	Description	品名	Amt.Req.
51	A0651	Presser Bar Lifter Lever (Large)	壓腳升降槓桿 (大)	1
52	A0652	Screw (7/32-32x11.8)	螺絲	1
53	A0653	Stop Plunger Segment Pin	插銷	1
54	A0403	Screw (M5-0.8x5)	螺絲	1
55	A0655	Stop Plunger Segment	插銷套	1
56	A0656	Nut	螺帽	1
57	A0657	Presser Foot Lifter Stop Plunger	壓具抬起停車柱	1
58	A0658	Presser Foot Lifter Lever Link (Long)	壓腳升降槓桿連桿 (長)	1
59	A0659	Screw (9/64-40x6)	螺絲	2
60	A0660	Presser Foot Lifter Lever Link (Short)	壓腳升降槓桿連桿 (短)	1
61	A0661	Presser Bar Lifter Lever (Small)	壓腳升降槓桿 (小)	1
62	A0662	Screw (7/32-32x6)	螺絲	1
63	A0663	Presser Bar Lifter Lever	壓腳拉桿	1

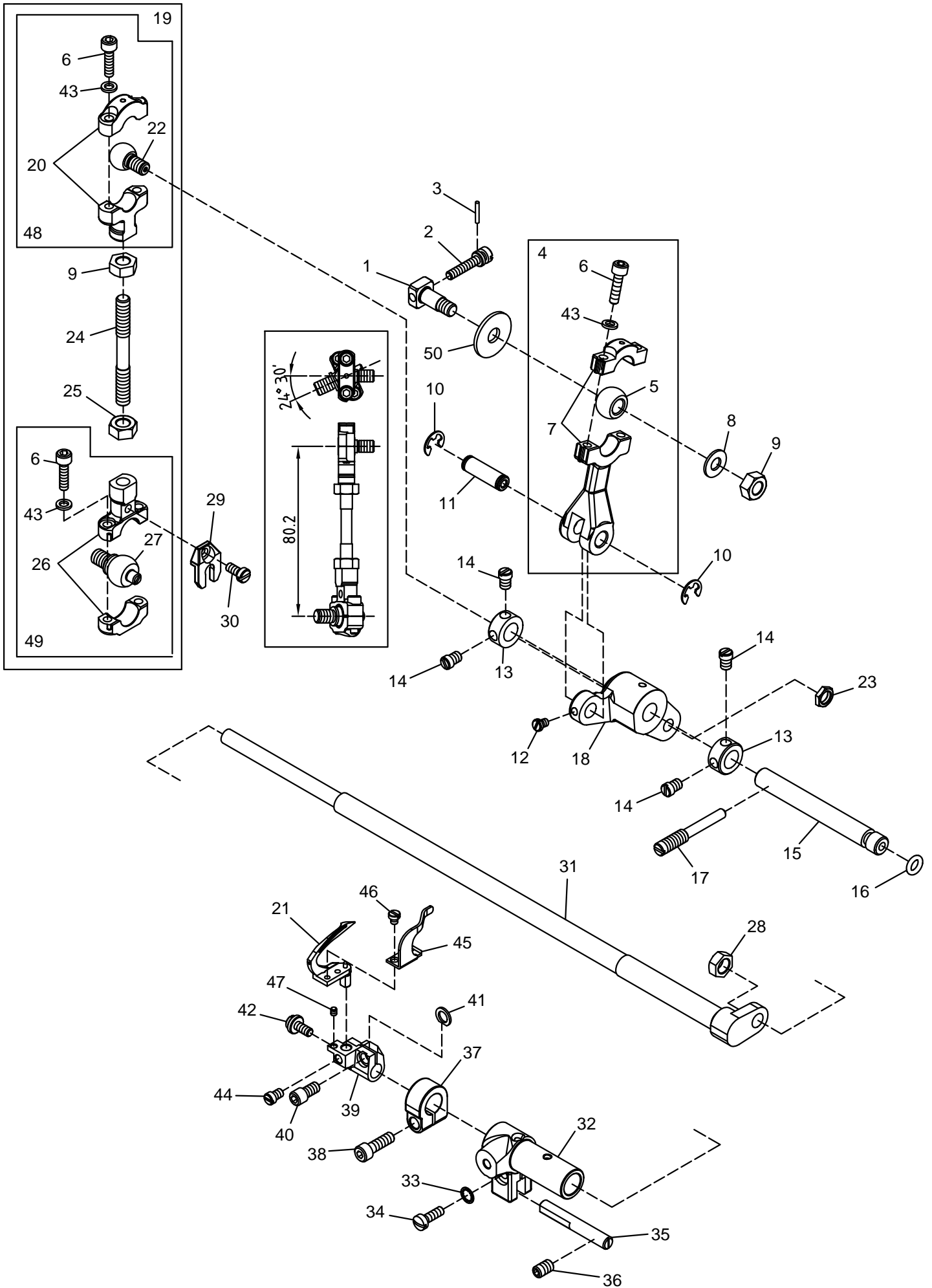


UPPER KNIFE CARRIER AND HOOK DRIVING MECHANISM

上切刀及上勾針驅動機構

7

Ref.No	Parts.No	Description	品名	Amt.Req.
1	A0701	Carrier/Hook Driving Rod (Left), C. Set	上飾線連桿組	1
2	A0702	Carrier Hook Driving Rod (Left)	上飾線連桿	1
3	A0703	Rod Ball (Left)	球頭	2
4	A0704	Screw (9/64-40x10)	螺絲	2
5	A0705	Nut	螺帽	1
6	A0706	Nut	螺帽	2
7	B0816	Carrier Hook Sleeve Lever	上飾線連桿套筒	1
8	A0235	Screw (9/64-40x10)	螺絲	1
9	A07109	Needle Thread Take-up	針線搖臂過線孔	1
10	A0710	Screw (M3.5-0.6x6)	螺絲	1
11	A0711	Screw (M3.5-0.6x7.8)	螺絲	2
12	A0712	Bracket	固定片	1
13	A0713	Knife Driving Lever	上切刀傳動槓桿	1
14	A0714	Steady Washer	穩定墊圈	1
15	A0715	Knife Driving Connection (Right), C. Set	上切刀傳動連結桿 (右) 組	1
16	A0716	Knife Driving Connection (Right)	上切刀傳動連結桿 (右)	1
17	A0717	Knife Driving Connection Ball (Right)	上切刀傳動連結球 (右)	1
18	A0718	Screw (M3.5-0.6x14)	螺絲	4
19	A0719	Nut (Left-handed Screw)	螺帽	1
20	A0720	Looper Driving Connection Rod	下勾針驅動連結桿	1
21	A0721	Nut	螺帽	1
22	A0722	Knife Driving Connection (Left), C. Set	上切刀傳動連結桿 (左) 組	1
23	A0723	Feed Drive Connection (Lower)	送料具驅動連桿 (下)	1
24	A0724	Knife Driving Connection , C. Set	上切刀傳動連結桿組	1
25	B0825	Bushing Ring	襯套墊片	2
26	B07126	Knife Holder Bracket	上切刀固定座托架	1
27	B08114	Knife Holder Bracket Arm	上切刀托架擺臂	1
28	B07128	Oil Seal	止油圈	2
29	B07129	Screw (M4-0.7x14)	螺絲	1
30	B0830	Carrier/Hook Driving Sleeve	上飾線連桿柱	1
31	A0731	Oil Seal	油封	1
32	A0732	Knife Holder Guide Collar, C. Set	活動刀組	1
33	A0733	Knife Holder Shank Support	上切刀固定座支架	1
34	A0734	Knife Holder Spring	上切刀固定座彈簧	1
35	A0735	Knife Holder Guide Collar	上切刀彈簧固定座	1
36	A0736	Screw (9/64-40x10.4)	螺絲	1
37	A0737	Knife Holder Shank	上切刀固定座柄	1
38	A0143	Screw (9/64-40x7.3)	螺絲	2
39	A0739	Screw (3/32-56x3.8)	螺絲	1
40	A0740	Knife Support	上切刀支架	1
41	A0741	Screw (3/32-56x1.2)	螺絲	1
42	A0742	Upper Knife	上切刀片	1
43	A0743	Knife Holder	上切刀固定座	1
44	A0744	Screw (3/32-56x7)	螺絲	2
45	A0745	Screw (1/4-40x5)	螺絲	1
46	B0821	Thread Carrier and Hook Sleeve Bushing	切刀固定座托架襯套	1
47	B0823	Oil Seal	油封	1
48	A0863	Washer	墊片	4
49	B07149	Knife Driving Shaft	上切刀傳動軸	1
50	A0838	Screw (11/64-40x13)	螺絲	1
51	B07151	Bushing Ring	襯套墊片	1



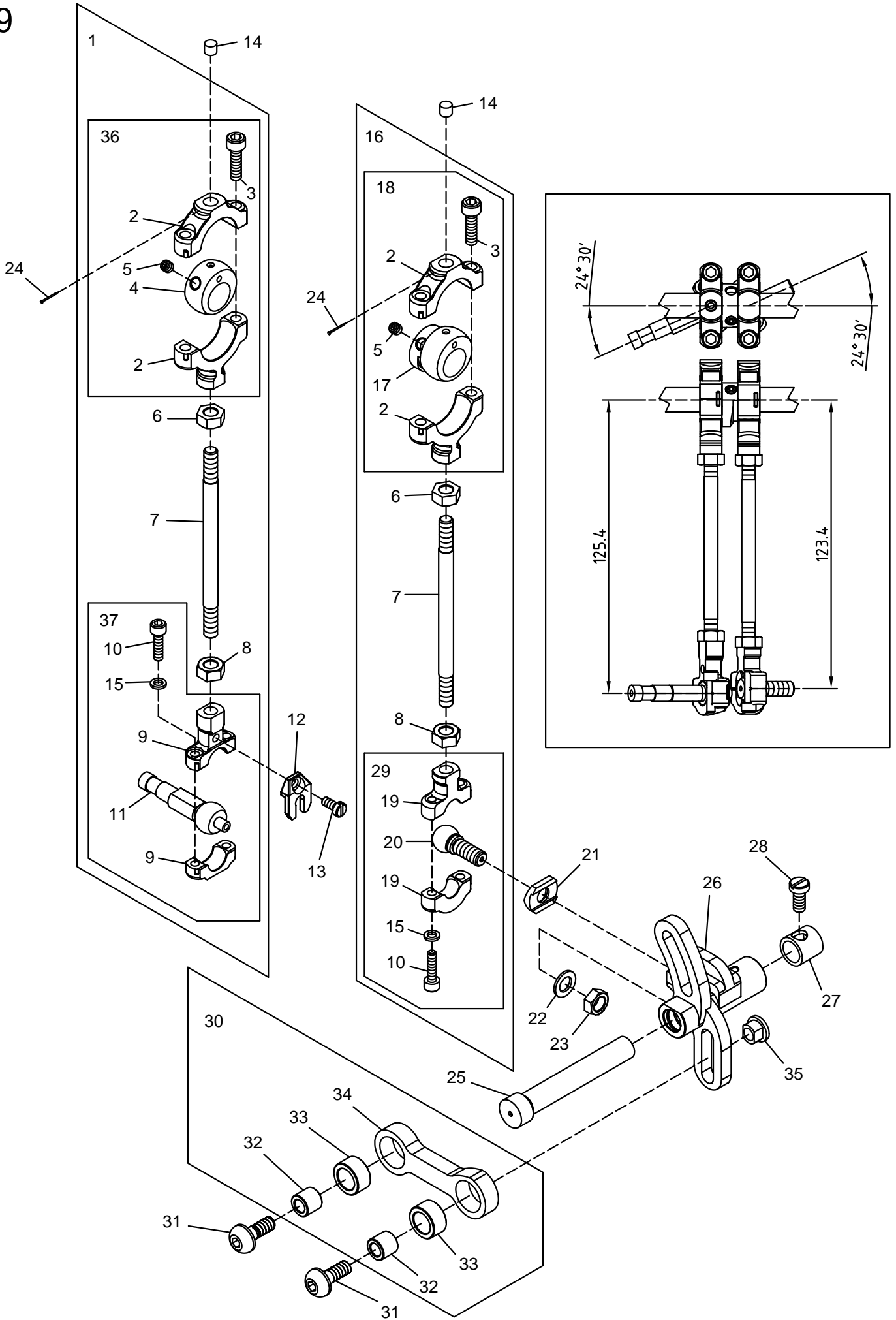
LOOPER DEIVING MECHANISM

下勾針驅動機構

8

Ref.No	Parts.No	Description	品名	Amt.Req.
1	A0801	Looper Driving Crank Pin	下勾針驅動曲柄插銷	1
2	A0802	Screw (9/64-40x16.5)	螺絲	1
3	A0803	Roll Pin for Main Shaft	插銷	1
4	A0804	Looper Lever Driving Rod, C.Set	下勾針驅動桿組	1
5	A0805	Looper Lever Driving Rod Ball	下勾針驅動桿球	1
6	A0718	Screw (M3.5-0.6x14)	螺絲	6
7	A0807	Looper Lever Driving Rod	下勾針驅動桿	1
8	A0808	Washer	墊片	1
9	A0719	Nut (Left-handed Screw)	螺帽	2
10	A0810	Retaining Ring	扣環	2
11	A0811	Looper Lever Driving Rod Pin	下勾針驅動桿插銷	1
12	A0340	Screw(1/8-44x4.5)	螺絲	1
13	A0813	Collar	軸環	2
14	A0814	Screw (11/64-40x5.8)	螺絲	4
15	A0815	Looper Lever Shaft	下勾針槓桿軸	1
16	A0862	O-Ring	O型環	1
17	A0817	Screw (7/32-32x15)	螺絲	1
18	A0818	Looper Lever	下勾針槓桿	1
19	A0819	Looper Driving Connection Rod, C.Set	下勾針驅動連桿組	1
20	A0820	Looper Driving Connection(Upper)	下勾針驅動連桿(上)	1
21	A0821	Looper	勾針	1
22	A0717	Knife Driving Connection Ball (Right)	上切刀傳動連結球 (右)	1
23	A0823	Nut	螺帽	1
24	A0720	Looper Driving Connection Rod	下勾針驅動連結桿	1
25	A0721	Nut	螺帽	1
26	A0826	Feed Lift Connection (Lower)	送料具提升連桿 (下)	1
27	A0827	Looper Driving Connection Ball(Lower)	下勾針驅動連桿球(下)	1
28	A0828	Nut	螺帽	1
29	A0829	Steady Fork	穩定叉	1
30	A0711	Screw (M3.5-0.6x7.8)	螺絲	1
31	A0831	Looper Rocker Shaft	下勾針搖桿軸	1
32	A0832	Looper Rocker Shaft Sleeve	下勾針搖桿軸套筒	1
33	A0833	Washer	墊片	1
34	A0834	Screw (9/64-40x11)	螺絲	1
35	A0835	Looper Rocker Shaft Sleeve Guide	下勾針搖桿軸套筒導件	1
36	A0836	Screw (M5-0.8x8)	螺絲	1
37	A0837	Collar	下勾針搖桿軸環	1
38	A0838	Screw (11/64-40x13)	螺絲	1
39	A0839	Looper Holder	下勾針固定座	1
40	A0840	Screw (11/64-40x8.2)	螺絲	1
41	A0841	Packing	襯墊	1
42	A0842	Adjusting Screw (9/64-40x8.2)	調節螺絲	1
43	A0863	Washer	墊片	6
44	A0844	Screw (9/64-40x4.9)	螺絲	1
45	A0845	Needle Guard(Front)	針檔(前)	1
46	A0846	Screw (29/256-48x3.2)	螺絲	2
47	A0847	Screw (3/32-56X3)	螺絲	1
48	A0848	Looper Driving Connection(Upper), C.Set	下勾針驅動連結組(上)	1
49	A0849	Looper Driving Connection(Lower), C.Set	下勾針驅動連結組(下)	1
50	A0850	Spacer	墊片	1

9



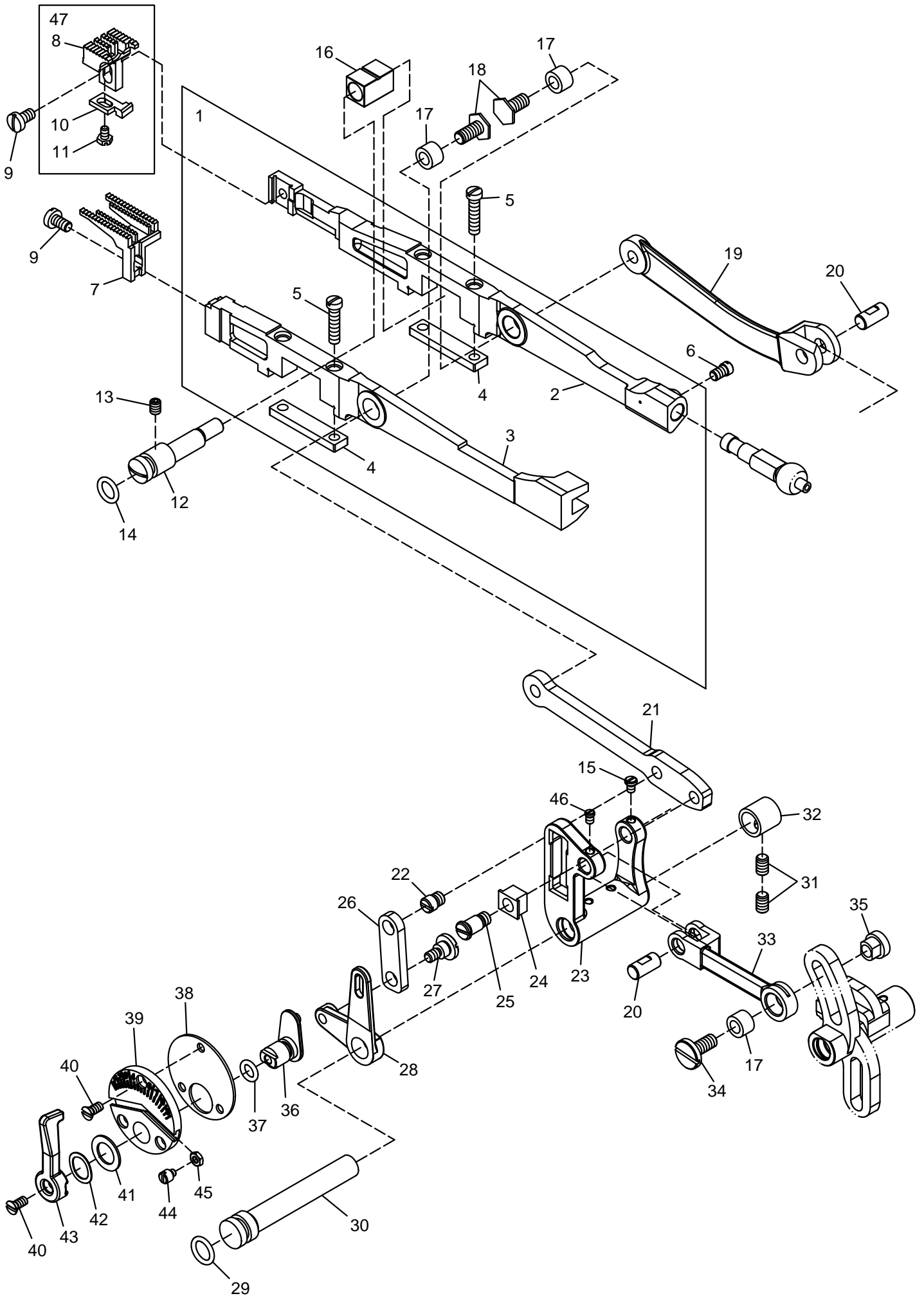
FEED DEIVING CONTROL MECHANISM

送料具驅動機構

9

Ref.No	Parts.No	Description	品名	Amt.Req.
1	A0901	Feed Lift Eccentric, C. Set	送料具提升偏心輪組	1
2	A0902	Feed Lift Connection (Upper)	送料具提升連桿 (上)	2
3	A0903	Screw (11/64-40x16)	螺絲	4
4	A0904	Feed Lift Eccentric Ball	送料具提升偏心輪球	1
5	A0905	Screw (11/64-40x4)	螺絲	4
6	A0719	Nut (Left-handed Screw)	螺帽	2
7	A0907	Feed Lift Eccentric Connecting Rod	送料具提升偏心輪連桿	2
8	A0721	Nut	螺帽	2
9	A0826	Feed Lift Connection (Lower)	送料具提升連桿 (下)	1
10	A0718	Screw (M3.5-0.6x14)	螺絲	4
11	A0911	Feed Lift Connection Ball	送料具提升連桿球	1
12	A0829	Steady Fork	穩定叉	1
13	A0711	Screw (M3.5-0.6x7.8)	螺絲	1
14	B1014	Oil Wick	油芯	2
15	A0863	Washer	墊片	4
16	A0916	Feed Drive Eccentric, C. Set	送料具驅動偏心輪組	1
17	A0917	Feed Drive Eccentric Ball	送料具驅動偏心輪球	1
18	A0938	Feed Drive Eccentric (Upper), C. Set	送料具提升偏心輪 (上) 組	1
19	A0723	Feed Drive Connection (Lower)	送料具驅動連桿 (下)	1
20	A0920	Feed Drive Connection Ball	送料具驅動連桿球	1
21	A0921	Steady Washer	穩定墊片	1
22	A0922	Washer	墊片	1
23	A0828	Nut	螺帽	1
24	B0924	Pin	固定銷	2
25	A0925	Feed Drive Shaft	送料具驅動軸	1
26	A0926	Feed Drive/Looper Avoid Lever	送料具槓桿	1
27	A0927	Feed Rocker Shaft Bushing	送料具搖桿軸套筒	1
28	A0928	Screw (3/16-32x10.5)	螺絲	1
29	A0939	Feed Drive Eccentric (Lower), C. Set	送料具提升偏心輪 (下) 組	1
30	A0930	Looper Avoid Connecting Rod, C. Set	勾針運動連桿組	1
31	A0931	Screw (7/32-32x10)	螺絲	2
32	A0932	Looper Avoid Connecting Rod Bushing	連桿軸承襯套	2
33	A0933	Needle Bearing	軸承	2
34	A0934	Looper Avoid Connecting Rod	勾針運動連桿	1
35	A0935	Looper Aviod Adjusting Nut	調整螺帽	1
36	A0936	Feed Lift Connection (Upper), C. Set	送料具提升連桿 (上) 組	1
37	A0937	Feed Lift Connection (Lower), C. Set	送料具提升連桿 (下) 組	1

10

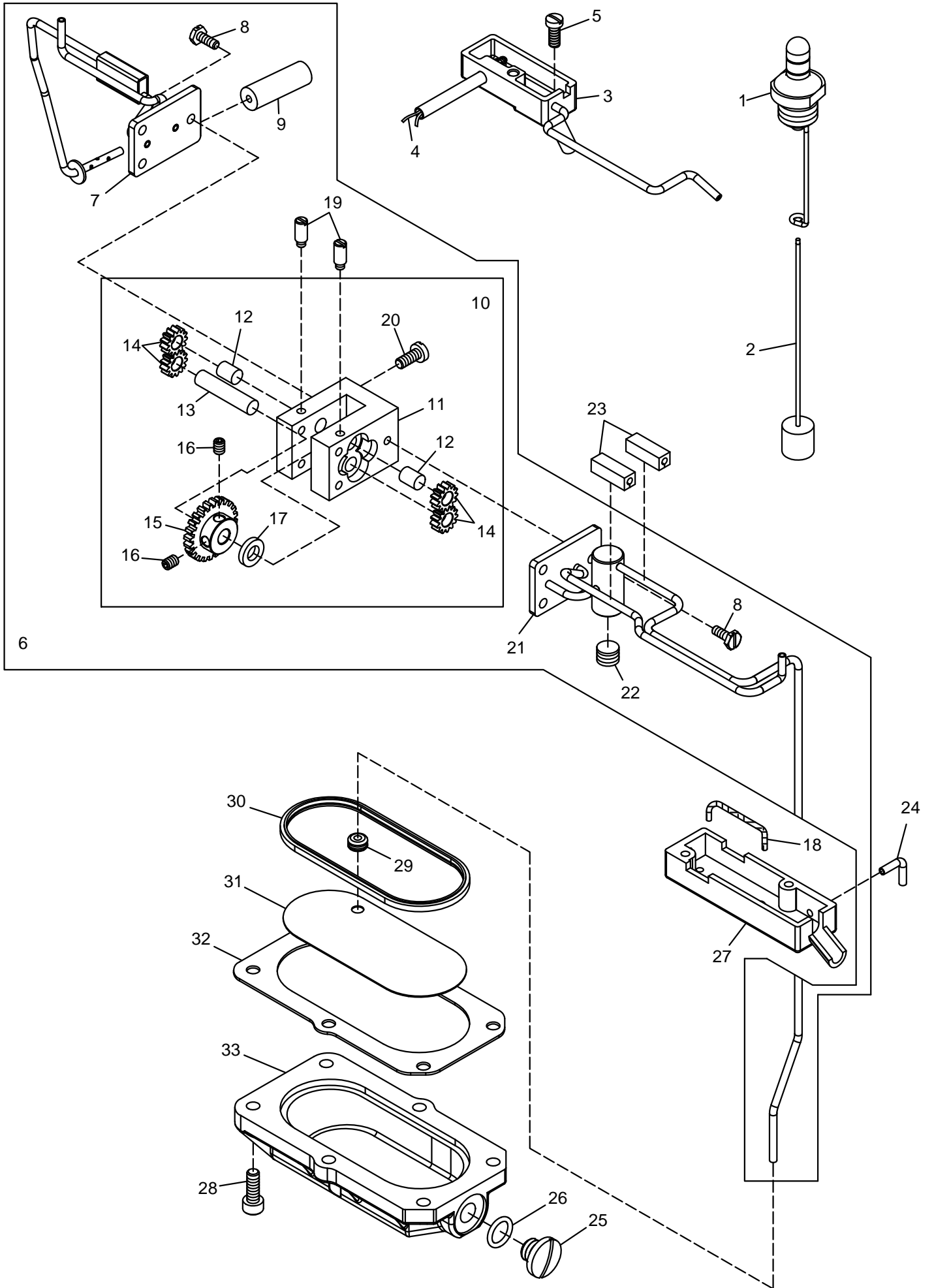


FEED DEIVING MECHANISM

料具調節機構

10

Ref.N	Parts.No	Description	品名	Amt.Reg
1	A1001	Feed Bar, C.Set	送料具固定座組	1
2	A1002	Main Feed Bar	主送料具固定座	1
3	A1003	Differential Feed Bar	差動送料具固定座	1
4	A1004	Feed Bar Plate	送料具固定座片	2
5	A1005	Screw (11/64-40x18.3)	螺絲	4
6	A1006	Screw (11/64-40x6.4)	螺絲	1
7	F62001	Differential Feed Dog	差動齒	1
8	R62001	Main Feed Dog	主齒	1
9	A1009	Screw (11/64-40x8)	螺絲	2
10	A1010	Needle Guard (Rear)	頂針片(後)	1
11	A1011	Screw (1/8-44x4.8)	螺絲	1
12	A1012	Feed Bar Eccentric Pin	送料具偏心銷	1
13	A0508	Screw (11/64-40x5.8)	螺絲	1
14	A1014	O-ring (P8)	O型橡膠環	1
15	A0340	Screw(1/8-44x4.5)	螺絲	1
16	A1016	Feed Bar Slide Block	送料具滑塊	1
17	A1017	Feed Rocker Link Bushing	送料具搖桿套筒	3
18	A1018	Screw (7/32-32x6.5)	螺絲	2
19	A1019	Main Feed Bar Driving Link	主送料具固定座驅動桿	1
20	A1020	Feed Rocker Link Pin	送料具搖桿插銷	2
21	A1021	Differential Feed Bar Driving Link	差動送料具驅動桿	1
22	A1022	Screw (7/32-32x5)	螺絲	1
23	A1023	Feed Rocker	送料具搖桿	1
24	A1024	Differential Feed Bar Driving Link Slider	差動送料具調整滑塊	1
25	A1025	Screw (7/32-32x4.6)	螺絲	1
26	A1026	Differential Feed Adjusting Link	差動送料具調節桿	1
27	A1027	Screw (11/64-40x6.6)	螺絲	1
28	A1028	Differential Feed Adjusting Lever	差動送料具調節槓桿	1
29	A1029	O-ring (P9)	O型橡膠環	1
30	A1030	Feed Rocker Shaft	送料具搖桿軸	1
31	A0836	Screw (M5-0.8x8)	螺絲	2
32	A0927	Feed Rocker Shaft Bushing	送料具搖桿軸套筒	1
33	A1033	Feed Rocker Link	送料具搖桿連桿	1
34	A1034	Screw (7/32-32x10.5)	螺絲	1
35	A1035	Feed Adjusting Nut	送料具調節螺帽	1
36	A1036	Differential Feed Adjusting Lever (Middle)	差動送料具調節槓桿 (中)	1
37	A1037	O-ring (P6)	O型橡膠環	1
38	A1038	Differential Feed Adjusting Dial Gasket	差動調節標度盤墊片	1
39	A1039	Differential Feed Adjusting Dial	差動送料具調節標度盤	1
40	A0214	Screw (9/64-40x7.7)	螺絲	4
41	A1041	Spacer(Fiber)	墊片 (纖維)	1
42	A1042	Corrugated Washer	波狀墊片	1
43	A1043	Differential Feed Operating Lever	差動送料具操作桿	1
44	A1044	Screw(M3-0.5x2.8)	螺絲	2
45	A1045	Nut	螺帽	2
46	A1046	Screw(1/8-44x4)	螺絲	1
47	B10047	Main Feed Dog, C. Set	主齒組	1

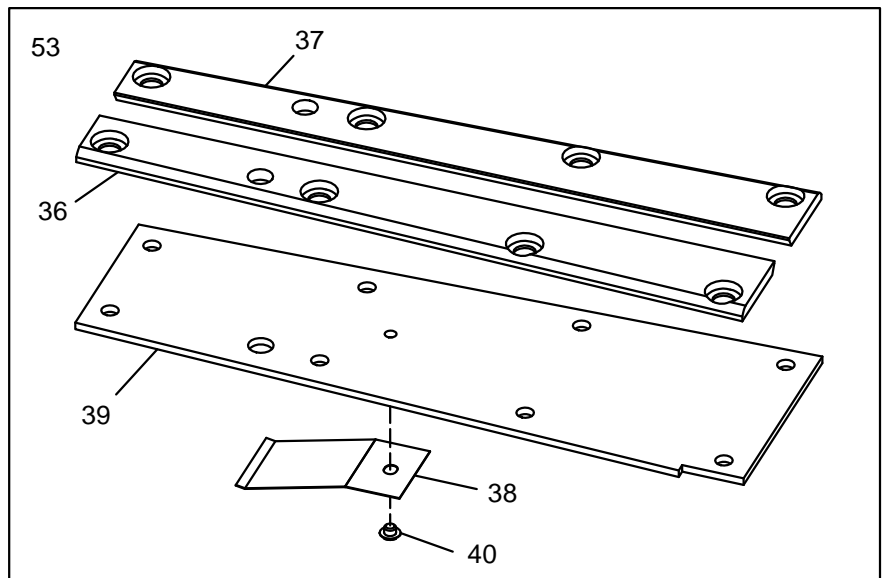
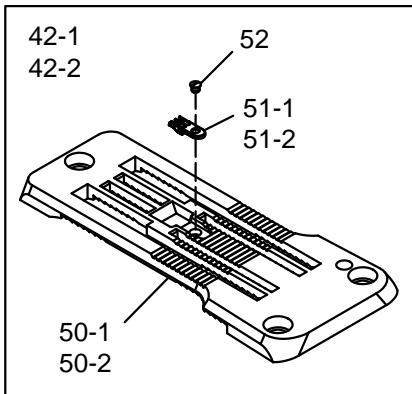
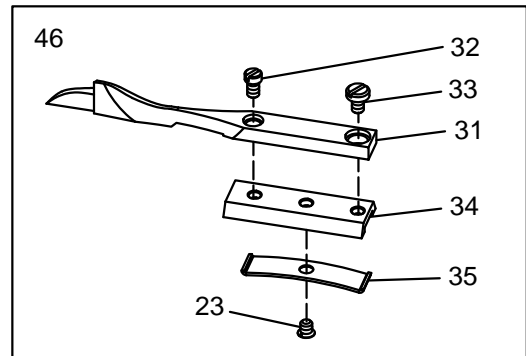
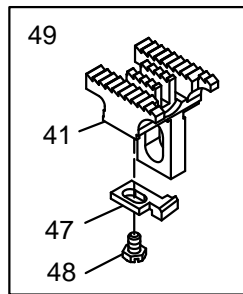
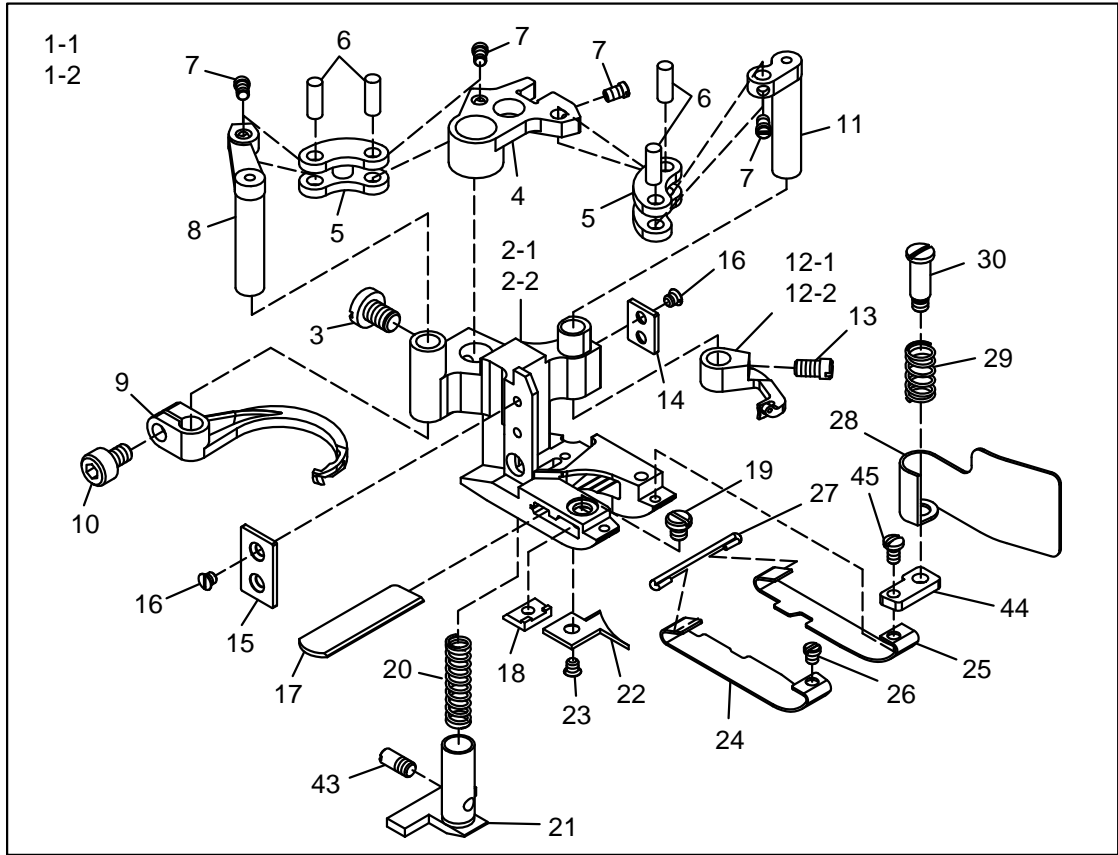


LUBRICATING MECHANISM

給油機構

11

Ref.No	Parts.No	Description	品名	Amt.Req.
1	A1101	Crank Chamber Oil Gauge Unit	油錶	1
2	A1102	Oil Height Indicator	油量指示棒	1
3	B11103	Oil Receiver (Rear)	油量接收器 (後)	1
4	A1104	Oil Wick	油芯	1
5	A0103	Screw (11/64-40x10)	螺絲	1
6	B11106	Pump, C. Set	油泵組	1
7	B11107	Pump Housing Cover (Rear) Unit	吸油管組 (後)	1
8	A1108	Screw (9/64-40x9.7)	螺絲	6
9	A1109	In-take Filter	吸油氈	1
10	A1110	Pump, C. Set	油泵組	1
11	A1111	Pump Housing	油泵室	1
12	A1112	Pump Gear Shaft (Short)	油泵齒輪 (短)	2
13	A1113	Pump Gear Shaft (Long)	油泵齒輪 (長)	1
14	A1114	Oil Pump Gear	油泵齒輪	4
15	A1115	Pump Driven Gear	油泵驅動齒輪	1
16	A0508	Screw (11/64-40x5.8)	螺絲	2
17	A0428	Oil Seal	油封	1
18	B1218	Oil Wick	油蕊	1
19	A1119	Screw (9/64-40x3)	螺絲	2
20	A1120	Screw (11/64-40x10)	螺絲	2
21	B11121	Pump Housing Cover (Front) Unit	吸油管組 (前)	1
22	A1122	Screw (M10-1.5x6.1)	螺絲	1
23	A1142	Oil Tube Support	防油套	2
24	A1137	Copper Tube	銅管	1
25	A0129	Drain Hole Screw (3/8-24x8)	止油螺絲	1
26	A0105	O-ring (P10)	O型橡膠環	1
27	A1127	Oil Receiver (Front)	油量接收器 (前)	1
28	A0646	Screw (M5-0.8x14)	螺絲	6
29	A1129	Rubber Bushing	橡膠套筒	1
30	A1130	Oil Filter Screen Rubber Seal	過濾油網橡膠油封	1
31	A1131	Oil Filter Screen	過濾油網	1
32	A1132	Oil Reservoir Gasket	油槽防油墊	1
33	A1133	Oil Reservoir	油槽	1

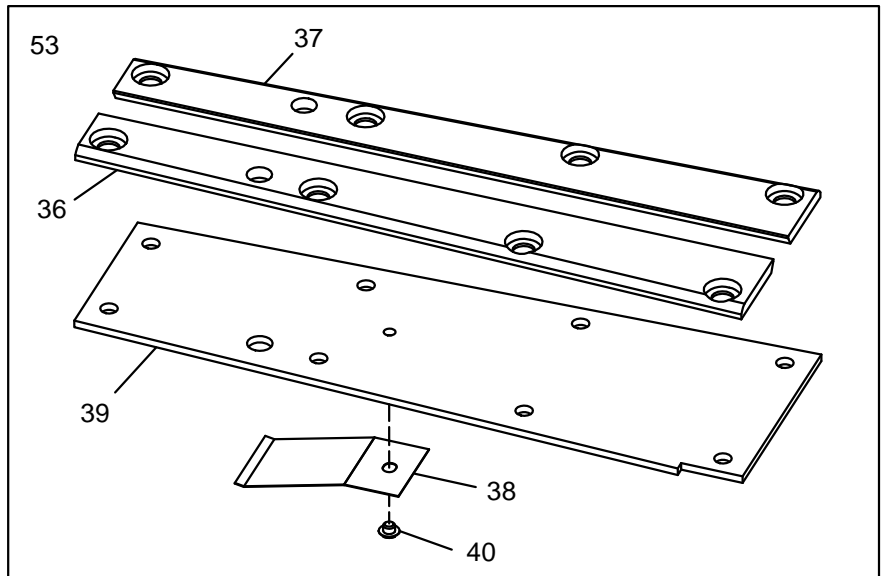
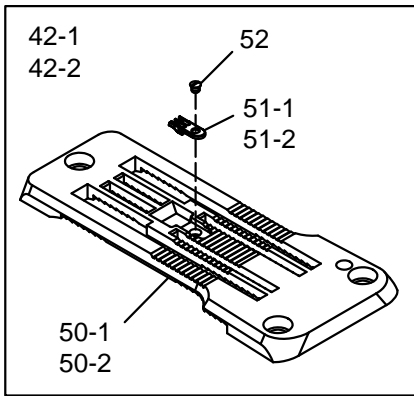
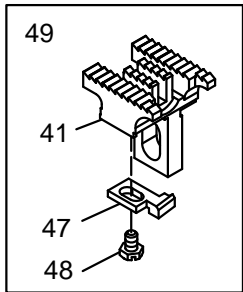
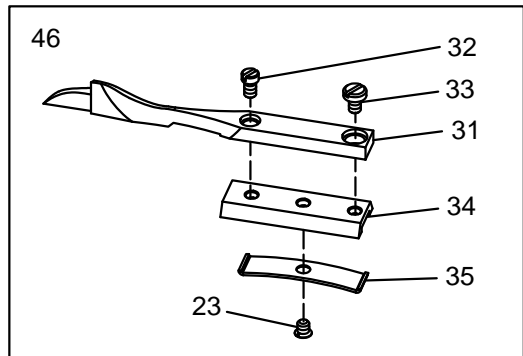
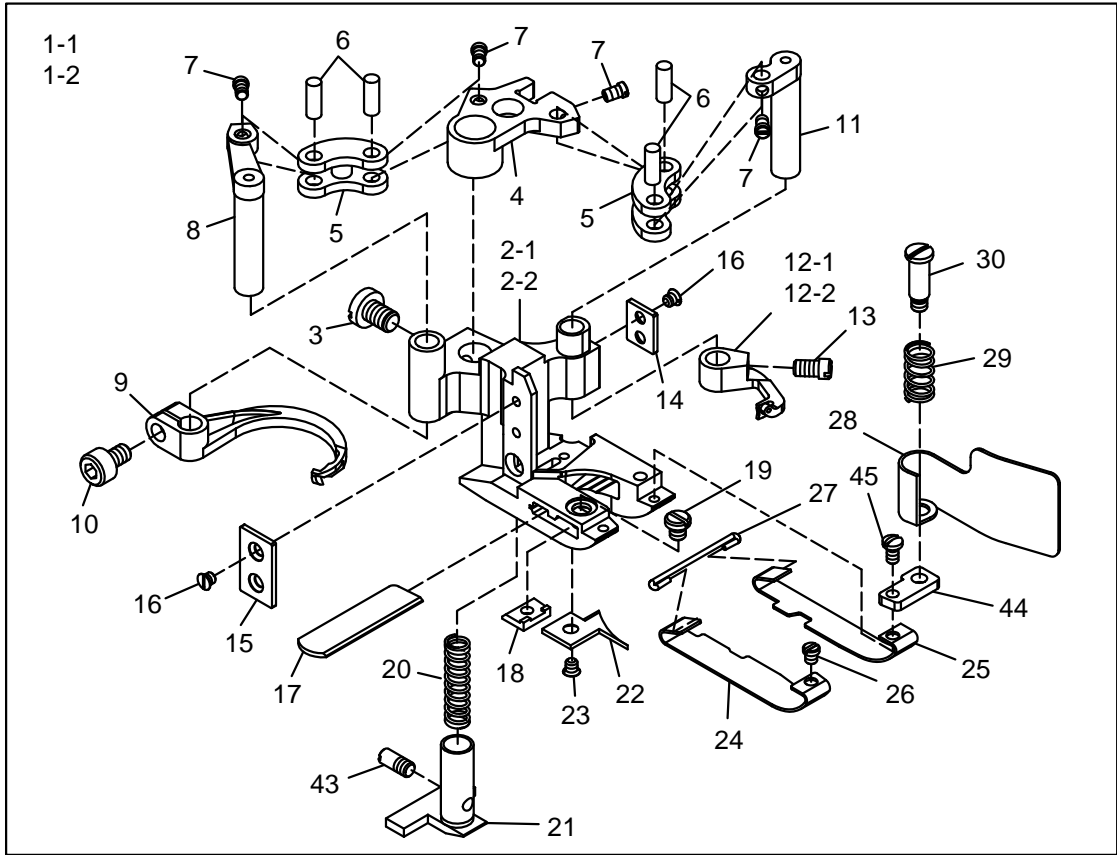


MU62D-452-12, 460-12 EXCLUSIVE PARTS

專用零件

12

Ref.No	Parts.No	Description	品名	Amt.Req.
1-1	P52012	Double Side Cut Presser Foot, C. Set (5.2mr	雙切壓腳組 (5.2mm)	1
1-2	P60012	Double Side Cut Presser Foot, C. Set (6.0mr	雙切壓腳組 (6.0mm)	1
2-1	B52112	Double Side Cut Presser Foot (5.2mm)	雙切壓腳 (5.2mm)	1
2-2	B60112	Double Side Cut Presser Foot (6.0mm)	雙切壓腳 (6.0mm)	1
3	A0616	Screw (11/64-40x6)	螺絲	1
4	A0617	Carrier/Hook Driving Segment	上勾針驅動扇形片	1
5	A0618	Carrier/Hook Driving Lever Link	上勾針驅動連桿	2
6	A0619	Link Pin	連桿插銷	4
7	A0620	Screw (3/32-56x3.3)	螺絲	4
8	A0621	Thread Hook Driving Lever	勾針驅動槓桿	1
9	A0622	Top Cover Thread Hook	上飾線過線勾	1
10	A0623	Screw (9/64-40x6)	螺絲	1
11	A0624	Top Cover Thread Carrier Driving Lever	上飾線托架驅動槓桿	1
12-1	A0625	Top Cover Thread Carrier (5.2mm)	上飾線托架 (5.2mm)	1
12-2	A0669	Top Cover Thread Carrier (6.0mm)	上飾線托架 (6.0mm)	1
13	A0626	Screw (1/8-44x5)	螺絲	1
14	A0627	Presser Foot Attach Piece (Right)	壓腳連接片 (右)	1
15	A0628	Presser Foot Attach Piece (Left)	壓腳連接片 (左)	1
16	A0629	Screw (3/32-56x2.5)	螺絲	4
17	A0630	Lower Knife	下切刀	1
18	A1218	Lower Knife Clamp	下切刀夾板	1
19	A0632	Screw (1/8-44x3.4)	螺絲	1
20	A0633	Yielding Section Spring	小壓具彈簧	1
21	A1221	Yielding Section	小壓具	1
22	A1222	Presser Foot Tongue	壓腳舌片	1
23	A1223	Screw (3/32-56x2.8)	螺絲	2
24	B12124	Presser Foot Spring Plate (Left)	壓腳彈簧片 (左)	1
25	B12125	Presser Foot Spring Plate (Right)	壓腳彈簧片 (右)	1
26	A0638	Screw (3/32-56x2.6)	螺絲	1
27	A0639	Spring Plate Holder	彈簧片固定鐵勾	1
28	A1228	Chip Guard	切角防護片	1
29	A0641	Chip Guard Spring	切角防護片彈簧	1
30	A0642	Screw (1/8-44x3.4)	螺絲	1
31	G62001	Lap Former	前導布器 (薄料用)	1
32	A1232	Screw (3/32-56x3.8)	螺絲	1
33	A1233	Screw (3/32-56x3.8)	螺絲	1
34	A1234	Lap Former Slide Block	前導布器滑塊	1
35	A1235	Lap Former Slide Block Spring	前導布器滑塊彈簧片	1
36	A1236	Lap Former Guide Plate (Left)	前導布器導軌 (左)	1
37	A1237	Lap Former Guide Plate (Right)	前導布器導軌 (右)	1
38	A0219	Dust Defender (Upper)	防塵蓋 (上)	1
39	A1239	Sewing Cylinder Cover (Upper)	上蓋板	1
40	A0220	Screw (3/32-56x2.1)	螺絲	1
41	R62002	Main Feed Dog	主齒	1
42-1	S62252	Stitch Plate, C. Set (5.2mm)	針板組 (5.2mm)	1
42-2	S62260	Stitch Plate, C. Set (6.0mm)	針板組 (6.0mm)	1
43	A0506	Screw (1/8-44x5.3)	螺絲	1
44	A0635	Chip Guard Plate	切角防護片座	1
45	A0664	Screw (3/32-56x4.3)	螺絲	1
46	B12046	Lap Former, C. Set	前導布器組 (薄料用)	1
47	A1010	Needle Guard (Rear)	頂針片(後)	1
48	A1011	Screw (1/8-44x4.8)	螺絲	1
49	B12049	Main Feed Dog, C. Set	主齒組	1

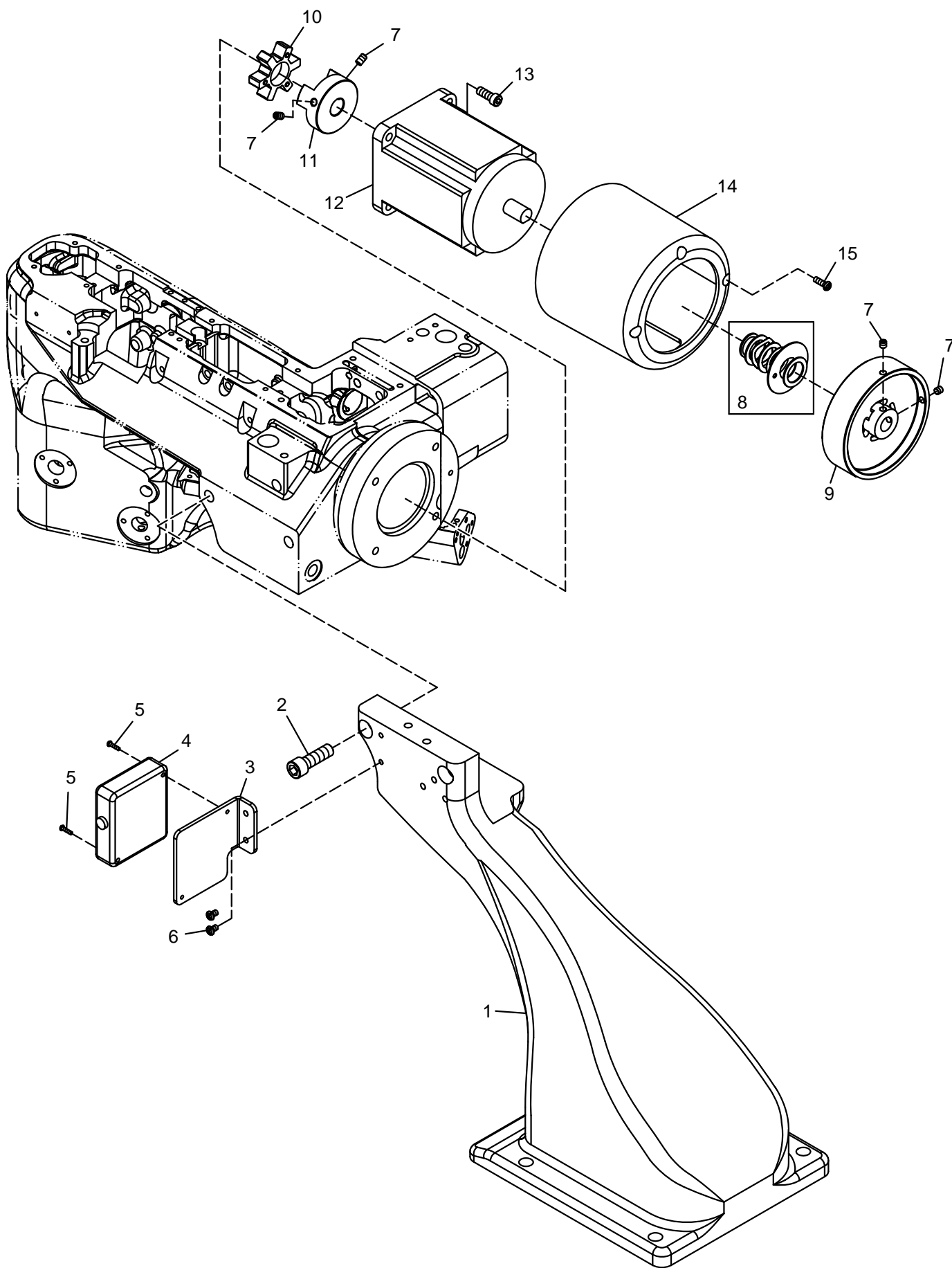


MU62D-452-12, 460-12 EXCLUSIVE PARTS

專用零件

12

Ref.No	Parts.No	Description	品 名	Amt.Req.
50-1	B12050	Stitch Plate (5.2mm)	針板 (5.2mm)	1
50-2	B19042	Stitch Plate (6.0mm)	針板 (6.0mm)	1
51-1	S62052	Stitch Plate Tongue (5.2mm)	針板舌片 (5.2mm)	1
51-2	S62060	Stitch Plate Tongue (6.0mm)	針板舌片 (6.0mm)	1
52	A0546	Screw (3/32-56x2.5)	螺絲	1
53	B12053	Sewing Cylinder Cover (Upper), C. Set	上蓋板組	1

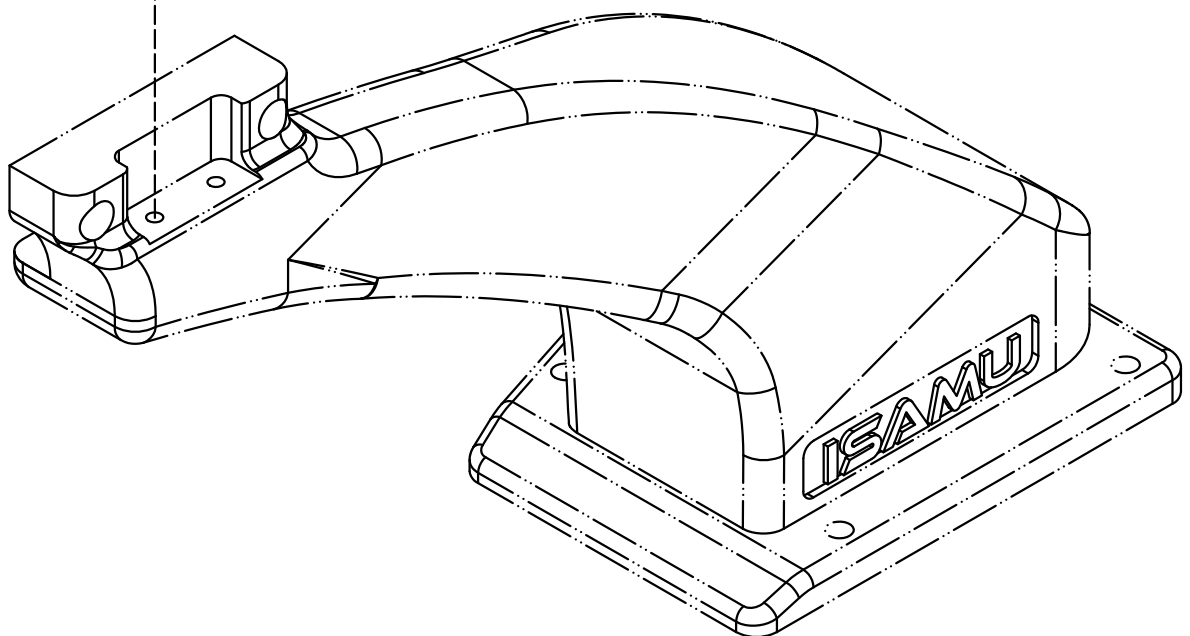
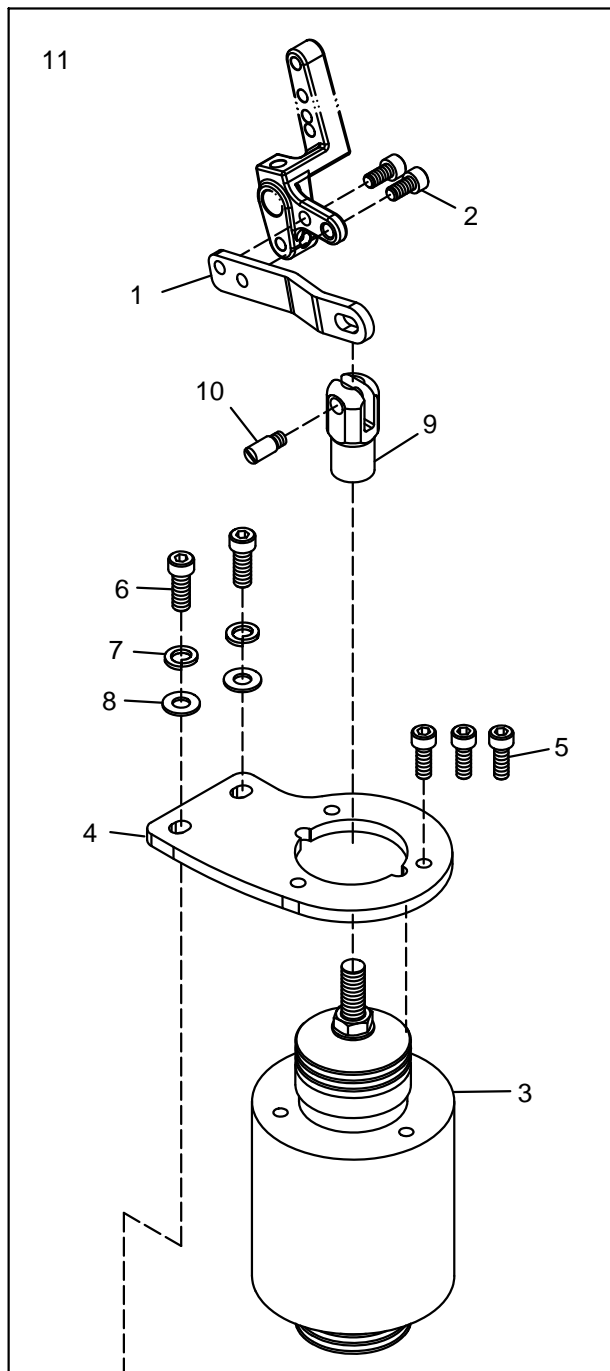


SV DEVICE

伺服馬達機構

13

Ref.No	Parts.No	Description	品名	Amt.Req.
1	B13401	Sewing Maching Supprting Block	機座	1
2	A1302	Screw (3/8-16x30)	螺絲	2
3	B2520	Handwheel Support	手輪支架	1
4	B13104	Electron Handwheel	電子手輪	1
5	B13105	Screw (M3-0.5x15)	螺絲	1
6	C01025	Screw (M4-0.7x8)	螺絲	2
7	A0836	Screw (M5-0.8x8)	螺絲	4
8	B1314	Sensor Plate, C. Set	感應板組	1
9	A1309	Handwheel	馬達手輪	1
10	B1310	Coupling (Middle)	聯軸器 (中)	1
11	B1311	Coupling (Rear)	聯軸器 (後)	1
12	B1312	Servo Moter	伺服馬達	1
13	B1313	Screw (M6-1x16)	螺絲	4
14	B2567	Motor Cover	馬達蓋	1
15	C01011	Screw (M4-0.7x10)	螺絲	3

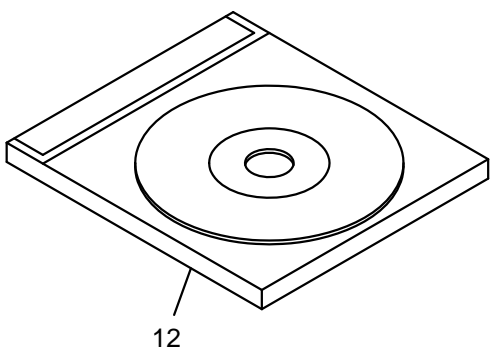
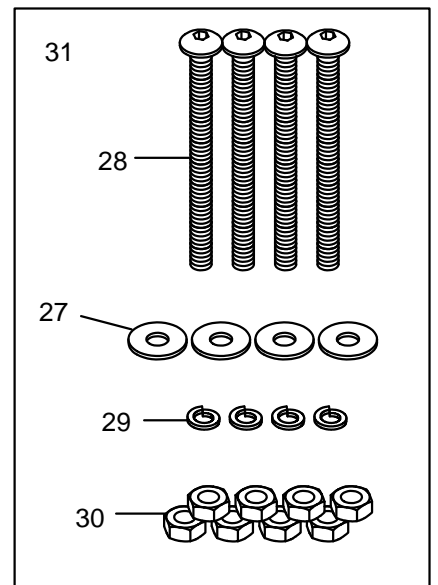
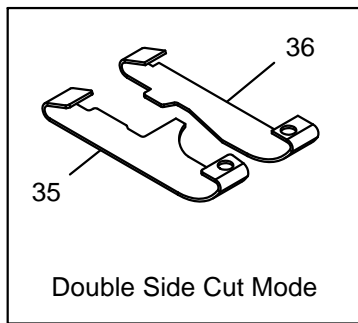
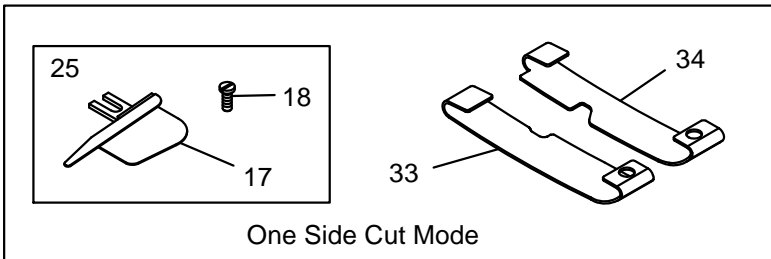
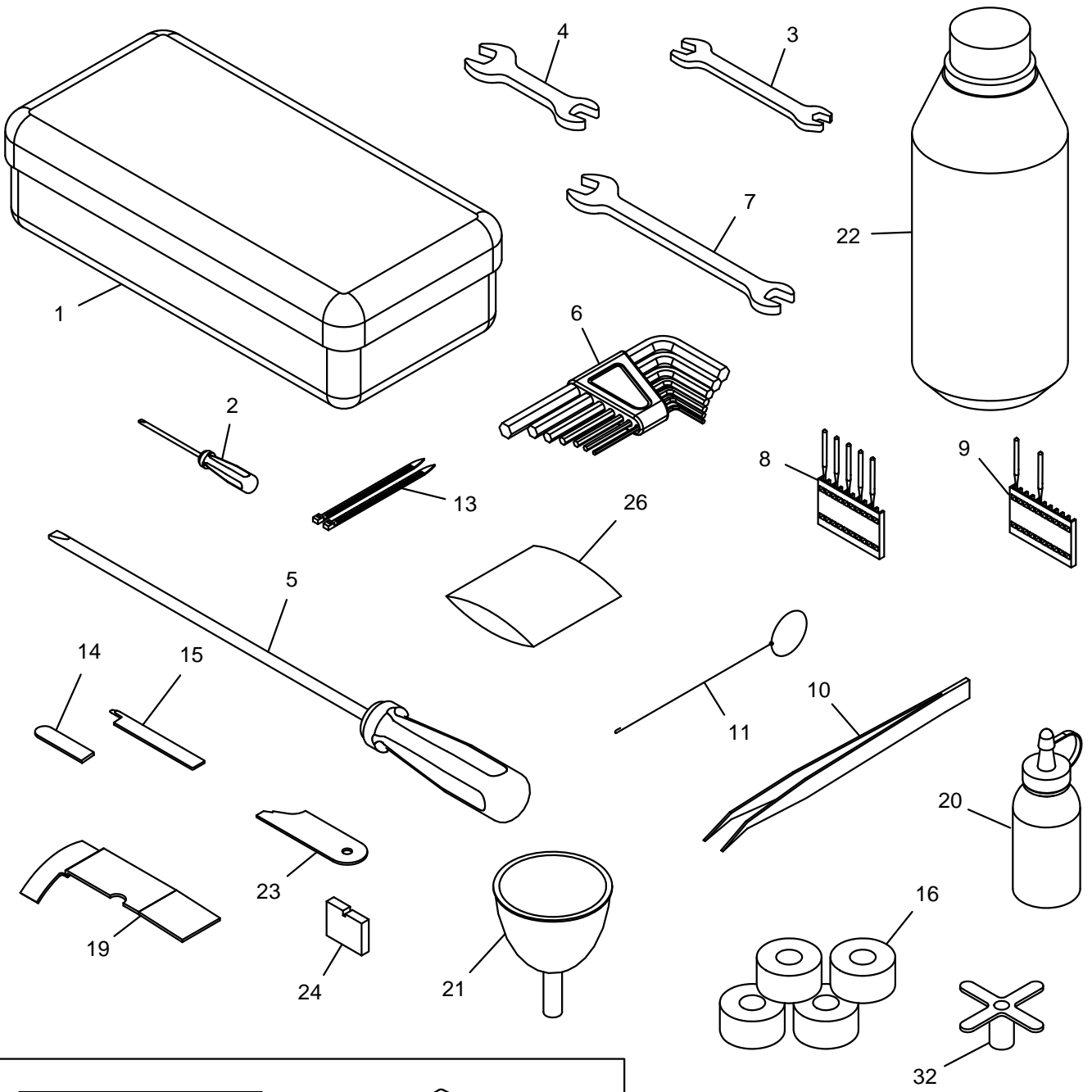


ET DEVICE

電動抬壓腳機構

14

Ref.No	Parts.No	Description	品名	Amt.Req.
1	B14201	Presser Bar Lifter Lever	抬壓腳連桿	1
2	B1402	Screw (M5-0.8x10)	螺絲	2
3	B14103	Electromagnet	電磁鐵	1
4	B14304	Support Plate	固定板	1
5	A0646	Screw (M5-0.8x14)	螺絲	3
6	B1313	Screw (M6-1x16)	螺絲	2
7	B1435	Spring Washer	彈簧墊片	2
8	B2522	Washer	墊片	2
9	B14109	"Y" Joint	Y接頭	1
10	B1410	Screw (M5-0.8x5)	螺絲	1
11	B14211	Electromagnet, C. Set	電磁鐵組	1

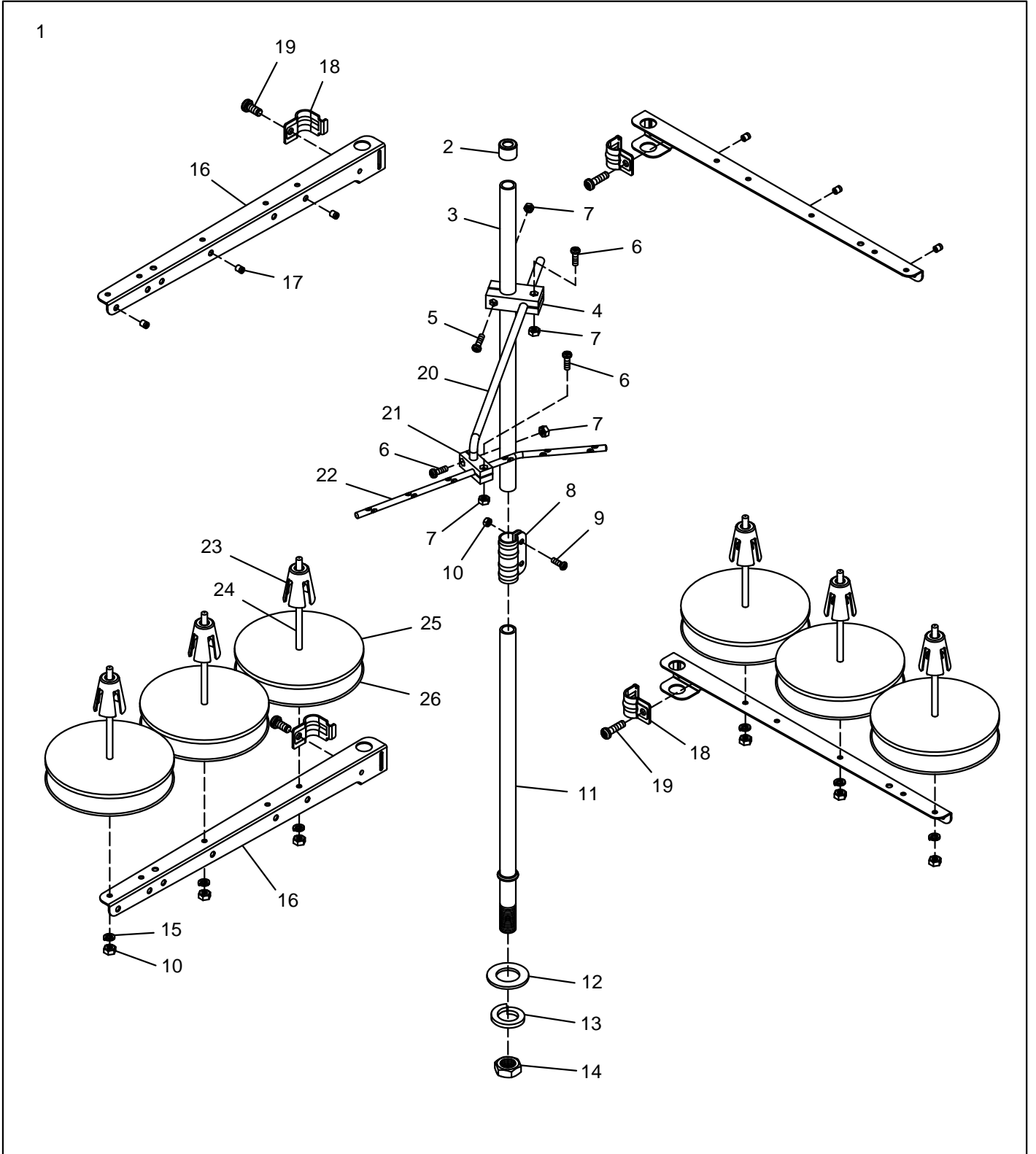


ATTACHMENT

附件

15

Ref.No	Parts.No	Description	品 名	Amt.Req.
1	B1501	Attachment Box	附件盒	1
2	B1502	Screwdriver	螺絲起子	1
3	B15103	Wrench (5.5mm-7mm)	板手 (5.5mm-7mm)	1
4	B15104	Wrench (8mm-10mm)	板手 (8mm-10mm)	1
5	B1505	Screwdriver	螺絲起子	1
6	C15006	Hexagonal Wrench, C. Set	六角板手組	1
7	B15107	Wrench (8mm-10mm)	板手 (8mm-10mm)	1
8	A0541	Needle	擊針	5
9	A0542	Retainer	假針	1
10	B1510	Thread Tweezers	穿線夾	1
11	B1511	Threading Wire	穿線鐵絲	1
12	A15012	CD	光碟	1
13	A15013	Strap	束帶	1
14	A0630	Lower Knife	下切刀	1
15	A0742	Upper Knife	上切刀片	1
16	C17004	Supporting Board Rubber Cushion	避震墊	4
17	B1517	Folder	導布器	1
18	B1518	Screw (1/8-44x11)	螺絲	1
19	B2508	Parallel Rule	平行定規	8
20	B15120	Oiler	油壺	1
21	B1521	Funnel	漏斗	1
22	B15122	Oil	潤滑油	1
23	B2505	Distance Rule	退距定規	1
24	B2506	Height Rule	高度定規	1
25	B1525	Folder , C. Set	導布器組	1
26	B1526	Drier	乾燥劑	1
27	B15127	Washer	墊片	4
28	B15228	Screw (M8-1.25x100)	螺絲	4
29	B15129	Spring Washer	彈簧墊片	4
30	B15130	Nut	螺帽	8
31	B15131	Screw, C. Set	螺絲包	1
32	B15132	Stable Cap	穩定套	6
33	A0636	Presser Foot Spring Plate (Left)	壓腳彈簧片 (左)	1
34	A0668	Presser Foot Spring Plate (Right)	壓腳彈簧片 (右)	1
35	B12124	Presser Foot Spring Plate (Left)	壓腳彈簧片 (左)	1
36	B12125	Presser Foot Spring Plate (Right)	壓腳彈簧片 (右)	1

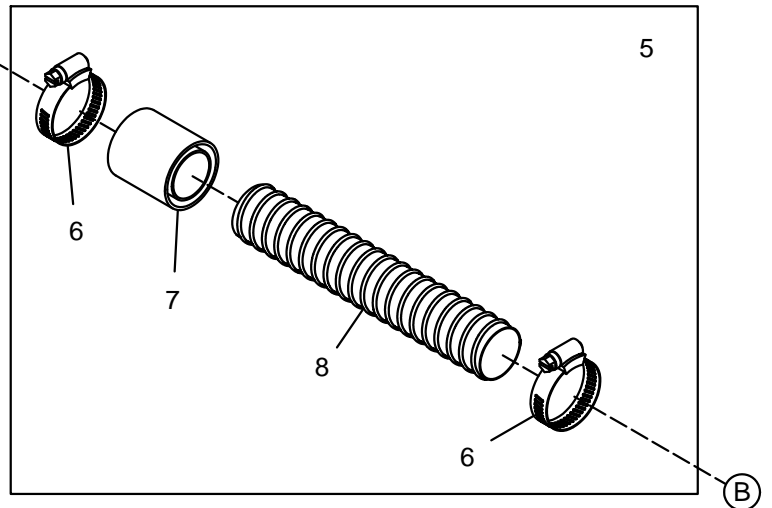
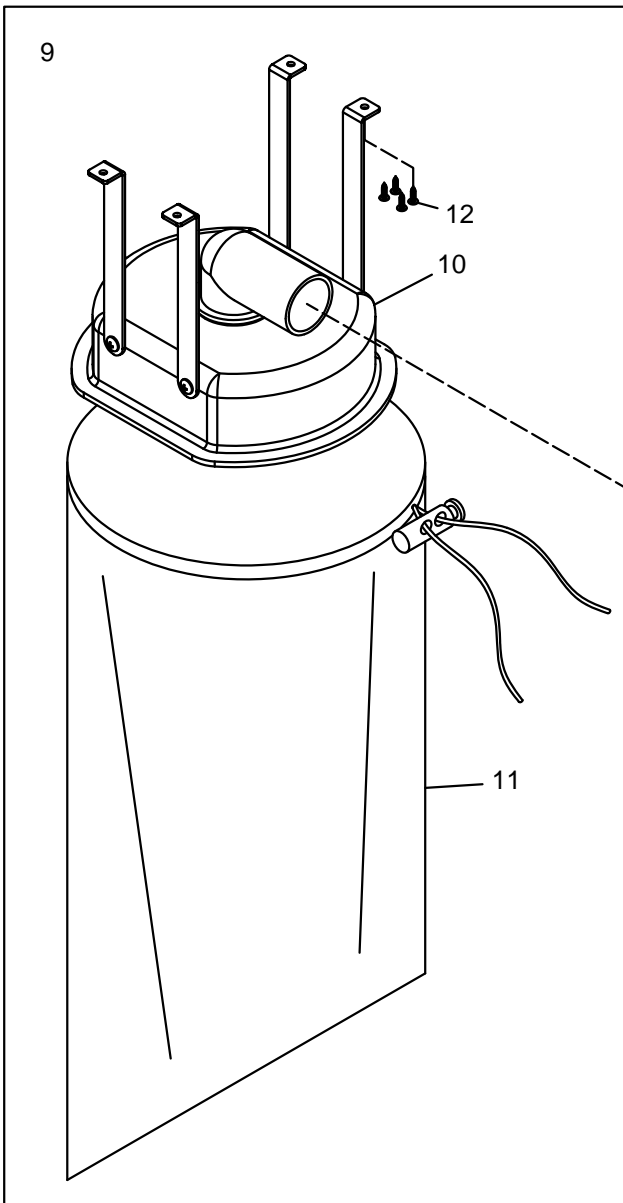
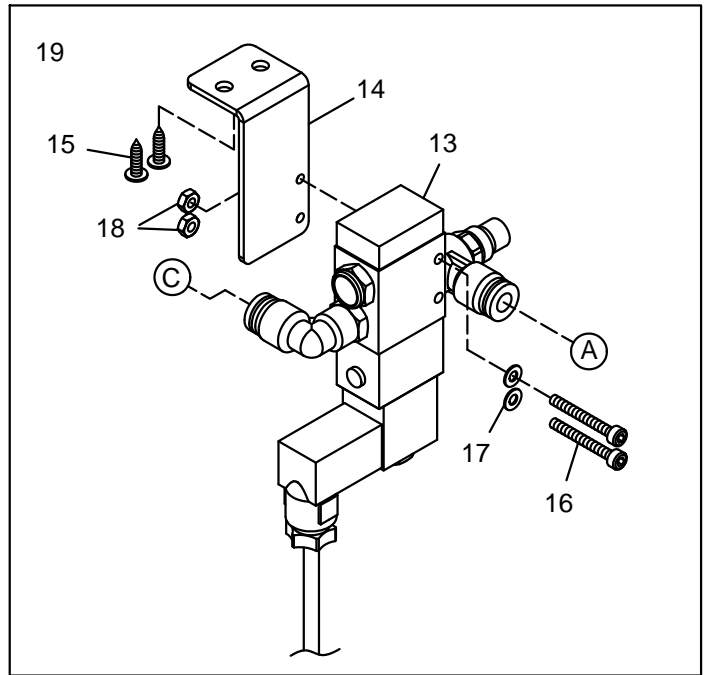
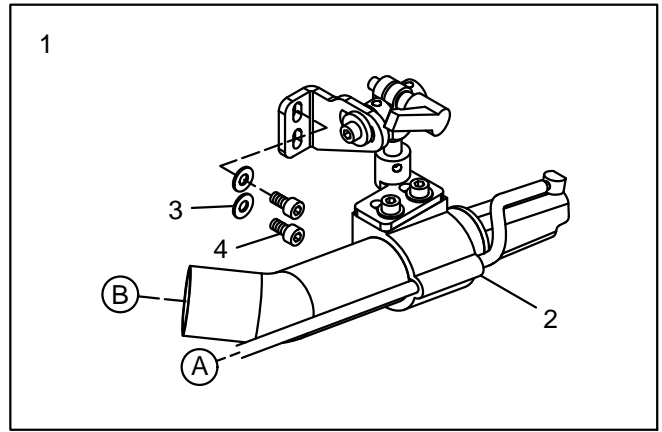
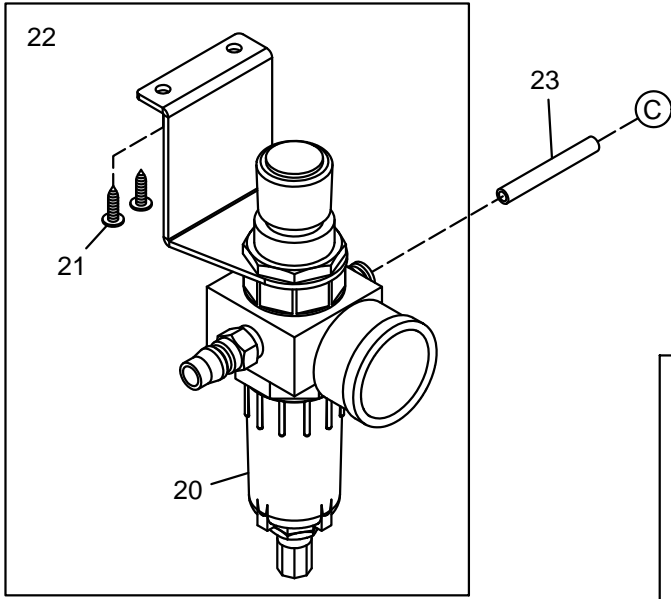


THREAD STAND

線架組

16

Ref.No	Parts.No	Description	品名	Amt.Req.
1	B16001	Thread Stand, C. Set(6 Spools Type)	線架(六線用)	1
2	B16002	Column Cap	柱頭蓋	1
3	B16003	Column Pipe(Upper)	上線柱	1
4	B16004	Thread Guide Holder(Large)	過線桿固定座(大)	1
5	B16005	Screw(M4-0.7×20)	螺絲	1
6	B16006	Screw(M4-0.7×12)	螺絲	3
7	B16007	Nut	螺帽	4
8	B16008	Column Pipe Connector	線柱接頭	1
9	B16009	Screw(M5-0.8×13)	螺絲	2
10	B16010	Nut	螺帽	8
11	B16011	Column Pipe(Lower)	下線柱	1
12	B16012	Washer	墊片	1
13	B16013	Spring Washer	彈簧墊片	1
14	B16014	Nut	螺帽	1
15	B16015	Spring Washer	彈簧墊片	6
16	B16016	Thread Hanger(3 Spools Type)	3孔過線吊臂	4
17	B16017	Thread Eyelet	過線孔	6
18	B16018	Thread Hanger Holder	過線吊臂固定座	4
19	B16019	Screw(M6-1×15)	螺絲	4
20	B16020	Thread Guide Arm	過線桿連接臂	1
21	B16021	Thread Guide Holder(Small)	過線固定座(小)	1
22	B16022	Thread Guide	過線孔	1
23	B16023	Spool Cushion	線軸避震座	6
24	B16024	Spool Pin	線軸柱	6
25	B16025	Spool Mat	線軸墊	6
26	B16026	Spool Seat Disc	線軸底盤	6

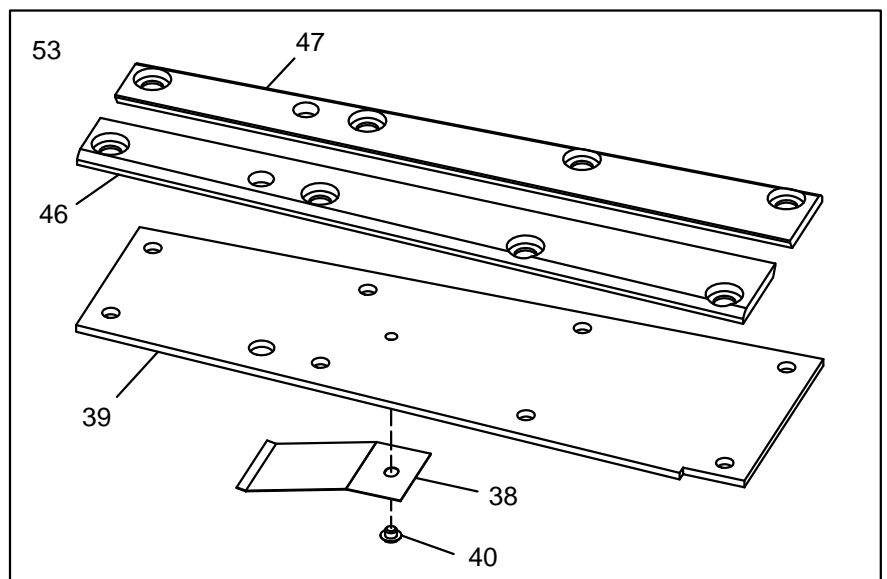
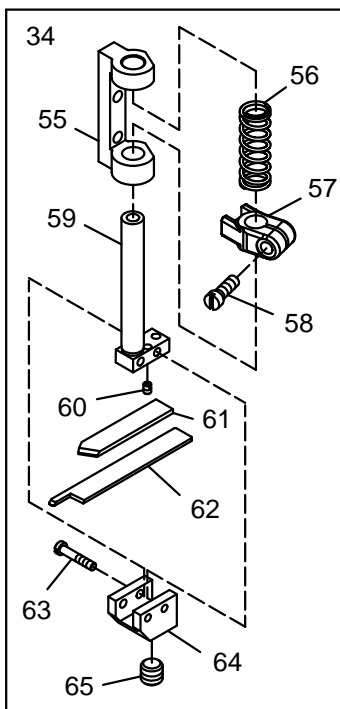
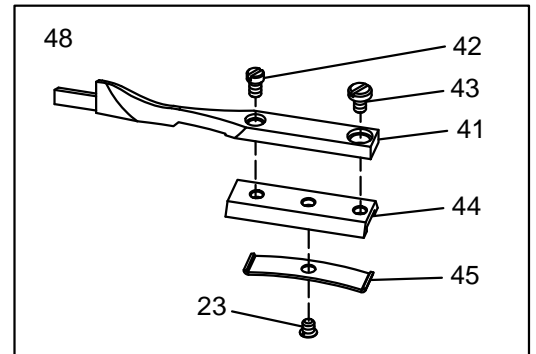
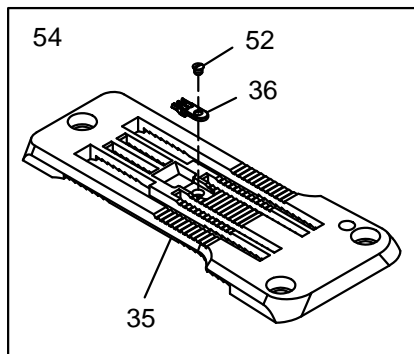
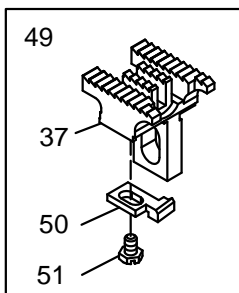
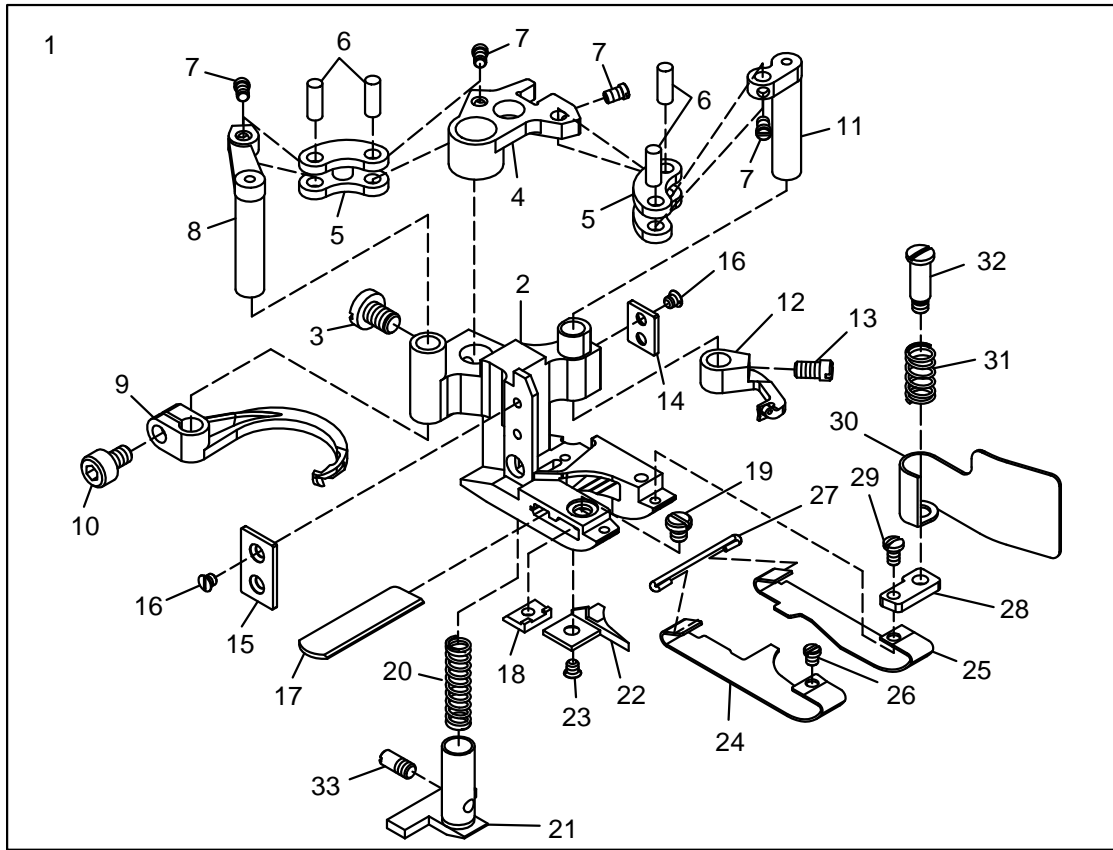


SC3 DEVICE

吸布屑組

17

Ref.No	Parts.No	Description	品名	Amt.Req.
1	B17101	Suction Pipe Unit, C. Set	吸布管組	1
2	B17102	Suction Pipe Unit	吸布管	1
3	B17103	Washer	墊片	2
4	B17104	Screw(M5-0.8x10)	螺絲	2
5	B17005	Take Over, C. Set	接管組	1
6	B17006	Hose Band	管束	2
7	B17007	Take Over	轉接頭	1
8	B17008	Spiral Pipe	螺旋管	1
9	B17009	Waste Gather System, C. Set	集布袋組	1
10	B17010	Waste Gather Cover	集布蓋	1
11	B17011	Waste Gather Bag	集布袋	1
12	B17012	Wood Screw	螺絲	4
13	B17213	Solenoid Valve, C. Set	電磁閥組	1
14	U05012	Solenoid Valve Support	電磁閥架	1
15	B17015	Wood Screw	螺絲	2
16	U05014	Screw (M3-0.5x25)	螺絲	2
17	C04052	Washer	墊片	2
18	U05006	Nut	螺帽	2
19	B17219	Solenoid Valve, C. Set	電磁閥組	1
20	B22114	Filter Regulator	調壓過濾器	1
21	B22115	Wood Screw	螺絲	2
22	B22213	Filter Regulator, C. Set	調壓過濾器組	1
23	B22125	Air Tube (4x6x200mm)	PU管	1

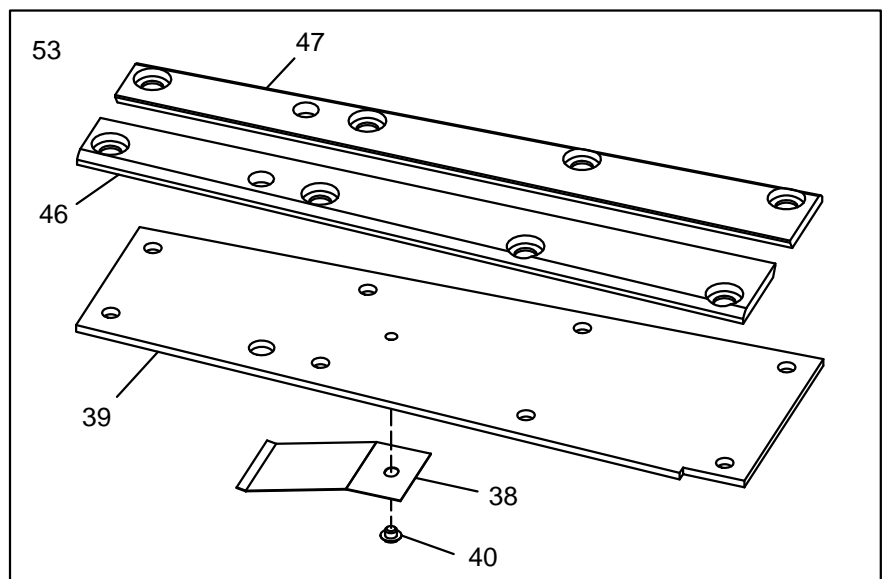
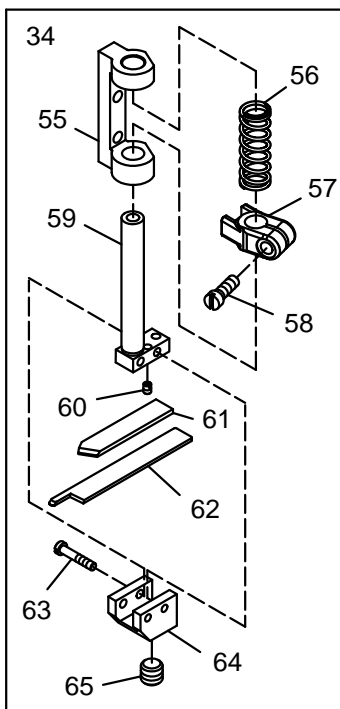
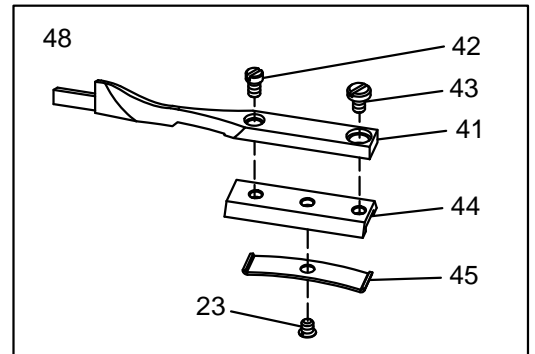
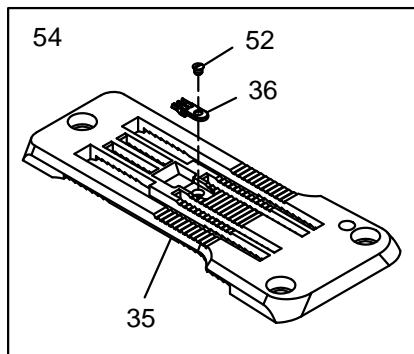
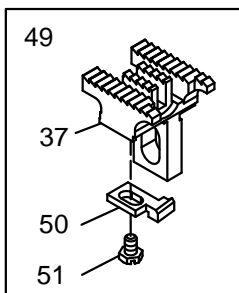
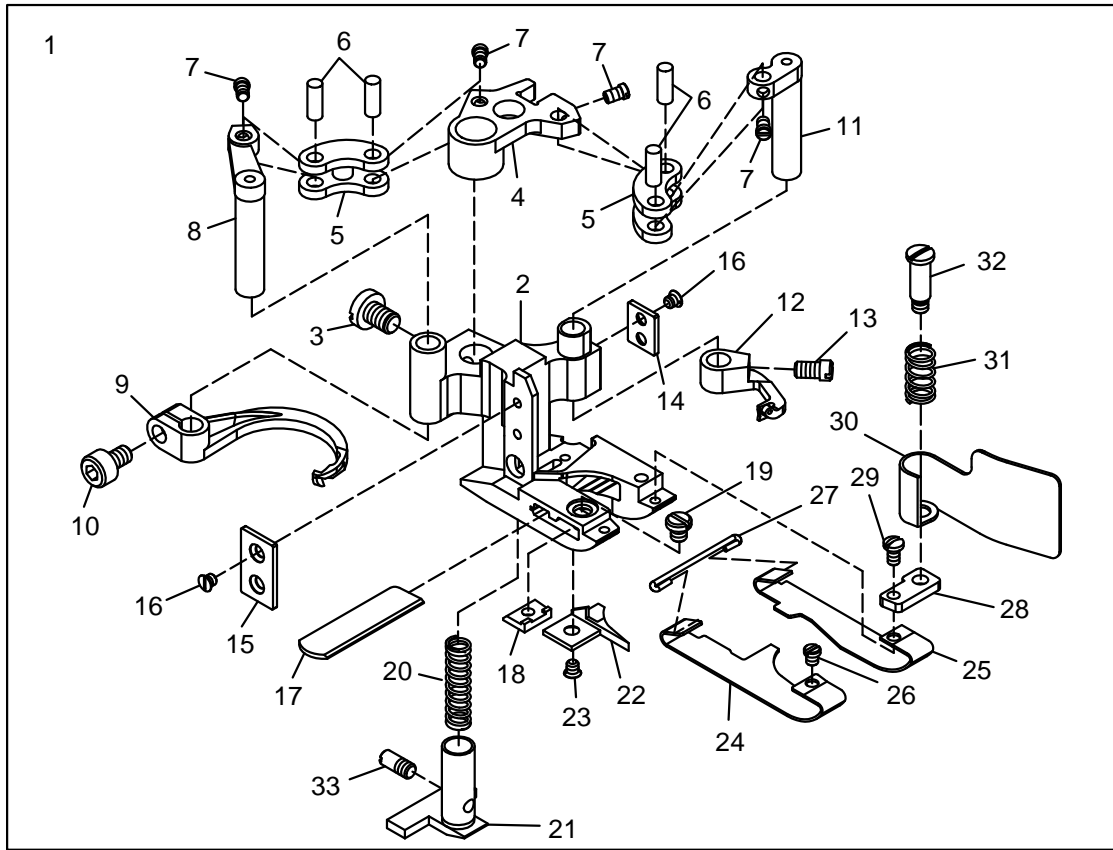


MU62D-460-10H EXCLUSIVE PARTS

專用零件

18

Ref.No	Parts.No	Description	品名	Amt.Req.
1	P60H10	Double Side Cut Presser Foot, C. Set (6.0mr	雙切壓腳組 (6.0mm)	1
2	B60110H	Double Side Cut Presser Foot	雙切壓腳	1
3	A0616	Screw (11/64-40x6)	螺絲	1
4	A0617	Carrier/Hook Driving Segment	上勾針驅動扇形片	1
5	A0618	Carrier/Hook Driving Lever Link	上勾針驅動連桿	2
6	A0619	Link Pin	連桿插銷	4
7	A0620	Screw (3/32-56x3.3)	螺絲	4
8	A0621	Thread Hook Driving Lever	勾針驅動槓桿	1
9	A0622	Top Cover Thread Hook	上飾線過線勾	1
10	A0623	Screw (9/64-40x6)	螺絲	1
11	A0624	Top Cover Thread Carrier Driving Lever	上飾線托架驅動槓桿	1
12	A0669	Top Cover Thread Carrier (6.0mm)	上飾線托架 (6.0mm)	1
13	A0626	Screw (1/8-44x5)	螺絲	1
14	A0627	Presser Foot Attach Piece (Right)	壓腳連接片 (右)	1
15	A0628	Presser Foot Attach Piece (Left)	壓腳連接片 (左)	1
16	A0629	Screw (3/32-56x2.5)	螺絲	4
17	B1917	Lower Knife	下切刀	1
18	A1218	Lower Knife Clamp	下切刀夾板	1
19	A0632	Screw (1/8-44x3.4)	螺絲	1
20	A0633	Yielding Section Spring	小壓具彈簧	1
21	A1221	Yielding Section	小壓具	1
22	B1922	Presser Foot Tongue	壓腳舌片	1
23	A1223	Screw (3/32-56x2.8)	螺絲	2
24	B1924	Presser Foot Spring Plate (Left)	壓腳彈簧片 (左)	1
25	B1925	Presser Foot Spring Plate (Right)	壓腳彈簧片 (右)	1
26	A0638	Screw (3/32-56x2.6)	螺絲	1
27	A0639	Spring Plate Holder	彈簧片固定鐵勾	1
28	A0635	Chip Guard Plate	切角防護片座	1
29	A0664	Screw (3/32-56x4.3)	螺絲	1
30	A1228	Chip Guard	切角防護片	1
31	A0641	Chip Guard Spring	切角防護片彈簧	1
32	A0642	Screw (1/8-44x3.4)	螺絲	1
33	A0506	Screw (1/8-44x5.3)	螺絲	1
34	B2101	Knife Holder Guide Collar, C. Set	活動刀組	1
35	B19042	Stitch Plate (6.0mm)	針板 (6.0mm)	1
36	S62060	Stitch Plate Tongue (6.0mm)	針板舌片 (6.0mm)	1
37	R62002	Main Feed Dog	主齒	1
38	A0218	Screw (1/8-44x6.5)	螺絲	8
39	A1239	Sewing Cylinder Cover (Upper)	上蓋板	1
40	A0220	Screw (3/32-56x2.1)	螺絲	1
41	G62002	Lap Former	前導布器 (厚料用)	1
42	A1232	Screw (3/32-56x3.8)	螺絲	1
43	A1233	Screw (3/32-56x3.8)	螺絲	1
44	A1234	Lap Former Slide Block	前導布器滑塊	1
45	A1235	Lap Former Slide Block Spring	前導布器滑塊彈簧片	1
46	A1236	Lap Former Guide Plate (Left)	前導布器導軌 (左)	1
47	A1237	Lap Former Guide Plate (Right)	前導布器導軌 (右)	1
48	B20048	Lap Former, C. Set	前導布器組 (厚料用)	1
49	B12049	Main Feed Dog, C. Set	主齒組	1
50	A1010	Needle Guard (Rear)	頂針片(後)	1
51	A1011	Screw (1/8-44x4.8)	螺絲	1
52	A0546	Screw (3/32-56x2.5)	螺絲	1
53	B12053	Sewing Cylinder Cover (Upper), C. Set	上蓋板組	1

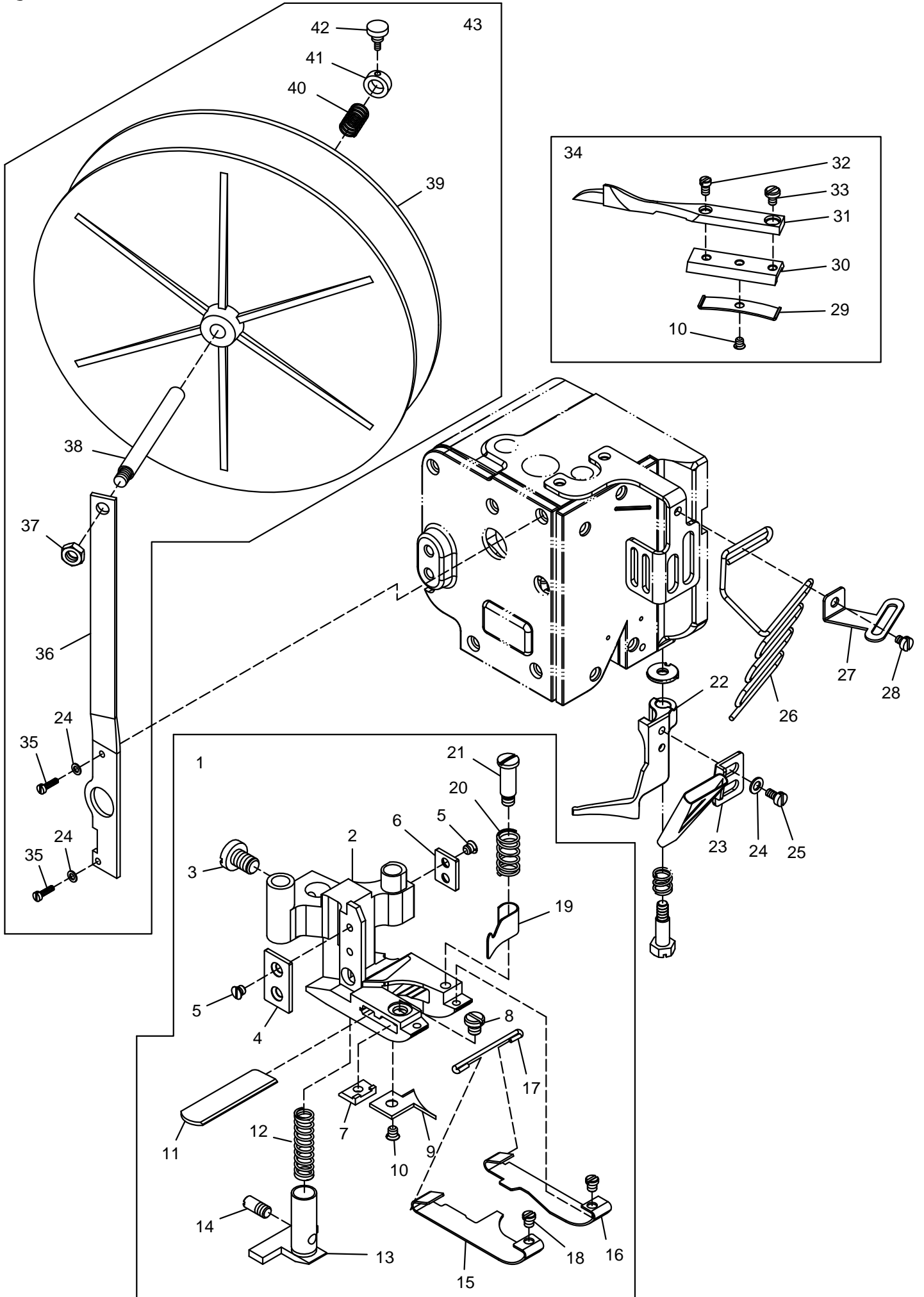


MU62D-460-10H EXCLUSIVE PARTS

專用零件

18

Ref.No	Parts.No	Description	品名	Amt.Req.
54	S62260	Stitch Plate, C. Set (6.0mm)	針板組 (6.0mm)	1
55	A0733	Knife Holder Shank Support	上切刀固定座支架	1
56	A0734	Knife Holder Spring	上切刀固定座彈簧	1
57	A0735	Knife Holder Guide Collar	上切刀彈簧固定座	1
58	A0736	Screw (9/64-40x10.4)	螺絲	1
59	B2106	Knife Holder Shank	上切刀固定座柄	1
60	A0739	Screw (3/32-56x3.8)	螺絲	1
61	B2108	Knife Support	上切刀支架	1
62	B2109	Upper Knife	上切刀	1
63	B2110	Knife Holder	上切刀固定座	1
64	B2111	Screw (3/32-56x7)	螺絲	2
65	A0745	Screw (1/4-40x5)	螺絲	1

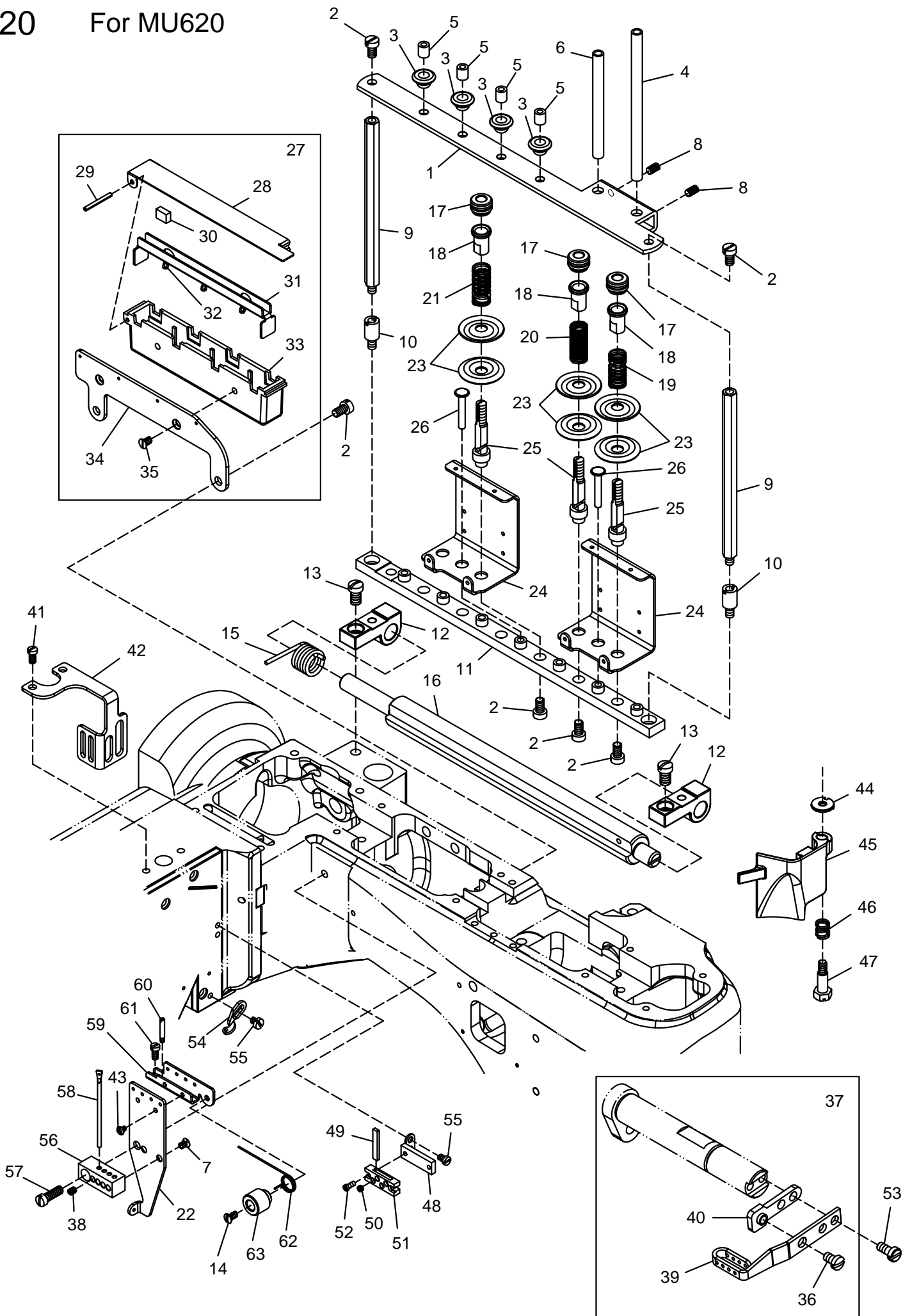


MU62D-460-04 EXCLUSIVE PARTS

專用零件

19

Ref.No	Parts.No	Description	品名	Amt.Req.
1	P60004	Double Side Cut Presser Foot, C. Set	雙切壓腳組	1
2	B60104	Double Side Cut Presser Foot	雙切壓腳	1
3	A0616	Screw (11/64-40x6)	螺絲	1
4	A0628	Presser Foot Attach Piece (Left)	壓腳連接片 (左)	1
5	A0629	Screw (3/32-56x2.5)	螺絲	4
6	A0627	Presser Foot Attach Piece (Right)	壓腳連接片 (右)	1
7	A1218	Lower Knife Clamp	下切刀夾板	1
8	A0632	Screw (1/8-44x3.4)	螺絲	1
9	A1222	Presser Foot Tongue	壓腳舌片	1
10	A1223	Screw (3/32-56x2.8)	螺絲	2
11	A0630	Lower Knife	下切刀	1
12	A0633	Yielding Section Spring	小壓具彈簧	1
13	A1221	Yielding Section	小壓具	1
14	A0506	Screw (1/8-44x5.3)	螺絲	1
15	B12124	Presser Foot Spring Plate (Left)	壓腳彈簧片 (左)	1
16	B12125	Presser Foot Spring Plate (Right)	壓腳彈簧片 (右)	1
17	A0639	Spring Plate Holder	彈簧片固定鐵勾	1
18	A0638	Screw (3/32-56x2.6)	螺絲	1
19	B25019	Chip Guard	切角防護片	1
20	A0641	Chip Guard Spring	切角防護片彈簧	1
21	A0642	Screw (1/8-44x3.4)	螺絲	1
22	B25022	Washer	墊片	1
23	B25023	Folder	導布筒	1
24	A0863	Washer	墊片	4
25	U13016	Screw (M3.5-0.6x6)	螺絲	2
26	B25026	Folder	導布架	1
27	B25027	Tape Guide	導布片	1
28	U01021	Screw (M4-0.7x5)	螺絲	1
29	A1235	Lap Former Slide Block Spring	前導布器滑塊彈簧片	1
30	A1234	Lap Former Slide Block	前導布器滑塊	1
31	G62001	Lap Former	前導布器 (薄料用)	1
32	A1232	Screw (3/32-56x3.8)	螺絲	1
33	A1233	Screw (3/32-56x3.8)	螺絲	1
34	B12046	Lap Former, C. Set	前導布器組 (薄料用)	1
35	B25035	Screw (9/64-40x14)	螺絲	2
36	B25046	Tape Reel Support	支撐架	1
37	B15130	Nut	螺帽	1
38	B25049	Tape Reel Shaft	支撐桿	1
39	B25051	Tape Base	塑膠盤	2
40	B25052	Spring	彈簧	1
41	B25053	Collar	軸環	1
42	C16005	Screw (M4-0.7x18)	螺絲	1
43	B25043	Tape Reel, C. Set	補強帶組	1

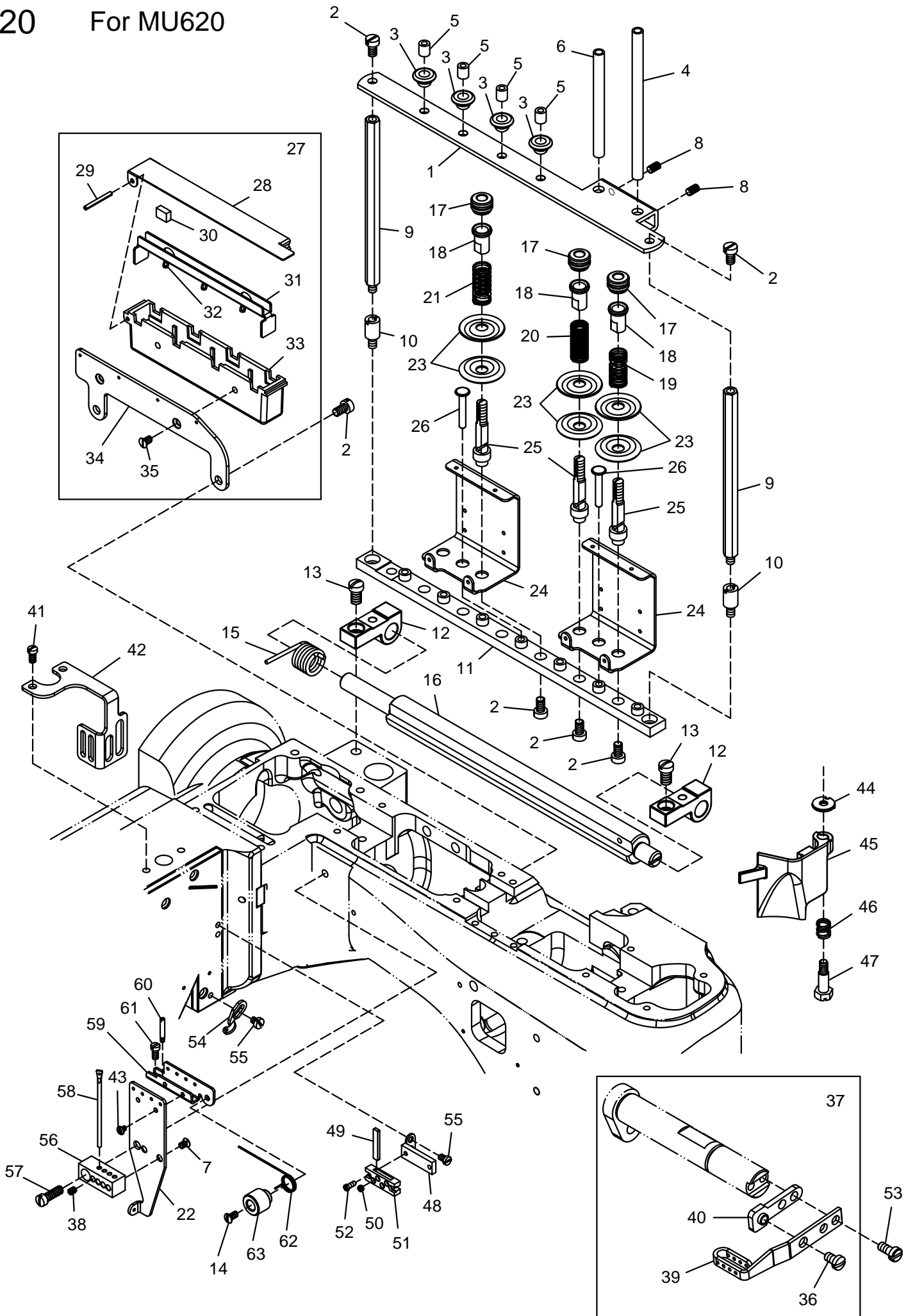


MISCELLANEOUS THREAD EYELETS FOR MU620

過線機構 (MU620)

20

Ref.No	Parts.No	Description	品名	Amt.Req.
1	A03101	Thread Guide Plate	線架板	1
2	A0302	Screw (11/64-40x7)	螺絲	6
3	B0403	Thread Eyelet Bushing	過線孔套	4
4	A0304	Thread Pipe	過線管	1
5	B0404	Thread Eyelet	過線孔	4
6	A03106	Thread Pipe	過線管	1
7	A0367	Screw (1/8-44x4.4)	螺絲	2
8	A03008	Screw (M4-0.7x8)	螺絲	2
9	A0309	Thread Guide Plate Support	線架板支撐棒	2
10	A0310	Screw (11/64-40x7)	螺絲	2
11	A0311	Thread Tension Support	上線張力固定座	1
12	A0312	Thread Tension Support Bracket	上線張力固定座支架	2
13	A0313	Screw (7/32-32x9.3)	螺絲	4
14	A0366	Screw (1/8-44x5.4)	螺絲	1
15	A0315	Tension Release Shaft Spring	張力釋放軸彈簧	1
16	B0416	Tension Release Shaft	張力釋放軸	1
17	A0317	Nut	彈簧調整鈕	6
18	A0318	Tension Spring Bushing	張力彈簧調整固定軸	6
19	A0319	Looper Thread Tension Spring	下勾針張力彈簧	1
20	A0320	Top Cover Thread Tension Spring	上飾線張力彈簧	1
21	A0321	Needle Thread Tension Spring	針線張力彈簧	4
22	A1009	Screw (11/64-40x8)	螺絲	6
23	A0323	Thread Tension Disc	張力調整盤	12
24	A0324	Thread Tension Disc Eyelet	張力調整過線架	3
25	A0325	Tension Post	張力彈簧支柱	6
26	A0326	Tension Release Pin	張力釋放插銷	7
27	A0327	SPDevice, C. Set	針線吸油組	1
28	A0328	Oil Cup Lip	矽油儲存槽蓋	1
29	A0329	Hinge Pin	鉸鏈插銷	1
30	A0330	SP Felt	SP吸油氈	4
31	A0331	SP Felt Stay	SP吸油氈支柱	1
32	A0332	Oil Wick	油芯	1
33	A0333	SP Container	矽油儲存槽	1
34	A0334	SP Container Support	矽油儲存槽固定座	1
35	A0151	Screw (9/64-40x5.6)	螺絲	2
36	A0710	Screw (M3.5-0.6x6)	螺絲	1
37	A20037	Needle Thread Take-up, C. Set	針線搖臂過線孔	1
38	A0338	Screw (1/8-44x4)	螺絲	4
39	A0709	Needle Thread Take-up	針線搖臂過線孔	1
40	A0712	Bracket	固定片	2
41	A0158	Screw (M4-0.7x7.8)	螺絲	2
42	A0157	Needle Thrad Take-up Guard	護蓋	1
43	A0343	Screw (3/32-56x3)	螺絲	2
44	A0166	Frame Chip Guard Washer	墊片	1
45	B1746	Frame Chip Guard	防護板	1
46	A0153	Frame Chip Guard Spring	彈簧	1
47	A0154	Screw (M5-0.8X8.7)	螺絲	1
48	B0448	Needle Thread Strike-off Pin Holder Plate	過線張力固定板	1
49	A0349	Needle Thread Strike-off Pin	過線張力調整片	4
50	A0350	Screw (1/8-44x2)	螺絲	4
51	B0451	Needle Thread Strike-off Pin Holder Bracket	過線張力固定架	1
52	B0452	Screw (3/32-56x5.7)	螺絲	2
53	A0711	Screw (M3.5-0.6x7.8)	螺絲	2

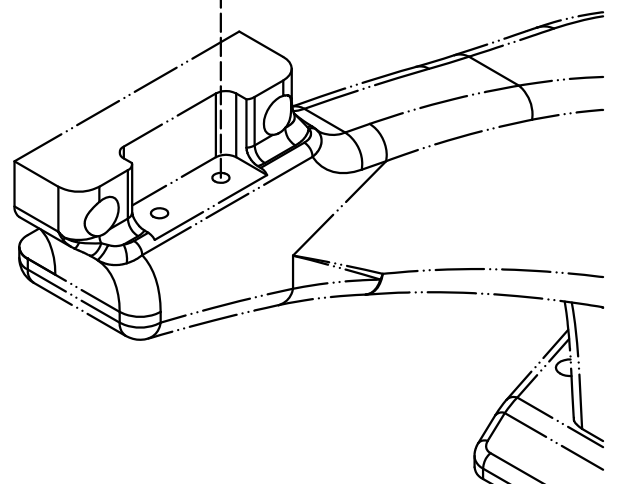
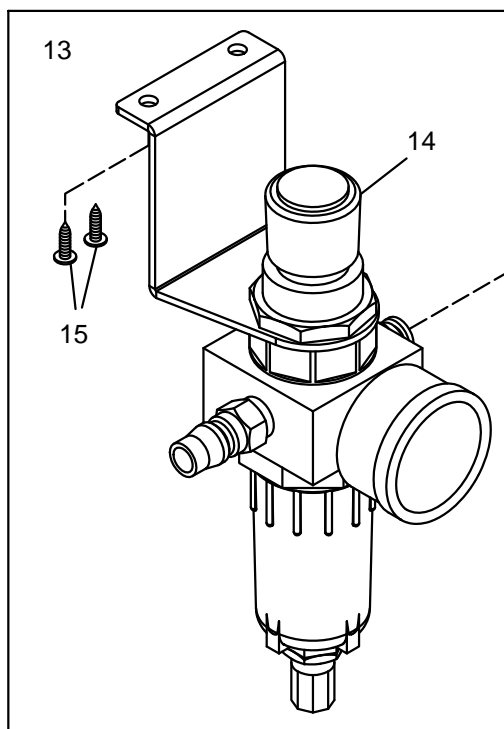
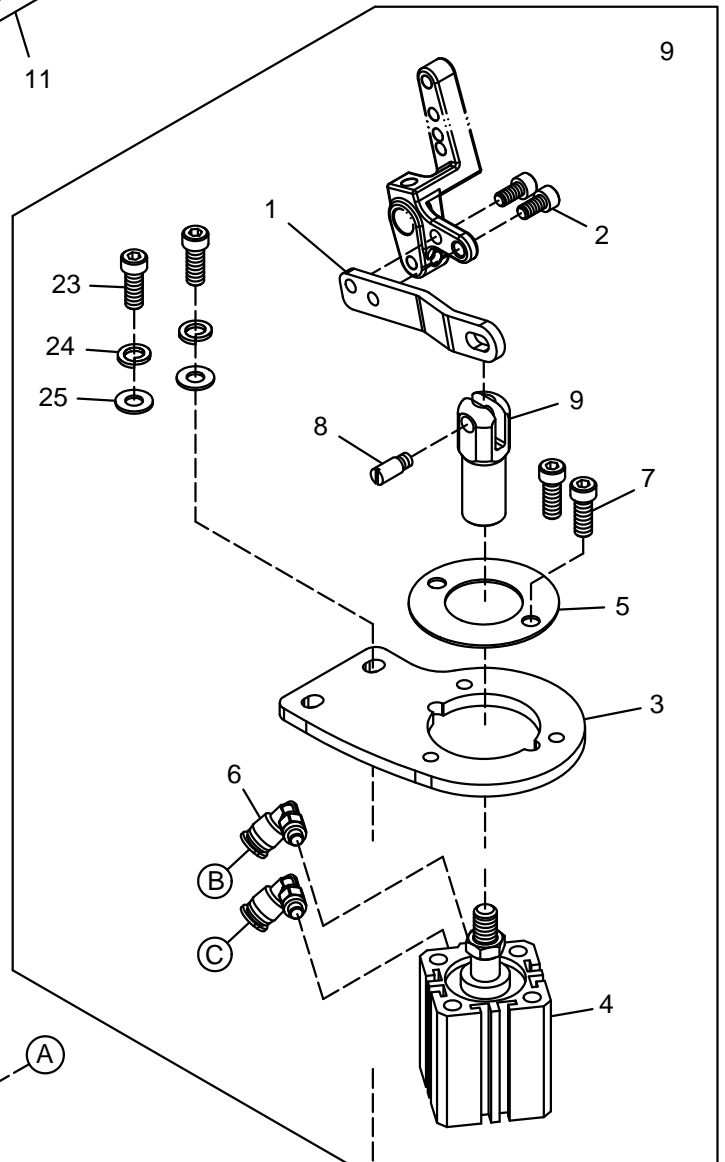
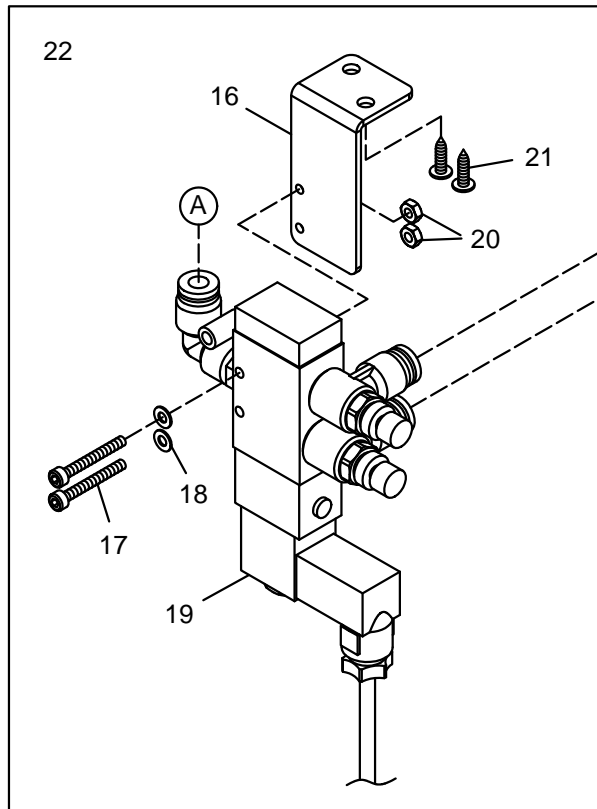


MISCELLANEOUS THREAD EYELETS FOR MU620

過線機構 (MU620)

20

Ref.No	Parts.No	Description	品名	Amt.Req.
54	A0354	Head Cover Thread Eyelet	上飾線過線片	1
55	A0355	Screw (1/8-44x4)	螺絲	3
56	A0356	Needle Thread Eyelet Holder	針線張力調整桿座	1
57	A0357	Screw (11/64-40x13)	螺絲	1
58	A0358	Needle Thread Eyelet	針線張力調整桿	4
59	A0359	Stitch Unlocker Mounting Bracket	跳線彈簧架	1
60	A0360	Screw (3/32-56x3)	螺絲	1
61	A0361	Screw (1/8-44x6.4)	螺絲	1
62	A0362	Stitch Unlocking Spring	跳線彈簧	1
63	A0363	Stitch Unlocking Spring Holder	跳線彈簧調整固定鈕	1
64	A0364	Needle Bracket	過線支撐架	1

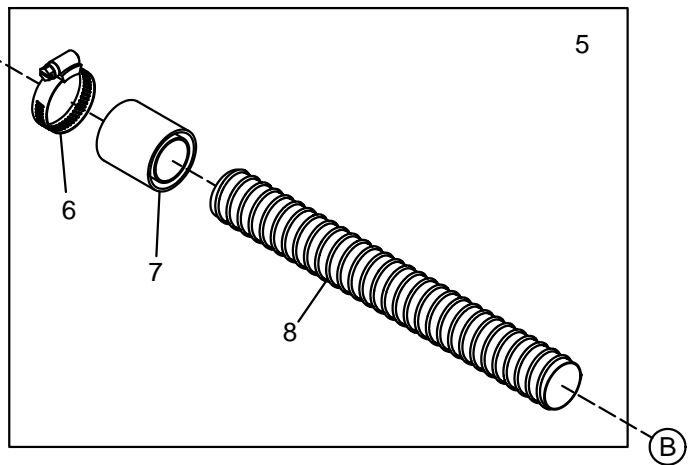
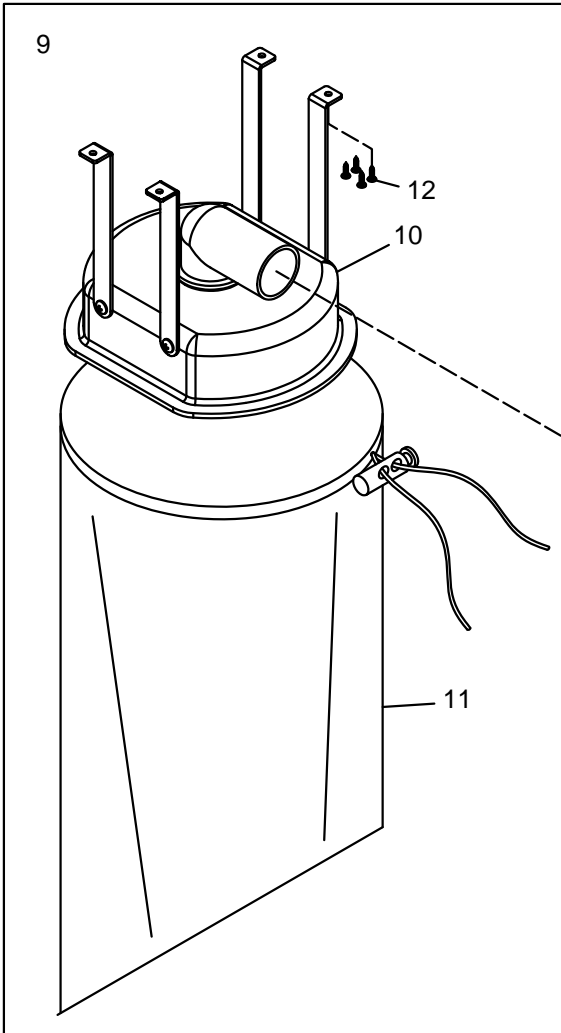
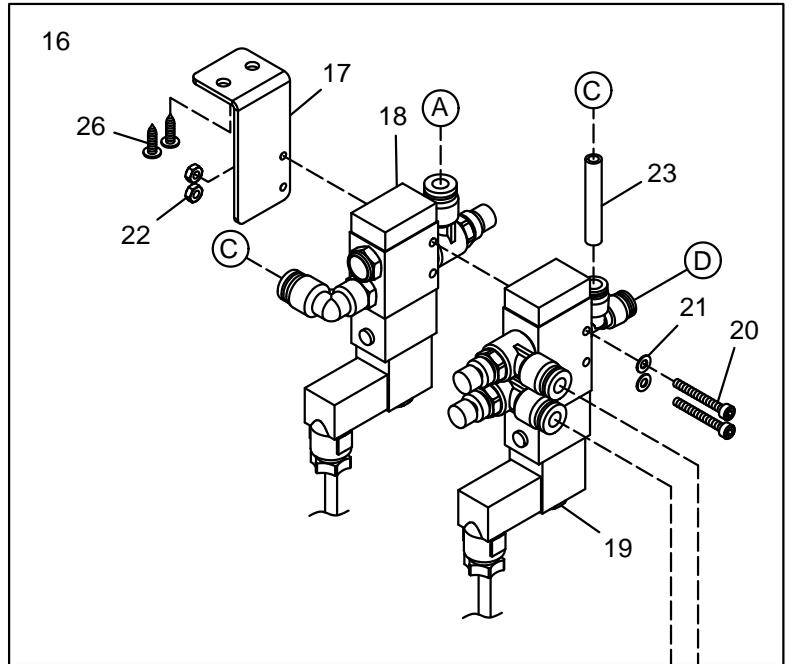
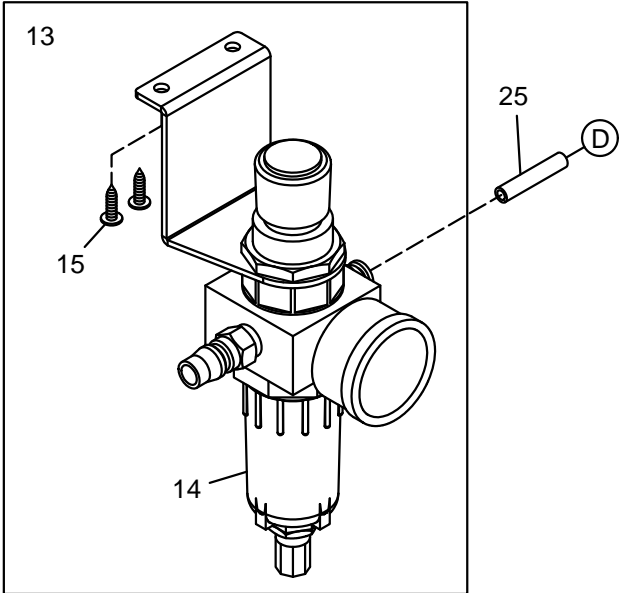
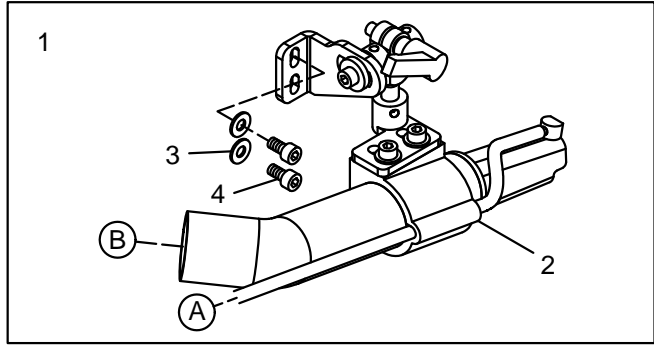


AT DEVICE

氣動抬壓腳機構

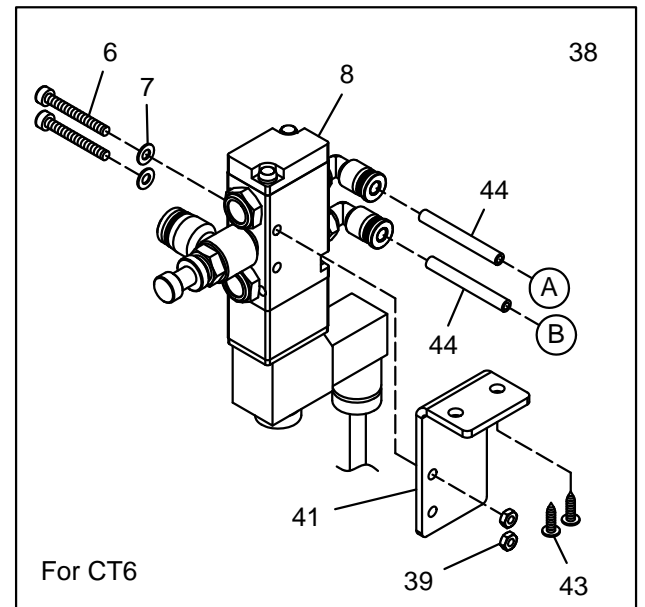
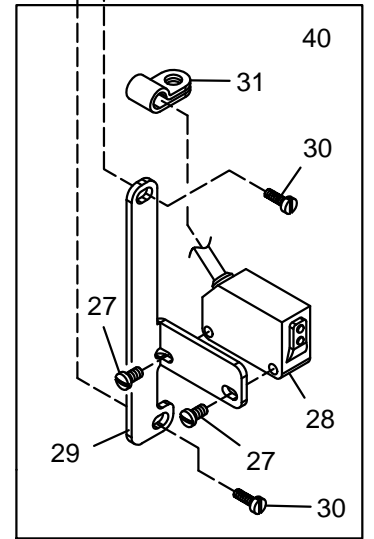
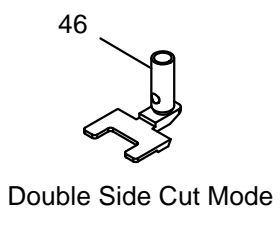
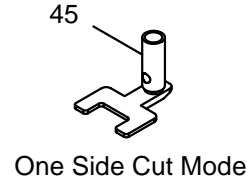
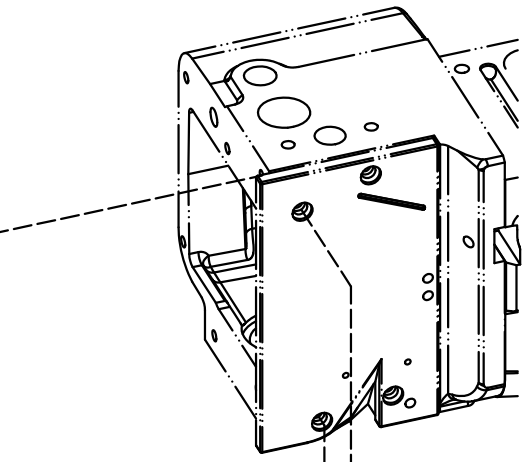
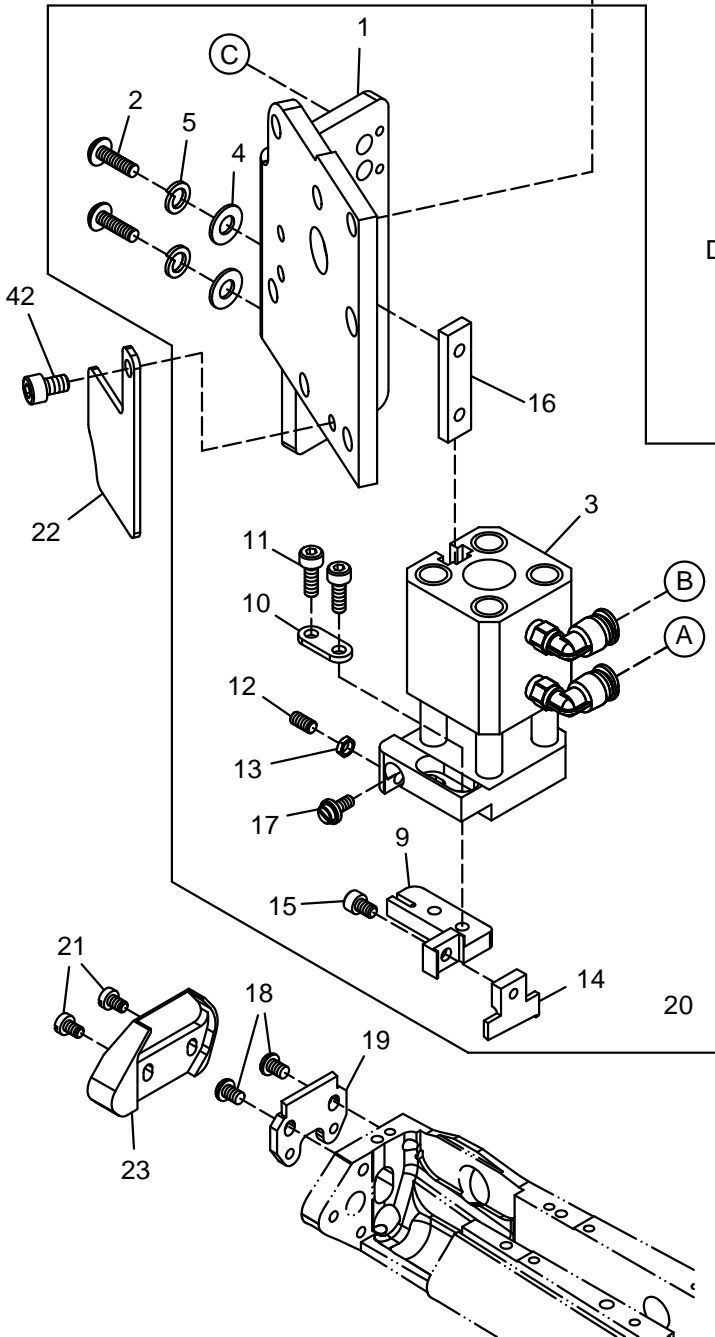
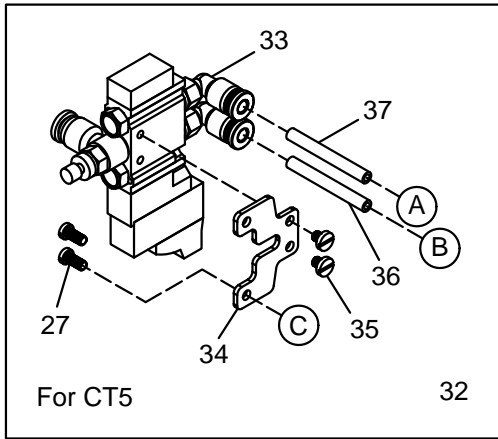
21

Ref.No	Parts.No	Description	品名	Amt.Req.
1	B14201	Presser Bar Lifter Lever	抬壓腳連桿	1
2	B1402	Screw (M5-0.8x10)	螺絲	2
3	B14304	Support Plate	固定板	1
4	B23104	Cylinder	氣缸	1
5	B23213	Washer	墊片	1
6	B23106	Air Tube Joint	快速接頭	2
7	B2566	Screw (M6-1x20)	螺絲	2
8	B1410	Screw (M5-0.8x5)	螺絲	1
9	B23009	"Y" Joint	Y接頭	1
10	B23010	Cylinder, C. Set	氣缸組	1
11	B22124	Air Tube (2.5x4x700mm)	PU管	2
12	B22125	Air Tube (4x6x200mm)	PU管	1
13	B22213	Filter Regulator, C. Set	調壓過濾器組	1
14	B22114	Filter Regulator	調壓過濾器	1
15	B22115	Wood Screw	螺絲	2
16	U05012	Solenoid Valve Support	電磁閥架	1
17	U05014	Screw (M3-0.5x25)	螺絲	2
18	C04052	Washer	墊片	2
19	B23119	Solenoid Valve	電磁閥	1
20	U05006	Nut	螺帽	2
21	B17015	Wood Screw	螺絲	2
22	B23126	Solenoid Valve, C. Set	電磁閥組	1
23	B1313	Screw (M6-1x16)	螺絲	2
24	B1435	Spring Washer	彈簧墊片	2
25	B2522	Washer	墊片	2



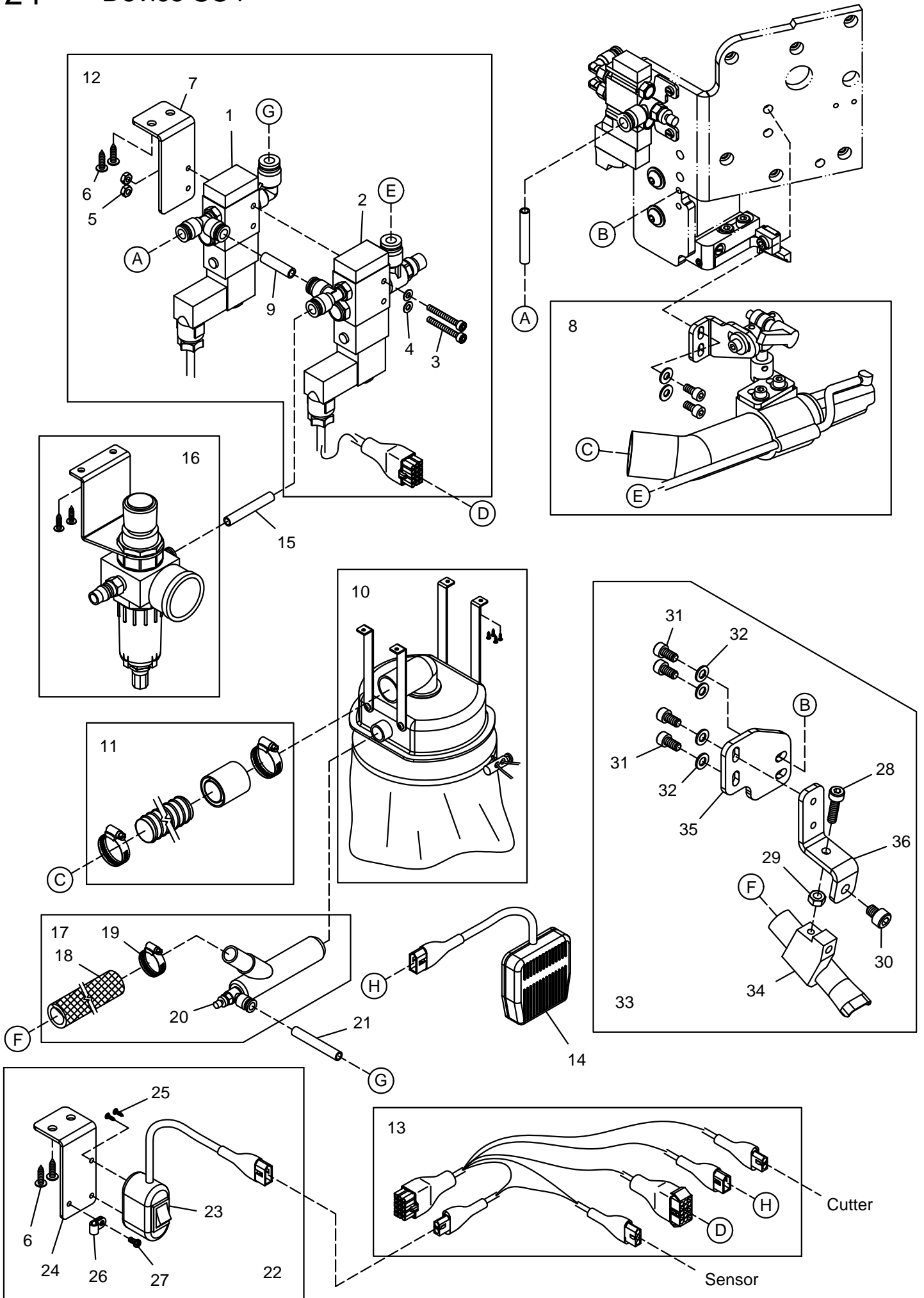
Ref.No	Parts.No	Description	品名	Amt.Req.
1	B17101	Suction Pipe Unit, C. Set	吸布管組	1
2	B17102	Suction Pipe Unit	吸布管	1
3	B17103	Washer	墊片	2
4	B17104	Screw(M5-0.8x10)	螺絲	2
5	B17005	Take Over, C. Set	接管組	1
6	B17006	Hose Band	管束	1
7	B17007	Take Over	轉接頭	1
8	B17008	Spiral Pipe	螺旋管	1
9	B17009	Waste Gather System, C. Set	集布袋組	1
10	B17010	Waste Gather Cover	集布蓋	1
11	B17011	Waste Gather Bag	集布袋	1
12	B17012	Wood Screw	螺絲	4
13	B22213	Filter Regulator, C. Set	調壓過濾器組	1
14	B22114	Filter Regulator	調壓過濾器	1
15	B22115	Wood Screw	螺絲	2
16	B22216	Solenoid Valve, C. Set	電磁閥組	1
17	U05012	Solenoid Valve Support	電磁閥架	1
18	B17213	Solenoid Valve, C. Set	電磁閥組	1
19	B22119	Solenoid Valve	電磁閥	1
20	U05004	Screw (M3-0.5x45)	螺絲	2
21	C04052	Washer	墊片	2
22	U05006	Nut	螺帽	2
23	B22123	Air Tube (4x6x250mm)	PU管	1
24	B22124	Air Tube (2.5x4x700mm)	PU管	2
25	B22125	Air Tube (4x6x200mm)	PU管	1
26	B17015	Wood Screw	螺絲	2

23 Device CT



Ref.No	Parts.No	Description	品名	Amt.Req.
1	B29501	Cutter Fixed Side Cover	切刀固定側蓋	1
2	B29002	Screw (M5-0.8x16)	螺絲	2
3	B29003	Cylinder	氣缸	1
4	B29004	Washer	墊片	2
5	B1406	Spring Washer	彈簧墊片	2
6				
7				
8				
9	B29209	Upper Knife Holder	上切刀固定座	1
10	B29010	Washer	墊片	1
11	B1427	Screw (M4-0.7x12)	螺絲	2
12	B29012	Screw (M4-0.7x12)	螺絲	1
13	C02029	Nut	螺帽	1
14	B29314	Upper Knife	上切刀	1
15	C03041	Screw (M4-0.7x6)	螺絲	1
16	B29016	Guide Plate	導板	1
17	A0842	Adjusting Screw (9/64-40x8.2)	調節螺絲	1
18	C02017	Screw (M4-0.7x8)	螺絲	2
19	B29219	Lower Knife	下切刀	1
20	B29120	Upper Knife, C. Set	上切刀組	1
21	A0143	Screw (9/64-40x7.3)	螺絲	2
22	CT1022	Hand Guard Board	護手板	1
23	B29123	Cover	外蓋	1
24				
25				
26				
27	C05024	Screw(M3-0.5x10)	螺絲	4
28	B29128	Sensor	光電感應器	1
29	B29329	Switches Holder	感應器支架	1
30	A0107	Screw (9/64-40x11)	螺絲	2
31	U13019	Cord Clamp	配線固定鈕	1
32	CT5032	Solenoid Valve, C. Set	電磁閥組	1
33	CT5033	Solenoid Valve	電磁閥	1
34	CT5034	Solenoid Valve Support	電磁閥架	1
35	C02049	Screw(M3-0.5x3.5)	螺絲	2
36	CT5036	Air Tube (2.5x4x110mm)	PU管	1
37	CT5037	Air Tube (2.5x4x130mm)	PU管	1
38	CT6038	Solenoid Valve, C. Set	電磁閥組	1
39	U05006	Nut	螺帽	2
40	B29140	Sensor, C. Set	光電感應器組	1
41	U05012	Solenoid Valve Support	電磁閥架	1
42	B29042	Screw (M5-0.8x6)	螺絲	1
43	B17015	Wood Screw	螺絲	2
44	CT1044	Air Tube (2.5x4x600mm)	PU管	2
45	CT1045	Yielding Section	小壓具	1
46	CT1046	Yielding Section	小壓具	1

24 Device SC4



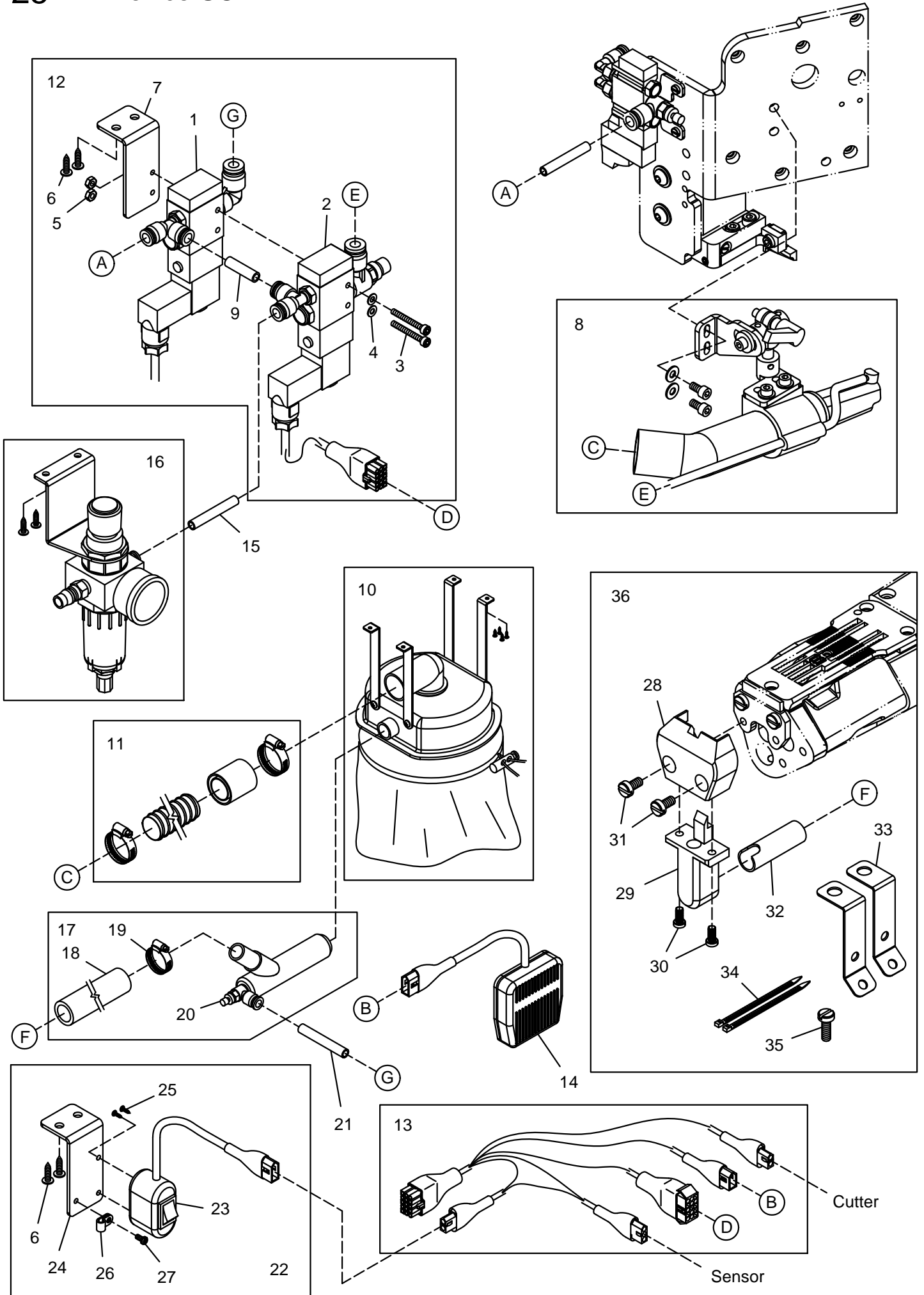
SC4 DEVICE

自動切線組

24

Ref.No	Parts.No	Description	品名	Amt.Req.
1	B30001	Solenoid Valve	電磁閥	1
2	B30102	Solenoid Valve	電磁閥	1
3	U05004	Screw (M3-0.5x45)	螺絲	2
4	C04052	Washer	墊片	2
5	U05006	Nut	螺帽	2
6	B17015	Wood Screw	螺絲	4
7	U05012	Solenoid Valve Support	電磁閥架	1
8	B17101	Suction Pipe Unit, C. Set	吸布管組	1
9	B30009	Air Tube (4x6x180mm)	PU管	1
10	B17009	Waste Gather System, C. Set	集布袋組	1
11	B17005	Take Over, C. Set	接管組	1
12	B30112	Solenoid Valve, C. Set	電磁閥組	1
13	B30013	Relay Line	中繼線	1
14	B30014	Kness Switch	膝動開關	1
15	B22125	Air Tube (4x6x200mm)	PU管	1
16	B22213	Filter Regulator, C. Set	調壓過濾器組	1
17	B30017	Vacuum Feed Pipe, C. Set	真空送氣管組	1
18	B30018	PVC Tube	PVC管	1
19	C24046	Hose Clamp	管束	1
20	B30020	Vacuum Feed Pipe	真空送氣管	1
21	B30021	Air Tube (4x6x650mm)	PU管	1
22	B30022	Switch, C. Set	切換開關組	1
23	B30023	Switch	切換開關	1
24	B30024	Switch Support	切換開關支架	1
25	B30025	Screw	螺絲	2
26	U13019	Cord Clamp	配線固定鈕	1
27	C02044	Screw (M4-0.7x5)	螺絲	1
28	C07025	Screw (M4-0.7x16)	螺絲	1
29	C02029	Nut	螺帽	1
30	B29042	Screw (M5-0.8x6)	螺絲	1
31	B2527	Screw(M4-0.7x8)	螺絲	4
32	C03030	Washer	墊片	4
33	B29133	Clear Pipe, C. Set	吸屑管組	1
34	B29137	Clear Pipe	吸屑管	1
35	B29135	Clear Pipe Fixed Plate	吸屑管固定板	1
36	B29136	Clear Pipe Support	吸屑管支架	1

25 Device SC7



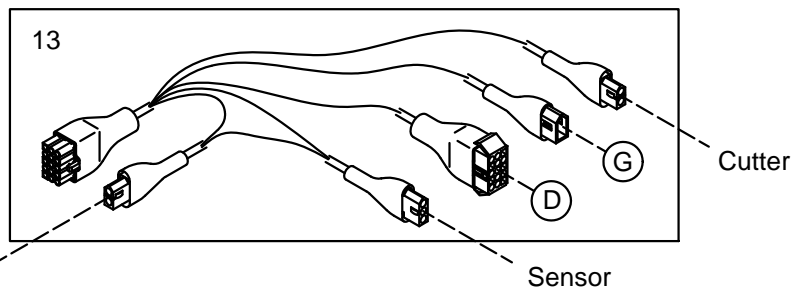
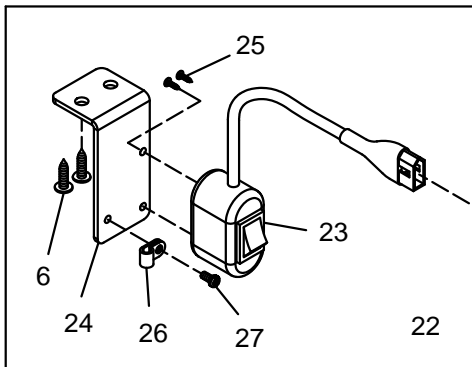
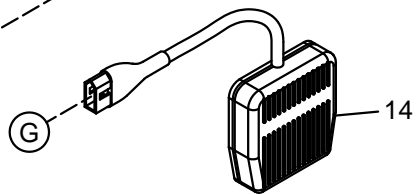
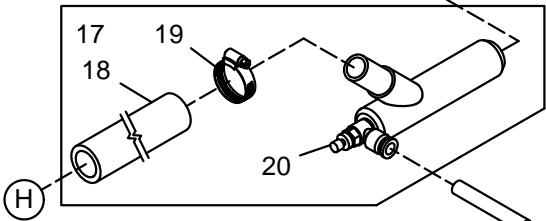
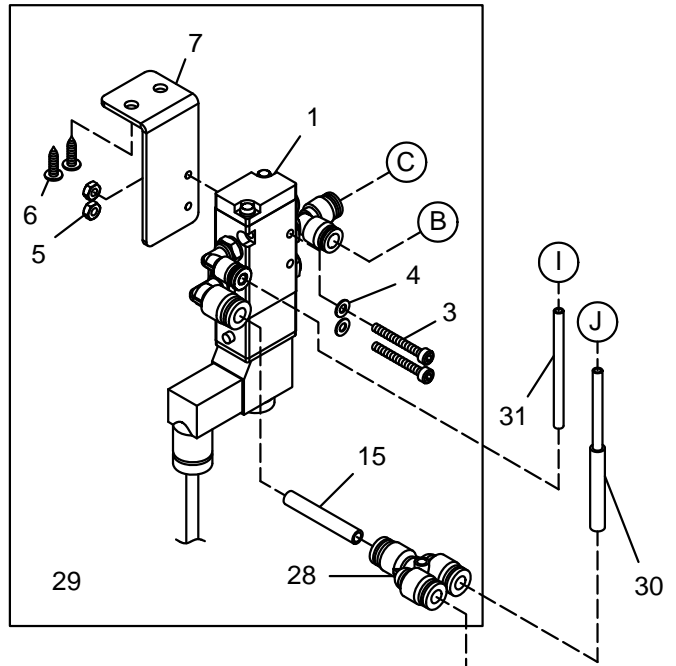
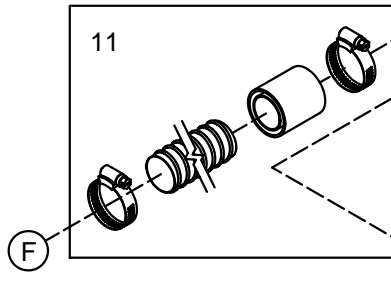
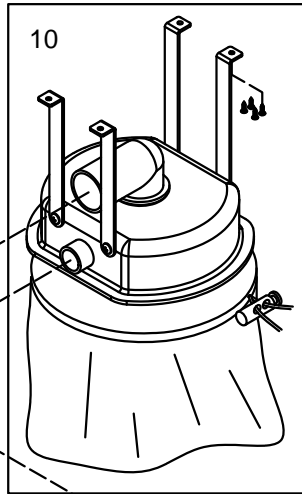
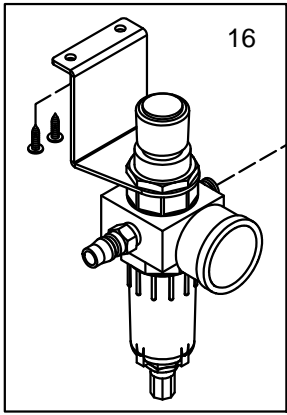
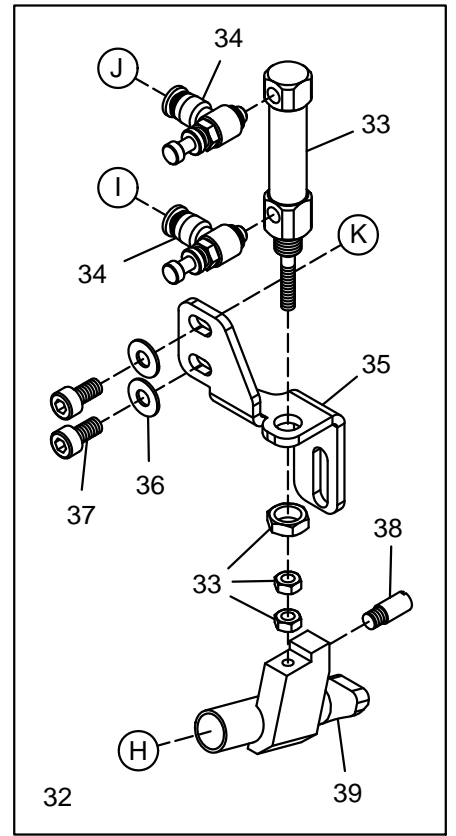
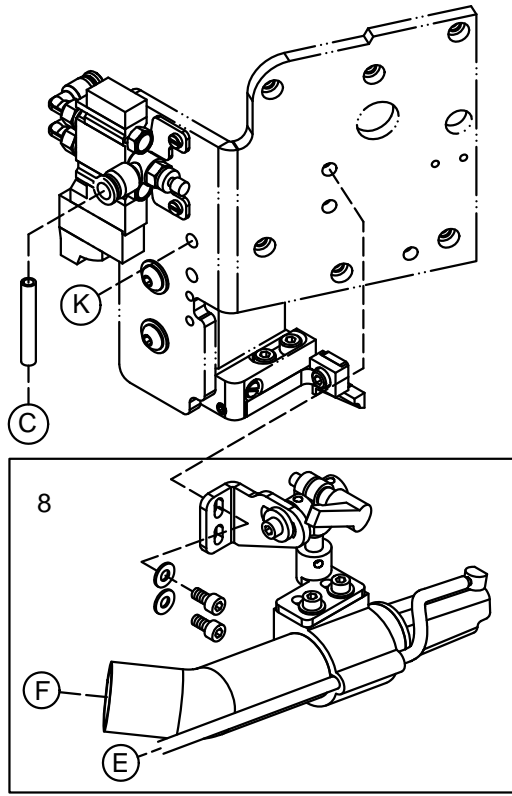
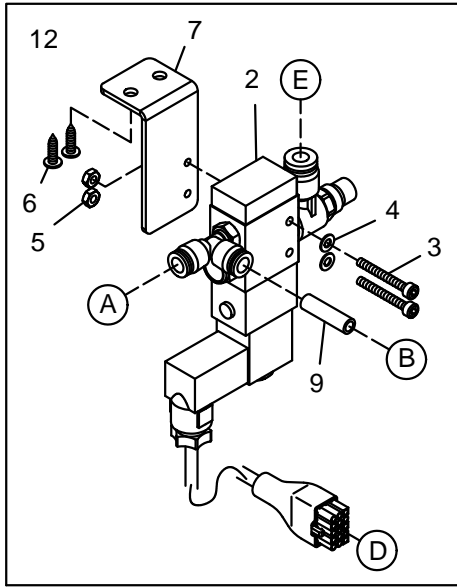
SC7 DEVICE

自動切線組

25

Ref.No	Parts.No	Description	品名	Amt.Req.
1	B30001	Solenoid Valve	電磁閥	1
2	B30102	Solenoid Valve	電磁閥	1
3	U05004	Screw (M3-0.5x45)	螺絲	2
4	C04052	Washer	墊片	2
5	U05006	Nut	螺帽	2
6	B17015	Wood Screw	螺絲	4
7	U05012	Solenoid Valve Support	電磁閥架	1
8	B17101	Suction Pipe Unit, C. Set	吸布管組	1
9	B30009	Air Tube (4x6x180mm)	PU管	1
10	B17009	Waste Gather System, C. Set	集布袋組	1
11	B17005	Take Over, C. Set	接管組	1
12	B30112	Solenoid Valve, C. Set	電磁閥組	1
13	B30013	Relay Line	中繼線	1
14	B30014	Kness Switch	膝動開關	1
15	B22125	Air Tube (4x6x200mm)	PU管	1
16	B22213	Filter Regulator, C. Set	調壓過濾器組	1
17	SC7017	Vacuum Feed Pipe, C. Set	真空送氣管組	1
18	SC7018	PVC Tube	PVC管	1
19	C24046	Hose Clamp	管束	1
20	B30020	Vacuum Feed Pipe	真空送氣管	1
21	B30021	Air Tube (4x6x650mm)	PU管	1
22	B30022	Switch, C. Set	切換開關組	1
23	B30023	Switch	切換開關	1
24	B30024	Switch Support	切換開關支架	1
25	B30025	Screw	螺絲	2
26	U13019	Cord Clamp	配線固定鈕	1
27	C02044	Screw (M4-0.7x5)	螺絲	1
28	SC7028	Cover	外蓋	1
29	SC7029	Connecting Seat	連接座	1
30	C04049	Screw (M3-0.5x6.5)	螺絲	2
31	A0143	Screw (9/64-40x7.3)	螺絲	2
32	SC7032	Adapter Tube	轉接管	1
33	SC7033	Fixed Frame	固定架	2
34	SC7034	Strap	束帶	2
35	SC7035	Screw (1/8-44x12.5)	螺絲	1
36	SC7036	Chip Suction Cover, C. Set	吸屑蓋組	1

26 Device SC9



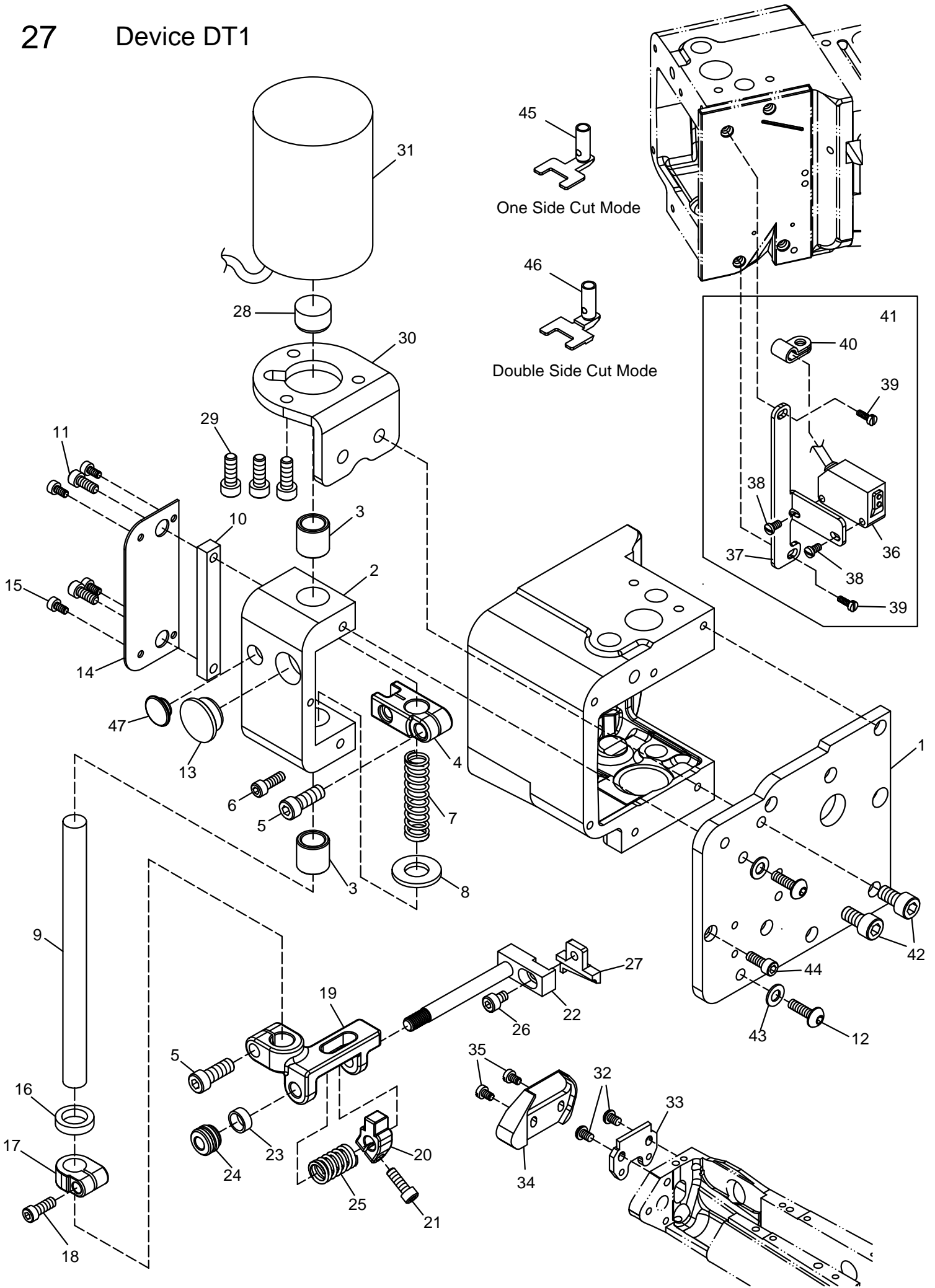
SC9 DEVICE

自動切線組

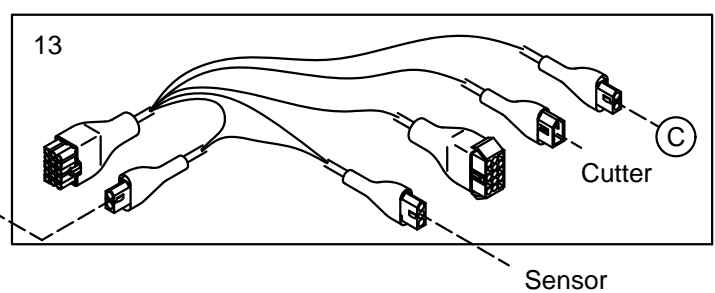
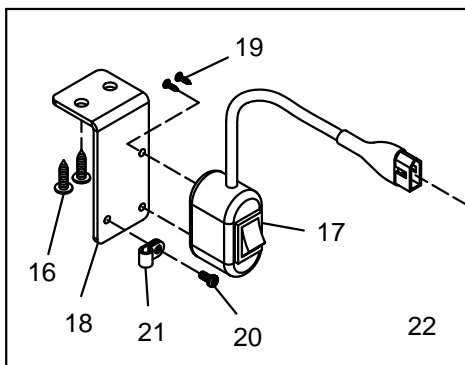
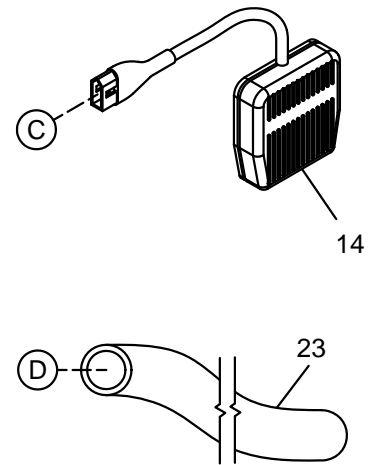
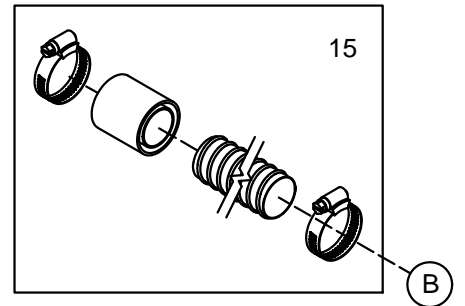
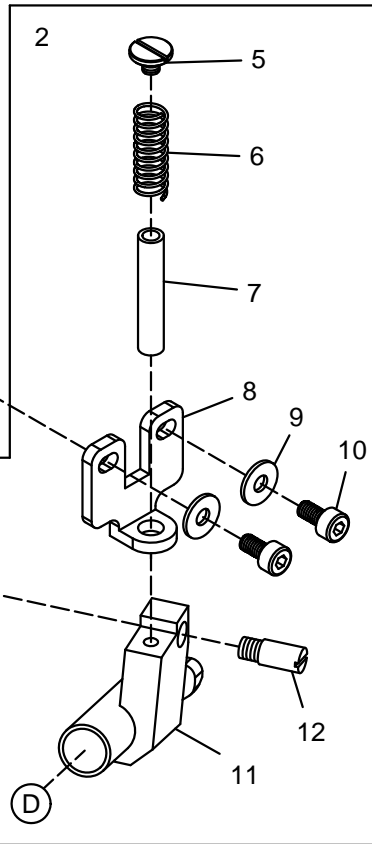
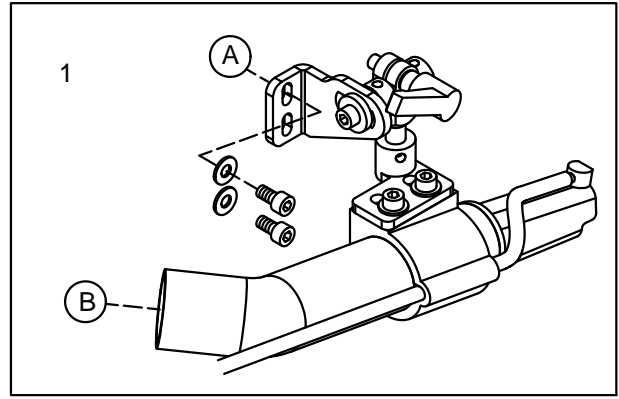
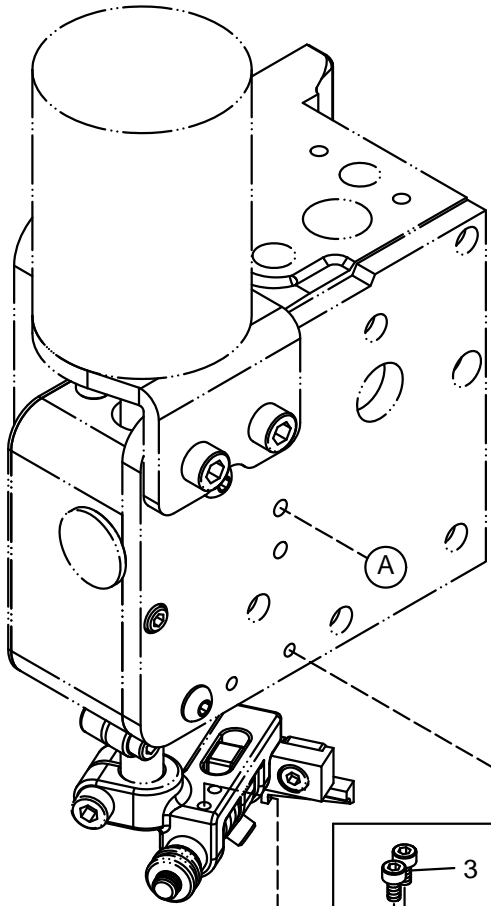
26

Ref.No	Parts.No	Description	品名	Amt.Req.
1	B30101	Solenoid Valve	電磁閥	1
2	B30102	Solenoid Valve	電磁閥	1
3	U05014	Screw (M3-0.5x25)	螺絲	4
4	C04052	Washer	墊片	4
5	U05006	Nut	螺帽	4
6	B17015	Wood Screw	螺絲	6
7	U05012	Solenoid Valve Support	電磁閥架	2
8	B17101	Suction Pipe Unit, C. Set	吸布管組	1
9	B23013	Air Tube (4x6x250mm)	PU管	2
10	B17009	Waste Gather System, C. Set	集布袋組	1
11	B17005	Take Over, C. Set	接管組	1
12	SC9012	Solenoid Valve, C. Set	電磁閥組	1
13	B30013	Relay Line	中繼線	1
14	B30014	Kness Switch	膝動開關	1
15	B22125	Air Tube (4x6x200mm)	PU管	1
16	B22213	Filter Regulator, C. Set	調壓過濾器組	1
17	B30217	Vacuum Feed Pipe, C. Set	真空送氣管組	1
18	B30218	PVC Tube	PVC管	1
19	C24046	Hose Clamp	管束	1
20	B30020	Vacuum Feed Pipe	真空送氣管	1
21	B30021	Air Tube (4x6x650mm)	PU管	1
22	B30022	Switch, C. Set	切換開關組	1
23	B30023	Switch	切換開關	1
24	B30024	Switch Support	切換開關支架	1
25	B30025	Screw	螺絲	2
26	U13019	Cord Clamp	配線固定鈕	1
27	C02044	Screw (M4-0.7x5)	螺絲	1
28	U05010	Fitting (FPY 6)	三通接頭	1
29	SC9029	Solenoid Valve, C. Set	電磁閥組	1
30	SC9030	Air Tube	PU管	1
31	SC9031	Air Tube (2.5x4x500mm)	PU管	1
32	SC9032	Clear Pipe, C. Set	吸屑管組	1
33	SC9033	Cylinder	氣缸	1
34	U06004	Fitting (FJSC 4-M5)	可調式快速接頭	2
35	SC9035	Clear Pipe Guide Seat	吸管導座	1
36	B29004	Washer	墊片	2
37	C06043	Screw (M5-0.8x10)	螺絲	2
38	B1410	Screw (M5-0.8x5)	螺絲	1
39	B29137	Clear Pipe	吸屑管	1

27 Device DT1



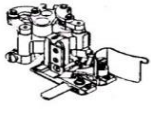
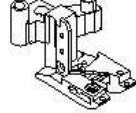
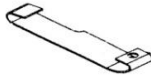



Ref.No	Parts.No	Description	品名	Amt.Req.
1	DT1001	Frame Unit Cover	車頭蓋板	1
2	DT1002	Guide rod holder	導桿固定座	1
3	DT1003	Support	銅套	2
4	DT1004	Guide	導塊	1
5	C06040	Screw(M6-1x16)	螺絲	2
6	C02031	Screw(M4-0.7x12)	螺絲	1
7	DT1007	Spring	彈簧	1
8	DT1008	Washer	墊片	1
9	DT1009	Guide Post	導柱	1
10	DT1010	Guide Plate	導板	1
11	E11007	Screw(M4-0.7x10)	螺絲	2
12	DT1012	Screw (M5-0.8x14)	螺絲	2
13	A0148	Seal Plug	油塞	1
14	DT1014	Protective Cover	防護蓋	1
15	E02032	Screw(M3-0.5x6)	螺絲	4
16	A0608	Connecting Bracket Cushion	連結架襯墊	1
17	U02009	Collar	軸環	1
18	A0838	Screw (11/64-40x13)	螺絲	1
19	DT1019	Cutter Holder	切刀基座	1
20	DT1020	Knife Bar Guide	刀桿導塊	1
21	C02031	Screw(M4-0.7x12)	螺絲	1
22	DT1122	Tool Adjustment Lever	刀具調節桿	1
23	DT1023	Rubber Cushion	緩衝墊	1
24	A0317	Nut	彈簧調整鈕	1
25	A0734	Knife Holder Spring	上切刀固定座彈簧	1
26	C03041	Screw (M4-0.7x6)	螺絲	1
27	B29314	Upper Knife	上切刀	1
28	DT1028	Supporting Board Rubber Cushion	避震墊	1
29	C06043	Screw (M5-0.8x10)	螺絲	3
30	DT1030	Solenoid Bracket	電磁鐵支架	1
31	DT1031	Electromagnet	電磁鐵	1
32	C02017	Screw (M4-0.7x8)	螺絲	2
33	B29219	Lower Knife	下切刀	1
34	B29123	Cover	外蓋	1
35	A0143	Screw (9/64-40x7.3)	螺絲	2
36	B29128	Sensor	光電感應器	1
37	B29329	Switches Holder	感應器支架	1
38	C05024	Screw(M3-0.5x10)	螺絲	2
39	A0107	Screw (9/64-40x11)	螺絲	2
40	U13019	Cord Clamp	配線固定鈕	1
41	B29140	Sensor, C. Set	光電感應器組	1
42	C08042	Screw(M6-1x10)	螺絲	2
43	B2524	Washer	墊片	2
44	C03041	Screw (M4-0.7x6)	螺絲	1
45	CT1045	Yielding Section	小壓具	1
46	CT1046	Yielding Section	小壓具	1
47	A0149	Seal Plug	油塞	1





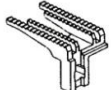



Ref.No	Parts.No	Description	品名	Amt.Req.
1	B17101	Suction Pipe Unit, C. Set	吸布管組	1
2	SC16002	Clear Pipe, C. Set	吸屑管組	1
3	E02032	Screw(M3-0.5x6)	螺絲	2
4	SC16004	Locating seat	定位座	1
5	U03003	Screw (M4-0.7x6)	螺絲	1
6	SC16006	Spring	彈簧	1
7	B29003-8	Axis	軸心	1
8	SC16008	Clear Pipe Support	吸屑管支架	1
9	C03030	Washer	墊片	2
10	U09022	Screw (M4-0.7x8)	螺絲	2
11	SC16011	Clear Pipe	吸屑管	1
12	B1410	Screw (M5-0.8x5)	螺絲	1
13	B30013	Relay Line	中繼線	1
14	B30014	Kness Switch	膝動開關	1
15	B17005	Take Over, C. Set	接管組	1
16	B17015	Wood Screw	螺絲	2
17	B30023	Switch	切換開關	1
18	B30024	Switch Support	切換開關支架	1
19	B30025	Screw	螺絲	2
20	C02044	Screw (M4-0.7x5)	螺絲	1
21	U13019	Cord Clamp	配線固定鈕	1
22	B30022	Switch, C. Set	切換開關組	1
23	B30218	PVC Tube	PVC管	1

CLASS LIST OF MAIN SPARE PARTS

主零件型號區分

Main Parts Models						
	Presser Foot, C. Set	Presser Foot	Presser Foot Spring Plate (Left)	Presser Foot Spring Plate (Right)	Needle Guard (Rear)	Needle Guard (Front)
	壓腳組	壓腳	壓腳彈簧片(左)	壓腳彈簧片(右)	針檔 (後)	針檔 (前)
MU62D-452-01	P52001	B52101	A0636	A0668	A1010	A0845
MU62D-460-01	P60001	B60101	A0636	A0668	A1010	A0845
MU62D-452-12	P52012	B52112	B12124	B12125	A1010	A0845
MU62D-460-12	P60012	B60112	B12124	B12125	A1010	A0845
MU62D-452-20	P52020	B52120	B12224	B12225	A1010	A0845
MU62D-460-20	P60020	B60120	B12224	B12225	A1010	A0845
MU62D-452-04	B5204	B52104	B12124	B12125	A1010	A0845
MU62D-460-04	B6004	B60104	B12124	B12125	A1010	A0845
MU62D-452-22	B5222	B52122	A06136	A06168	A1010	A0845
MU62D-460-22	B6022	B60122	A06136	A06168	A1010	A0845
MU62D-452-10H	B5210H	B52110H	B1924	B1925	A1010	A0845
MU62D-460-10H	B6010H	B60110H	B1924	B1925	A1010	A0845
MU62D-452-04H	B5204H	B52104H	B1924	B1925	A1010	A0845
MU62D-460-04H	B6004H	B60104H	B1924	B1925	A1010	A0845
MU62D-452-12H	P52H12	B52112H	B1924	B1925	A1010	A0845
MU62D-460-12H	P60H12	B60112H	B1924	B1925	A1010	A0845

Main Parts Models						
	Top Cover Thread Carrier	Top Cover Thread Hook	Cloth Guide Plate	Stitch Plate Tongue	Differential Feed Dog	Main Feed Dog
	上飾線托架	飾線過線勾	導布板	針板舌片	差動齒	主齒
MU62D-452-01	A0625	A0622		S62260	F62001	R62001
MU62D-460-01	A0669	A0622		S62060	F62001	R62001
MU62D-452-12	A0625	A0622	A1222	S62260	F62001	R62002
MU62D-460-12	A0669	A0622	A1222	S62060	F62001	R62002
MU62D-452-20	A0625	A0622	A1222	S62260	F62001	R62002
MU62D-460-20	A0669	A0622	A1222	S62060	F62001	R62002
MU62D-452-04			A1222	S62260	F62001	R62002
MU62D-460-04			A1222	S62060	F62001	R62002
MU62D-452-22	A0625	A0622		S62260	F62001	R62001
MU62D-460-22	A0669	A0622		S62060	F62001	R62001
MU62D-452-10H	A0625	A0622	B1922	S62260	F62001	R62002
MU62D-460-10H	A0669	A0622	B1922	S62060	F62001	R62002
MU62D-452-04H			B1922	S62260	F62001	R62002
MU62D-460-04H			B1922	S62060	F62001	R62002
MU62D-452-12H	A0625	A0622	B1922	S62260	F62001	R62002
MU62D-460-12H	A0669	A0622	B1922	S62060	F62001	R62002

INDEX

Page=1

Parts No.	Page No.	Ref. No.	Parts No.	Page No.	Ref. No.	Parts No.	Page No.	Ref. No.
A0101	1	1	A0143	2	35	A0225	2	25
A0102	1	2	A0143	7	38	A0226	2	26
A01028	1	28	A0143	23	21	A0227	2	27
A0103	1	3	A0143	25	31	A0228	2	28
A0103	6	5	A0143	27	35	A0229	2	29
A0103	11	5	A0148	1	48	A0230	2	30
A0104	1	4	A0148	27	13	A0231	2	31
A01045	1	45	A0149	1	49	A0232	2	32
A01047	1	47	A0149	27	47	A0233	2	33
A0105	1	5	A0151	1	51	A0234	2	34
A0105	11	26	A0151	2	38	A0235	7	8
A01050	1	50	A0151	3	35	A0236	2	36
A0106	1	6	A0151	5	20	A0237	2	37
A0107	1	7	A0151	20	35	A03008	3	8
A0107	23	30	A0153	1	53	A03008	20	8
A0107	27	39	A0153	20	46	A0302	3	2
A0108	1	8	A0154	1	54	A0302	20	2
A0110	1	10	A0154	20	47	A0304	20	4
A0111	1	11	A0155	1	55	A0309	3	9
A0112	1	12	A0156	1	56	A0309	20	9
A0113	1	13	A0157	20	42	A0310	3	10
A0114	1	14	A0158	1	58	A0310	20	10
A01140	1	40	A0158	20	41	A03101	3	1
A01144	1	44	A0166	1	61	A03101	20	1
A0115	1	15	A0166	20	44	A03104	3	4
A01152	1	52	A0201	2	1	A03105	3	5
A01157	1	57	A0202	2	2	A03106	20	6
A0116	1	16	A0203	2	3	A0311	3	11
A0118	1	18	A0204	2	4	A0311	20	11
A0119	1	19	A0205	2	5	A0312	3	12
A0120	1	20	A0206	2	6	A0312	20	12
A0121	1	21	A0207	2	7	A03122	3	22
A0122	1	22	A0208	2	8	A03124	3	24
A0123	1	23	A0209	2	9	A03127	3	27
A0124	1	24	A0210	2	10	A0313	3	13
A0125	1	25	A0211	2	11	A0313	20	13
A0126	1	26	A0212	2	12	A03134	3	34
A0127	1	27	A0213	2	13	A03148	3	48
A0129	1	29	A0214	10	40	A03149	3	49
A0129	11	25	A0216	2	16	A0315	3	15
A0130	1	30	A0217	2	17	A0315	20	15
A0131	1	31	A0218	2	18	A03151	3	51
A0132	1	32	A0218	18	38	A03154	3	54
A0133	1	33	A0219	2	19	A03156	3	56
A0134	1	34	A0219	12	38	A03158	3	58
A0135	1	35	A0220	2	20	A03159	3	59
A0136	1	36	A0220	12	40	A0317	3	17
A0137	1	37	A0220	18	40	A0317	20	17
A0137	2	14	A0221	2	21	A0317	27	24
A0138	1	38	A0222	2	22	A0318	3	18
A0139	1	39	A0223	2	23	A0318	20	18
A0143	1	43	A0224	2	24	A0319	3	19

INDEX

Page=2

Parts No.	Page No.	Ref. No.	Parts No.	Page No.	Ref. No.	Parts No.	Page No.	Ref. No.
A0319	20	19	A0357	20	57	A0511	5	11
A0320	3	20	A0358	20	58	A0513	5	13
A0320	20	20	A0359	20	59	A0514	5	14
A0321	3	21	A0360	3	60	A0515	5	15
A0321	20	21	A0360	20	60	A0517	5	17
A0323	3	23	A0361	3	61	A0518	5	18
A0323	20	23	A0361	20	61	A0519	5	19
A0324	20	24	A0362	3	62	A0523	5	23
A0325	3	25	A0362	20	62	A0524	5	24
A0325	20	25	A0363	3	63	A0525	5	25
A0326	3	26	A0363	20	63	A0526	5	26
A0326	20	26	A0364	20	64	A0527	5	27
A0327	20	27	A0366	3	14	A0528	5	28
A0328	3	28	A0366	20	14	A0529	5	29
A0328	20	28	A0367	3	7	A0530	5	30
A0329	3	29	A0367	20	7	A0531	5	31
A0329	20	29	A0403	5	8	A0532	5	32
A0330	3	30	A0403	6	54	A0533	5	33
A0330	20	30	A04101	4	1	A0534	5	34
A0331	3	31	A04102	4	2	A0535	5	35
A0331	20	31	A04105	4	5	A0537	5	37
A0332	3	32	A04106	4	6	A0538	5	38
A0332	20	32	A0411	4	11	A0539	5	39
A0333	3	33	A0413	4	13	A0541	15	8
A0333	20	33	A0414	4	14	A0541A	5	41
A0334	20	34	A0415	4	15	A0542	15	9
A0336	3	36	A0416	4	16	A0542A	5	42
A0337	3	37	A0417	4	17	A0543	5	43
A0338	3	38	A0418	4	18	A0546	5	22
A0338	20	38	A0419	4	19	A0546	12	52
A0339	3	39	A0420	4	20	A0546	18	52
A0340	3	40	A0422	4	22	A0547	5	10
A0340	5	36	A0423	4	23	A0548	5	9
A0340	8	12	A0424	4	24	A0556	5	2
A0340	10	15	A0425	4	25	A0601	6	1
A0341	3	41	A0426	4	26	A0602	6	2
A0342	3	42	A0427	4	27	A0603	6	3
A0343	3	43	A0428	4	28	A0604	6	4
A0343	20	43	A0428	11	17	A0606	6	6
A0344	3	44	A0429	4	29	A0607	6	7
A0345	3	45	A0430	4	30	A0608	6	8
A0346	3	46	A0432	4	12	A0608	27	16
A0347	3	47	A0503	5	3	A0609	6	9
A0349	20	49	A0504	5	4	A0610	6	10
A0350	3	50	A0506	5	6	A0611	6	11
A0350	20	50	A0506	6	48	A0612	6	12
A0353	3	53	A0506	12	43	A0613	6	13
A0354	20	54	A0506	18	33	A0616	6	16
A0355	3	55	A0506	19	14	A0616	12	3
A0355	20	55	A0507	5	7	A0616	18	3
A0356	20	56	A0508	10	13	A0616	19	3
A0357	3	57	A0508	11	16	A0617	6	17

INDEX

Page=3

Parts No.	Page No.	Ref. No.	Parts No.	Page No.	Ref. No.	Parts No.	Page No.	Ref. No.
A0617	12	4	A0634	6	34	A0706	7	6
A0617	18	4	A0635	6	35	A0709	20	39
A0618	6	18	A0635	12	44	A0710	7	10
A0618	12	5	A0635	18	28	A0710	20	36
A0618	18	5	A0636	6	36	A07109	7	9
A0619	6	19	A0636	15	33	A0711	7	11
A0619	12	6	A0638	6	38	A0711	8	30
A0619	18	6	A0638	12	26	A0711	9	13
A0620	6	20	A0638	18	26	A0711	20	53
A0620	12	7	A0638	19	18	A0712	7	12
A0620	18	7	A0639	6	39	A0712	20	40
A0621	6	21	A0639	12	27	A0713	7	13
A0621	12	8	A0639	18	27	A0714	7	14
A0621	18	8	A0639	19	17	A0715	7	15
A0622	6	22	A0641	6	41	A0716	7	16
A0622	12	9	A0641	12	29	A0717	7	17
A0622	18	9	A0641	18	31	A0717	8	22
A0623	6	23	A0641	19	20	A0718	7	18
A0623	12	10	A0642	6	42	A0718	8	6
A0623	18	10	A0642	12	30	A0718	9	10
A0624	6	24	A0642	18	32	A0719	7	19
A0624	12	11	A0642	19	21	A0719	8	9
A0624	18	11	A0643	6	43	A0719	9	6
A0625	6	25-1	A0644	6	44	A0720	7	20
A0625	12	12-1	A0646	11	28	A0720	8	24
A0626	6	26	A0646	14	5	A0721	7	21
A0626	12	13	A0650	6	50	A0721	8	25
A0626	18	13	A0651	6	51	A0721	9	8
A0627	6	27	A0652	6	52	A0722	7	22
A0627	12	14	A0653	6	53	A0723	7	23
A0627	18	14	A0655	6	55	A0723	9	19
A0627	19	6	A0656	6	56	A0724	7	24
A0628	6	28	A0657	6	57	A0731	7	31
A0628	12	15	A0658	6	58	A0732	7	32
A0628	18	15	A0659	6	59	A0733	7	33
A0628	19	4	A0660	6	60	A0733	18	55
A0629	6	29	A0661	6	61	A0734	7	34
A0629	12	16	A0662	6	62	A0734	18	56
A0629	18	16	A0663	6	63	A0734	27	25
A0629	19	5	A0664	6	49	A0735	7	35
A0630	6	30	A0664	12	45	A0735	18	57
A0630	12	17	A0664	18	29	A0736	7	36
A0630	15	14	A0668	6	37	A0736	18	58
A0630	19	11	A0668	15	34	A0737	7	37
A0632	6	32	A0669	6	25-2	A0739	7	39
A0632	12	19	A0669	12	12-2	A0739	18	60
A0632	18	19	A0669	18	12	A0740	7	40
A0632	19	8	A0701	7	1	A0741	7	41
A0633	6	33	A0702	7	2	A0742	7	42
A0633	12	20	A0703	7	3	A0742	15	15
A0633	18	20	A0704	7	4	A0743	7	43
A0633	19	12	A0705	7	5	A0744	7	44

INDEX

Page=4

Parts No.	Page No.	Ref. No.	Parts No.	Page No.	Ref. No.	Parts No.	Page No.	Ref. No.
A0745	7	45	A0862	8	16	A1017	10	17
A0745	18	65	A0863	7	48	A1018	10	18
A0801	8	1	A0863	8	43	A1019	10	19
A0802	8	2	A0863	9	15	A1020	10	20
A0803	8	3	A0863	19	24	A1021	10	21
A0804	8	4	A0901	9	1	A1022	10	22
A0805	8	5	A0902	9	2	A1023	10	23
A0807	8	7	A0903	9	3	A1024	10	24
A0808	8	8	A0904	9	4	A1025	10	25
A0810	8	10	A0905	9	5	A1026	10	26
A0811	8	11	A0907	9	7	A1027	10	27
A0813	8	13	A0911	9	11	A1028	10	28
A0814	8	14	A0916	9	16	A1029	10	29
A0815	8	15	A0917	9	17	A1030	10	30
A0817	8	17	A0920	9	20	A1033	10	33
A0818	8	18	A0921	9	21	A1034	10	34
A0819	8	19	A0922	9	22	A1035	10	35
A0820	8	20	A0925	9	25	A1036	10	36
A0821	8	21	A0926	9	26	A1037	10	37
A0823	8	23	A0927	9	27	A1038	10	38
A0826	8	26	A0927	10	32	A1039	10	39
A0826	9	9	A0928	9	28	A1041	10	41
A0827	8	27	A0930	9	30	A1042	10	42
A0828	8	28	A0931	9	31	A1043	10	43
A0828	9	23	A0932	9	32	A1044	10	44
A0829	8	29	A0933	9	33	A1045	10	45
A0829	9	12	A0934	9	34	A1046	10	46
A0831	8	31	A0935	9	35	A1101	11	1
A0832	8	32	A0936	9	36	A1102	11	2
A0833	8	33	A0937	9	37	A1104	11	4
A0834	8	34	A0938	9	18	A1108	11	8
A0835	8	35	A0939	9	29	A1109	11	9
A0836	4	3	A1001	10	1	A1110	11	10
A0836	8	36	A1002	10	2	A1111	11	11
A0836	10	31	A1003	10	3	A1112	11	12
A0836	13	7	A1004	10	4	A1113	11	13
A0837	8	37	A1005	10	5	A1114	11	14
A0838	7	50	A1006	10	6	A1115	11	15
A0838	8	38	A1009	1	9	A1119	11	19
A0838	27	18	A1009	3	64	A1120	11	20
A0839	8	39	A1009	4	21	A1122	11	22
A0840	8	40	A1009	10	9	A1127	11	27
A0841	8	41	A1009	20	22	A1129	11	29
A0842	8	42	A1010	10	10	A1130	11	30
A0842	23	17	A1010	12	47	A1131	11	31
A0844	8	44	A1010	18	50	A1132	11	32
A0845	8	45	A1011	10	11	A1133	11	33
A0846	8	46	A1011	12	48	A1137	11	24
A0847	8	47	A1011	18	51	A1142	11	23
A0848	8	48	A1012	10	12	A1218	6	31
A0849	8	49	A1014	10	14	A1218	12	18
A0850	8	50	A1016	10	16	A1218	18	18

INDEX

Page=5

Parts No.	Page No.	Ref. No.	Parts No.	Page No.	Ref. No.	Parts No.	Page No.	Ref. No.
A1218	19	7	B0452	3	52	B13401	13	1
A1221	12	21	B0452	20	52	B1402	14	2
A1221	18	21	B05021	5	21-1	B1402	21	2
A1221	19	13	B0507	4	7	B1406	23	5
A1222	12	22	B0508	4	8	B1410	14	10
A1222	19	9	B05101	5	1	B1410	21	8
A1223	12	23	B05105	5	5	B1410	26	38
A1223	18	23	B05112	5	12-1	B1410	28	12
A1223	19	10	B06046	6	46	B14103	14	3
A1228	6	40	B07126	7	26	B14109	14	9
A1228	12	28	B07128	7	28	B14201	14	1
A1228	18	30	B07129	7	29	B14201	21	1
A1232	12	32	B07149	7	49	B14211	14	11
A1232	18	42	B07151	7	51	B1427	6	47
A1232	19	32	B0747	6	45	B1427	23	11
A1233	12	33	B08114	7	27	B14304	14	4
A1233	18	43	B0816	7	7	B14304	21	3
A1233	19	33	B0821	7	46	B1435	14	7
A1234	12	34	B0823	7	47	B1435	21	24
A1234	18	44	B0825	7	25	B1501	15	1
A1234	19	30	B0830	7	30	B1502	15	2
A1235	12	35	B0924	9	24	B1505	15	5
A1235	18	45	B10047	10	47	B1510	15	10
A1235	19	29	B1014	9	14	B15103	15	3
A1236	12	36	B11103	11	3	B15104	15	4
A1236	18	46	B11106	11	6	B15107	15	7
A1237	12	37	B11107	11	7	B1511	15	11
A1237	18	47	B11121	11	21	B15120	15	20
A1239	12	39	B12046	12	46	B15122	15	22
A1239	18	39	B12046	19	34	B15127	15	27
A1302	13	2	B12049	12	49	B15129	15	29
A1309	13	9	B12049	18	49	B15130	15	30
A15012	15	12	B12050	12	50-1	B15130	19	37
A15013	15	13	B12053	12	53	B15131	15	31
A20037	20	37	B12053	18	53	B15132	15	32
B01017	1	17	B12124	12	24	B1517	15	17
B01159	1	59	B12124	15	35	B1518	15	18
B01160	1	60	B12124	19	15	B1521	15	21
B0142	1	42	B12125	12	25	B15228	15	28
B02015	2	15	B12125	15	36	B1525	15	25
B02039	2	39	B12125	19	16	B1526	15	26
B0231	1	46	B1218	11	18	B16001	16	1
B0403	3	3	B1307	5	16	B16002	16	2
B0403	20	3	B1310	13	10	B16003	16	3
B0404	3	6	B13104	13	4	B16004	16	4
B0404	20	5	B13105	13	5	B16005	16	5
B04109	4	9	B1311	13	11	B16006	16	6
B04110	4	10	B1312	13	12	B16007	16	7
B0416	3	16	B1313	13	13	B16008	16	8
B0416	20	16	B1313	14	6	B16009	16	9
B0448	20	48	B1313	21	23	B16010	16	10
B0451	20	51	B1314	13	8	B16011	16	11

INDEX

Parts No.	Page No.	Ref. No.	Parts No.	Page No.	Ref. No.	Parts No.	Page No.	Ref. No.
B16012	16	12	B17102	17	2	B23106	21	6
B16013	16	13	B17102	22	2	B23119	21	19
B16014	16	14	B17103	17	3	B23126	21	22
B16015	16	15	B17103	22	3	B23213	21	5
B16016	16	16	B17104	17	4	B25019	19	19
B16017	16	17	B17104	22	4	B25022	19	22
B16018	16	18	B17213	17	13	B25023	19	23
B16019	16	19	B17213	22	18	B25026	19	26
B16020	16	20	B17219	17	19	B25027	19	27
B16021	16	21	B1746	20	45	B25035	19	35
B16022	16	22	B18003	5	21-2	B25043	19	43
B16023	16	23	B18036	5	12-2	B25046	19	36
B16024	16	24	B19042	12	50-2	B25049	19	38
B16025	16	25	B19042	18	35	B2505	15	23
B16026	16	26	B1917	18	17	B25051	19	39
B17005	17	5	B1922	18	22	B25052	19	40
B17005	22	5	B1924	18	24	B25053	19	41
B17005	24	11	B1925	18	25	B2506	15	24
B17005	25	11	B20048	18	48	B2508	15	19
B17005	26	11	B2101	18	34	B2520	13	3
B17005	28	15	B2106	18	59	B2522	14	8
B17006	17	6	B2108	18	61	B2522	21	25
B17006	22	6	B2109	18	62	B2524	27	43
B17007	17	7	B2110	18	63	B2527	24	31
B17007	22	7	B2111	18	64	B2566	21	7
B17008	17	8	B22114	17	20	B2567	13	14
B17008	22	8	B22114	21	14	B29002	23	2
B17009	17	9	B22114	22	14	B29003	23	3
B17009	22	9	B22115	17	21	B29003-8	28	7
B17009	24	10	B22115	21	15	B29004	23	4
B17009	25	10	B22115	22	15	B29004	26	36
B17009	26	10	B22119	22	19	B29010	23	10
B17010	17	10	B22123	22	23	B29012	23	12
B17010	22	10	B22124	21	11	B29016	23	16
B17011	17	11	B22124	22	24	B29042	23	42
B17011	22	11	B22125	17	23	B29042	24	30
B17012	17	12	B22125	21	12	B29120	23	20
B17012	22	12	B22125	22	25	B29123	23	23
B17015	17	15	B22125	24	15	B29123	27	34
B17015	21	21	B22125	25	15	B29128	23	28
B17015	22	26	B22125	26	15	B29128	27	36
B17015	23	43	B22213	17	22	B29133	24	33
B17015	24	6	B22213	21	13	B29135	24	35
B17015	25	6	B22213	22	13	B29136	24	36
B17015	26	6	B22213	24	16	B29137	24	34
B17015	28	16	B22213	25	16	B29137	26	39
B17101	17	1	B22213	26	16	B29140	23	40
B17101	22	1	B22216	22	16	B29140	27	41
B17101	24	8	B23009	21	9	B29209	23	9
B17101	25	8	B23010	21	10	B29219	23	19
B17101	26	8	B23013	26	9	B29219	27	33
B17101	28	1	B23104	21	4	B29314	23	14

INDEX

Page=7

Parts No.	Page No.	Ref. No.	Parts No.	Page No.	Ref. No.	Parts No.	Page No.	Ref. No.
B29314	27	27	B60104	19	2	CT5034	23	34
B29329	23	29	B60110H	18	2	CT5036	23	36
B29329	27	37	B60112	12	2-2	CT5037	23	37
B29501	23	1	C01011	13	15	CT6038	23	38
B30001	24	1	C01025	13	6	DT1001	27	1
B30001	25	1	C02016-1	1	41	DT1002	27	2
B30009	24	9	C02017	23	18	DT1003	27	3
B30009	25	9	C02017	27	32	DT1004	27	4
B30013	24	13	C02021	1	62	DT1007	27	7
B30013	25	13	C02029	23	13	DT1008	27	8
B30013	26	13	C02029	24	29	DT1009	27	9
B30013	28	13	C02031	27	6	DT1010	27	10
B30014	24	14	C02031	27	21	DT1012	27	12
B30014	25	14	C02044	24	27	DT1014	27	14
B30014	26	14	C02044	25	27	DT1019	27	19
B30014	28	14	C02044	26	27	DT1020	27	20
B30017	24	17	C02044	28	20	DT1023	27	23
B30018	24	18	C02049	23	35	DT1028	27	28
B30020	24	20	C03030	24	32	DT1030	27	30
B30020	25	20	C03030	28	9	DT1031	27	31
B30020	26	20	C03041	23	15	DT1122	27	22
B30021	24	21	C03041	27	26	E02032	27	15
B30021	25	21	C03041	27	44	E02032	28	3
B30021	26	21	C04049	25	30	E11007	27	11
B30022	24	22	C04052	17	17	F62001	10	7
B30022	25	22	C04052	21	18	G62001	12	31
B30022	26	22	C04052	22	21	G62001	19	31
B30022	28	22	C04052	24	4	G62002	18	41
B30023	24	23	C04052	25	4	M62452	5	40-1
B30023	25	23	C04052	26	4	M62460	5	40-2
B30023	26	23	C05024	23	27	P52001	6	14-1
B30023	28	17	C05024	27	38	P52012	12	1-1
B30024	24	24	C06006	4	4	P60001	6	14-2
B30024	25	24	C06040	27	5	P60004	19	1
B30024	26	24	C06043	26	37	P60012	12	1-2
B30024	28	18	C06043	27	29	P60H10	18	1
B30025	24	25	C07025	24	28	R62001	10	8
B30025	25	25	C08042	27	42	R62002	12	41
B30025	26	25	C15006	15	6	R62002	18	37
B30025	28	19	C16005	19	42	S62052	5	45-1
B30101	26	1	C17004	15	16	S62052	12	51-1
B30102	24	2	C24046	24	19	S62060	5	45-2
B30102	25	2	C24046	25	19	S62060	12	51-2
B30102	26	2	C24046	26	19	S62060	18	36
B30112	24	12	CT1022	23	22	S62152	5	44-1
B30112	25	12	CT1044	23	44	S62160	5	44-2
B30217	26	17	CT1045	23	45	S62252	12	42-1
B30218	26	18	CT1045	27	45	S62260	12	42-2
B30218	28	23	CT1046	23	46	S62260	18	54
B52101	6	15-1	CT1046	27	46	SC16002	28	2
B52112	12	2-1	CT5032	23	32	SC16004	28	4
B60101	6	15-2	CT5033	23	33	SC16006	28	6

INDEX

<u>Parts No.</u>	<u>Page No.</u>	<u>Ref. No.</u>	<u>Parts No.</u>	<u>Page No.</u>	<u>Ref. No.</u>	<u>Parts No.</u>	<u>Page No.</u>	<u>Ref. No.</u>
SC16008	28	8						
SC16011	28	11						
SC7017	25	17						
SC7018	25	18						
SC7028	25	28						
SC7029	25	29						
SC7032	25	32						
SC7033	25	33						
SC7034	25	34						
SC7035	25	35						
SC7036	25	36						
SC9012	26	12						
SC9029	26	29						
SC9030	26	30						
SC9031	26	31						
SC9032	26	32						
SC9033	26	33						
SC9035	26	35						
U01021	19	28						
U02009	27	17						
U03003	28	5						
U05004	22	20						
U05004	24	3						
U05004	25	3						
U05006	17	18						
U05006	21	20						
U05006	22	22						
U05006	23	39						
U05006	24	5						
U05006	25	5						
U05006	26	5						
U05010	26	28						
U05012	17	14						
U05012	21	16						
U05012	22	17						
U05012	23	41						
U05012	24	7						
U05012	25	7						
U05012	26	7						
U05014	17	16						
U05014	21	17						
U05014	26	3						
U06004	26	34						
U09022	28	10						
U13016	19	25						
U13019	23	31						
U13019	24	26						
U13019	25	26						
U13019	26	26						
U13019	27	40						
U13019	28	21						