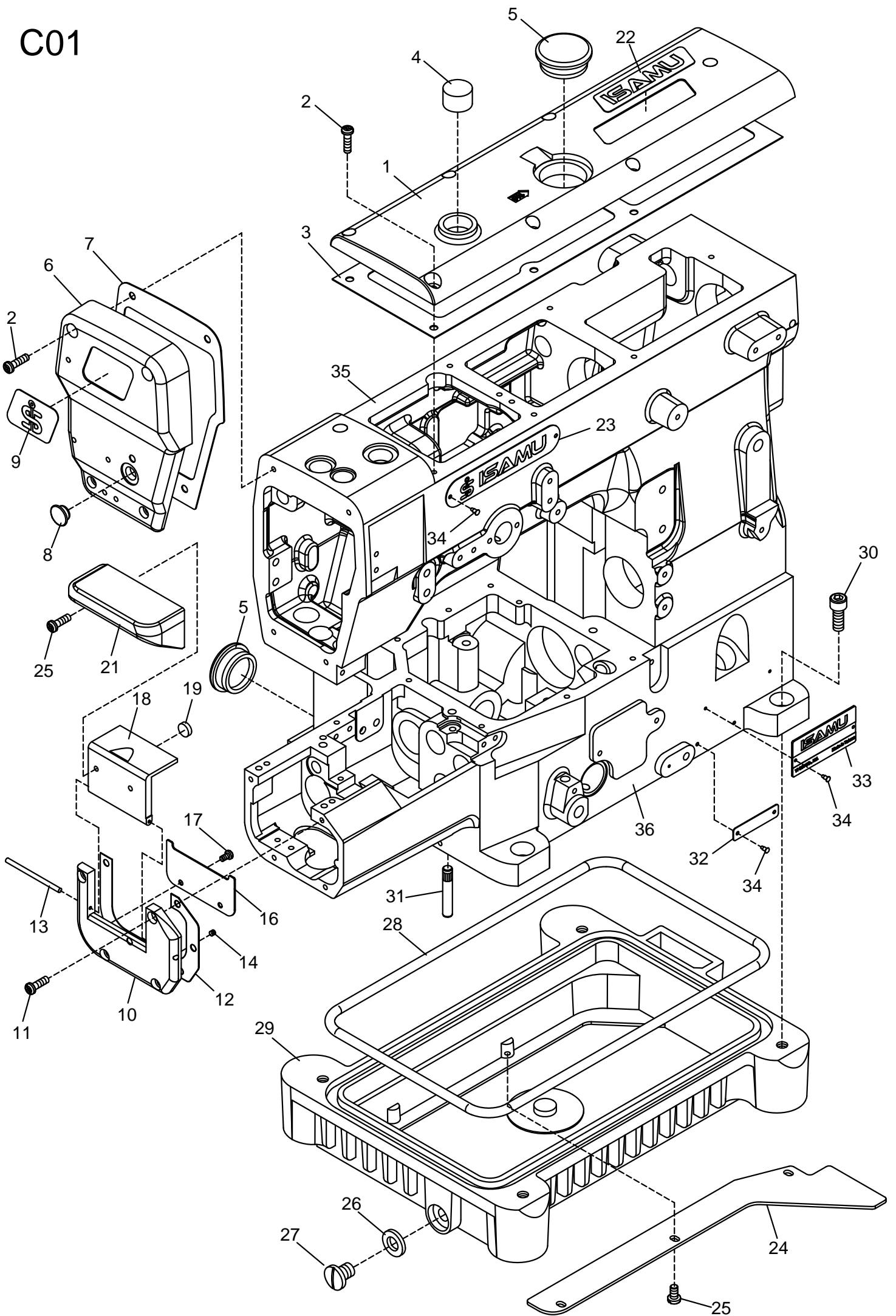


**CONTENTS****目錄**

MISCELLANEOUS COVERS(1)	機殼機構 (1)	C01
MISCELLANEOUS COVERS (2)	機殼機構 (2)	C02
MISCELLANEOUS THREAD EYELETS	過線機構	C03
MISCELLANEOUS BUSHINGS & EYE GUARD	套管機構及護目鏡	C04
NEEDLE GUARD & MAIN SHAFT DRIVING MECHANISM	頂針片及下主軸機構組	C05
UPPER SHAFT & NEEDLE THREAD TAKE-UP MECHANISM	上主軸及針線提線機構	C06
NEEDLE BAR MECHANISM	針棒機構	C07
PRESSER FOOT MECHANISM	壓腳機構	C08
SPREADER MECHANISM	上節線驅動機構	C09
LOOPER DRIVING MECHANISM	下勾針驅動機構	C10
FEED DRIVING CONTROL MECHANISM	送料具驅動控制機構	C11
FEED DRIVING MECHANISM	送料具驅動機構	C12
LUBRICATING MECHANISM	潤滑機構	C13
THREAD STAND	線架	C14
ACCESSORIES (1)	附件 (1)	C15
ATTACHMENT FOR HEMMING & SEAM COVERING	專用配件	C16
ACCESSORIES (2)	附件 (2)	C17
TABLE BOARD IAGRAM	桌板圖	C18
TABLE BOARD IAGRAM	桌板圖	C19
Puller Mechanism For P(1)	輔助拖輪機構(1)	C20
Puller Mechanism For P(2)	輔助拖輪機構(2)	C21
Puller Mechanism For P(3)	輔助拖輪機構(3)	C22
Puller Mechanism For P(4)	輔助拖輪機構(4)	C23
721 KNIFE DRIVING MECHANISM	721切刀驅動機構	C24
721 MISCELLANEOUS COVERS	721機殼機構	C25
735 Attaching ElasticTape Mechanism(1)	735環縫鬆緊帶機構(1)	C26
735 Attaching ElasticTape Mechanism(2)	735環縫鬆緊帶機構(2)	C27
735 Attaching ElasticTape Mechanism(3)	735環縫鬆緊帶機構(3)	C28
735 Attaching ElasticTape Mechanism(4)	735環縫鬆緊帶機構(4)	C29
735 Attaching ElasticTape Mechanism(5)	735環縫鬆緊帶機構(5)	C30
721 ATTACHMENT FOR HEMMING & SEAM COVERING	721專用配件	C31
735 ATTACHMENT FOR HEMMING & SEAM COVERING	735專用配件	C32
AUTO TRIMMER THREAD PULL-OFF MECHANISM (PNEUMATIC TYPE)	氣壓式自動切線鬆線機構	U01
UNDER THREAD TRIMMER (PNEUMATIC TYPE)	氣壓式下切刀驅動機構	U02
UNDER THREAD TRIMMER	下切刀驅動機構	U03
PRESSER FOOT LIFTER (PNEUMATIC TYPE)	氣壓式抬壓腳	U04
AIR ASSEMBLY LINE	氣動切線裝置線路圖	U05
TOP THREAD TRIMMER (PNEUMATIC TYPE)	氣壓式上切刀機構	U06
UNDER THREAD WIPER (PNEUMATIC TYPE)	氣壓式上吹線機構	U07
UNDER THREAD WIPER (ELECTRIC TYPE)	電磁式上撥線機構	U08
TOP THREAD TRIMMER (ELECTRIC TYPE)	電磁式上切刀機構	U09
CS DEVICE	密縫裝置	U10
SOVER MOTOR	伺服馬達	U11
AUTO TRIMMER THREAD PULL-OFF MECHANISM (ELECTRIC TYPE)	電磁式自動切線鬆線機構	U12
UNDER THREAD TRIMMER (ELECTRIC TYPE)	電磁式下切刀驅動機構	U13
PRESSER FOOT LIFTER (ELECTRIC TYPE)	電磁式抬壓腳	U14

C01



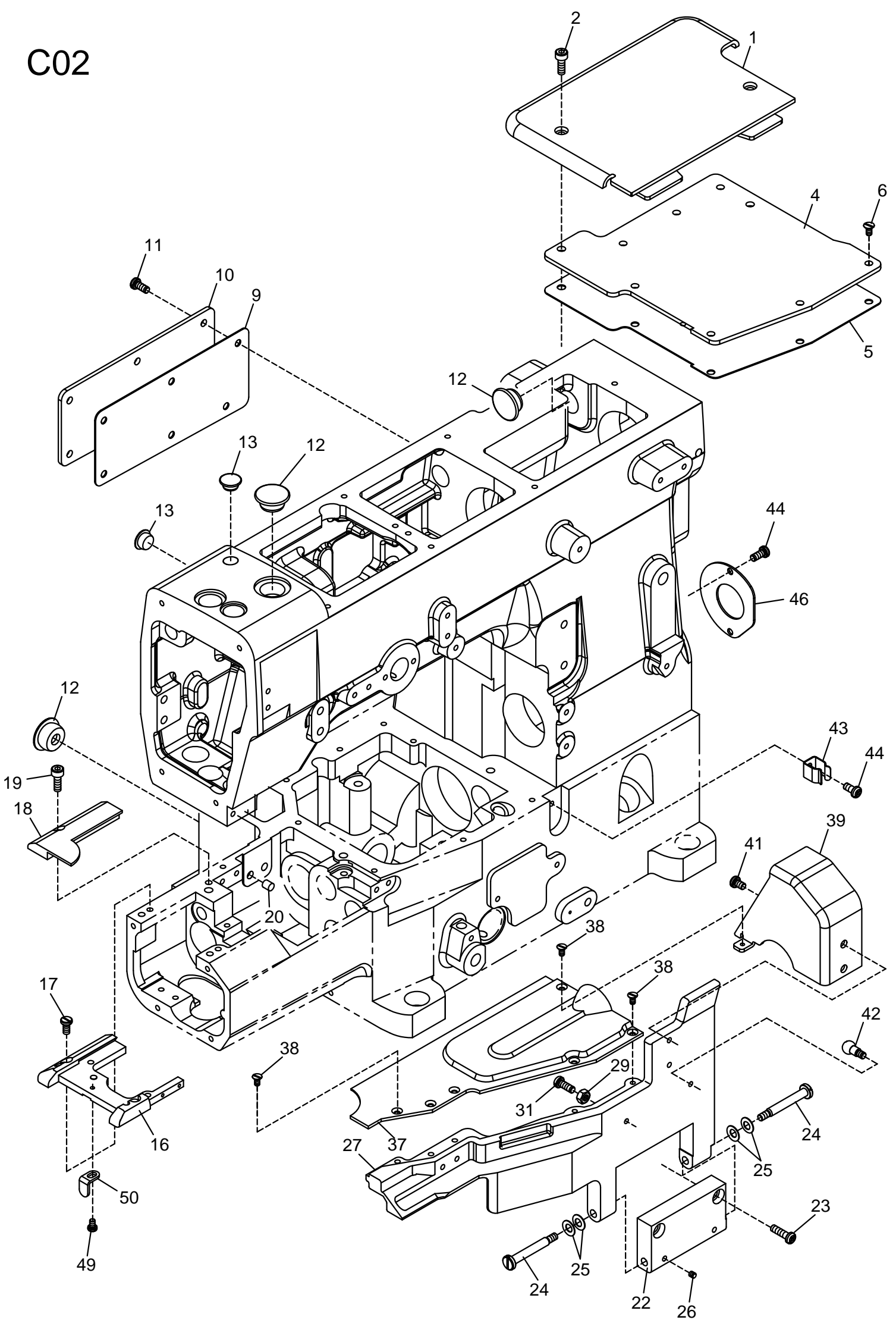
## MISCELLANEOUS COVERS (1)

## 機殼機構(1)

C01

Ref.No	Parts.No	Description	品名	Amt.Req.
1	C01001	Top Cover	上蓋	1
2	C01002	Screw(M4-0.7x12)	螺絲	11
3	C01003	Top Cover Gasket	上蓋墊片	1
4	C01004	Oil Sight Window	上油鏡	1
5	C01005	Seal Plug	止油膠塞	2
6	C01006	Head Cover	上側蓋	1
7	C01007	Head Cover Gasket	上側蓋墊片	1
8	A0149	Seal Plug	油塞	1
9	C01009	Emblem	銘牌	1
10	C01010	Side Cover(Lower)	側蓋(下)	1
11	C01011	Screw (M4-0.7x10)	螺絲	4
12	C01012	Side Cover Gasket	側蓋止油墊	1
13	C01013	Side Cover Hinge Pin	側蓋樞鈕插銷	1
14	C01014	Screw (M3-0.5x3)	螺絲	1
15				
16	C01016	Oil Defender	防油板	1
17	C02049	Screw(M3-0.5x3.5)	螺絲	2
18	C01018	Side Cover(Upper)	側蓋(上)	1
19	C01019	Magnet	磁鐵	1
20				
21	C01021	Extension Cover	延長蓋	1
22	C01022	Emblem	銘牌	1
23	B01017	Brand Name Sticker	銘牌	1
24	C01024	Wind Guide Plate	風導板	1
25	C01025	Screw (M4-0.7x8)	螺絲	5
26	C01026	Drain Hole Seal	排油螺絲油封	1
27	C01027	Screw(3/8-24x8)	螺絲	1
28	C01028	Oil Reservoir Gasket	油槽止油膠墊	1
29	C01029	Oil Reservoir	油槽	1
30	C01030	Screw(M8-1.25x20)	螺絲	4
31	C01031	Machine Frame Supporting Bar	機體支柱	4
32	A0121	Serial Number Plate	機台序號牌	1
33	B02015	Model Plate	型號銘牌	1
34	A01022	Rivet	鉚釘	6
35	C01135	Theravada	上座	1
36	C01036	Xiazuo	下座	1

C02



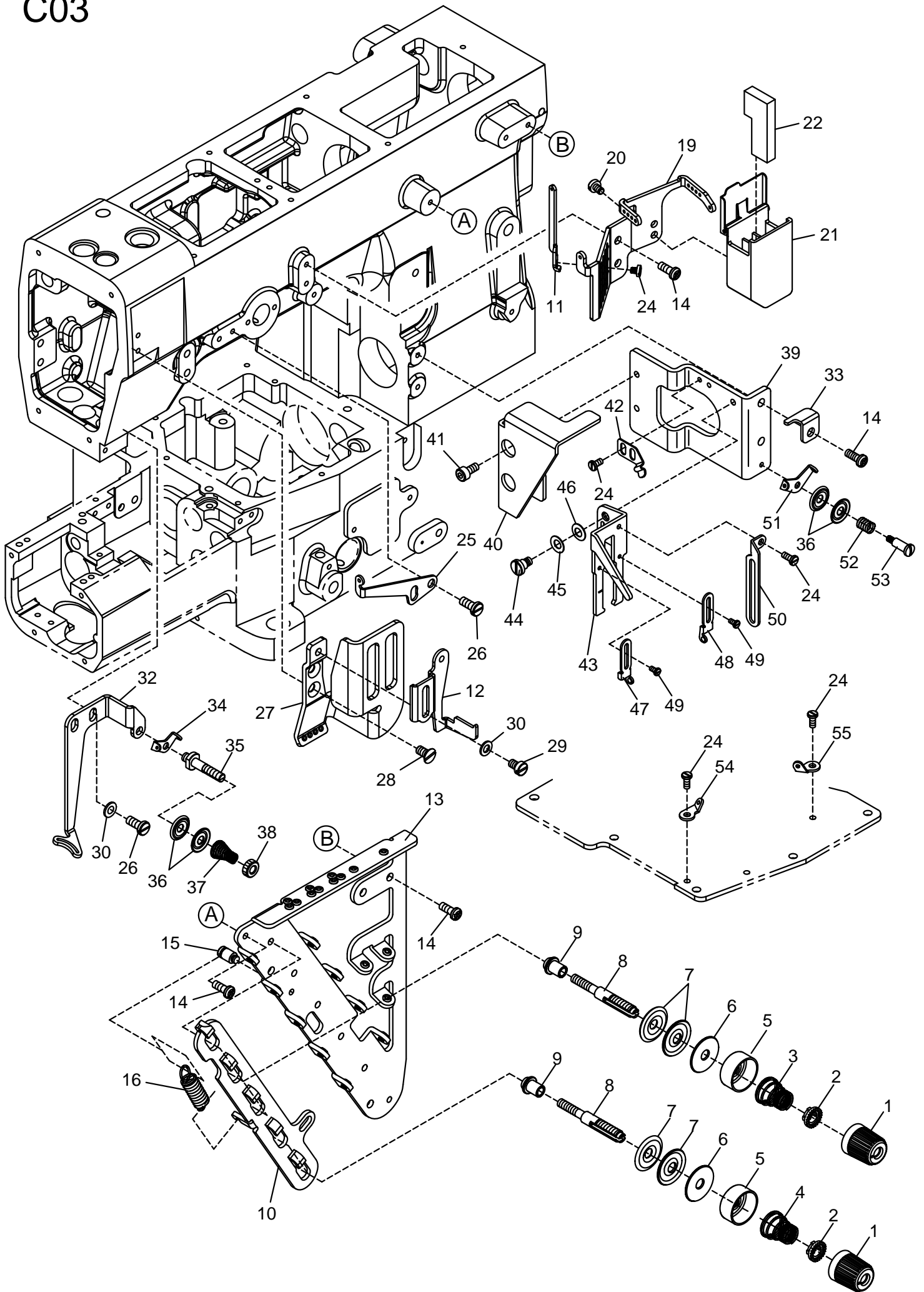
## MISCELLANEOUS COVERS (2)

## 機殼機構(2)

C02

Ref.No	Parts.No	Description	品名	Amt.Req.
1	C02001	Cloth Plate(Large)	縫製平台	1
2	C02002	Screw(M4-0.7×12)	螺絲	2
3				
4	C02004	Crank Chamber Cover	曲軸室上蓋	1
5	C02005	Crank Chamber Cover Gasket	曲軸室墊片	1
6	C02006	Screw(M4-0.7×7.3)	螺絲	7
7				
8				
9	C02009	Rear Cover Gasket	後蓋墊片	1
10	C02010	Rear Cover	後蓋	1
11	C01025	Screw (M4-0.7×8)	螺絲	6
12	A01048	Seal Plug	止油膠塞	3
13	A01049	Seal Plug	止油膠塞	2
14				
15				
16	C02016	Stitch Plate Holder	針板支架	1
17	C02017	Screw (M4-0.7×8)	螺絲	2
18	C02018	Slide Cover Supplementary Block	滑件補助蓋	1
19	C03041	Screw (M4-0.7×6)	螺絲	1
20	C02020	Seal Plug(Ø4.9×4.3)	止油膠塞	2
21				
22	C02022	Front Cover Hinge	前蓋絞鏈	1
23	C02023	Screw(M4-0.7×14)	螺絲	2
24	C02024	Screw(M4-0.7×8)	螺絲	2
25	C02025	Conical Spring Washer	錐形彈簧墊圈	4
26	C02026	Screw (M4-0.7×4)	螺絲	2
27	C02027	Front Cover(Lower)	前蓋底座	1
28				
29	C02029	Nut	螺帽	1
30				
31	C02031	Screw(M4-0.7×12)	螺絲	1
32				
33				
34				
35				
36				
37	C02037	Front Cover(Upper)	前蓋頂座	1
38	C02038	Screw(M3-0.5×6)	螺絲	6
39	C02039	Thread Take-up Cover(Front)	提線蓋(前)	1
40				
41	C02041	Screw(M4-0.7×6)	螺絲	2
42	C02042	Screw(M4-0.7×5)	螺絲	1
43	C02043	Cover Latch Spring	鎖門彈簧	1
44	C02044	Screw (M4-0.7×5)	螺絲	3
45				
46	C02146	Ball Bearing Holder	軸承固定壓板	1
47				
48				
49	C02049	Screw(M3-0.5×3.5)	螺絲	1
50	C02050	Holder Plate	定位板	1

C03



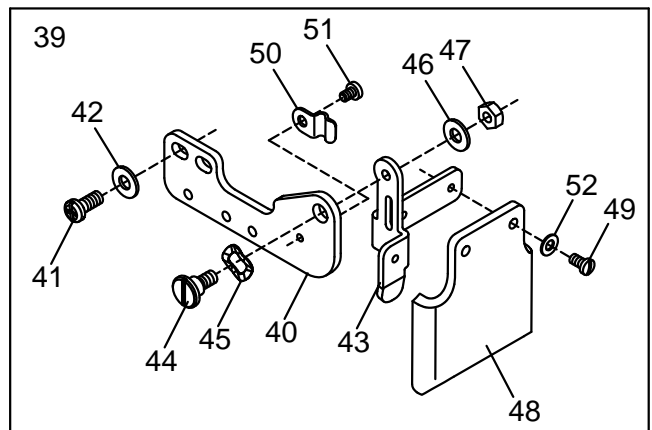
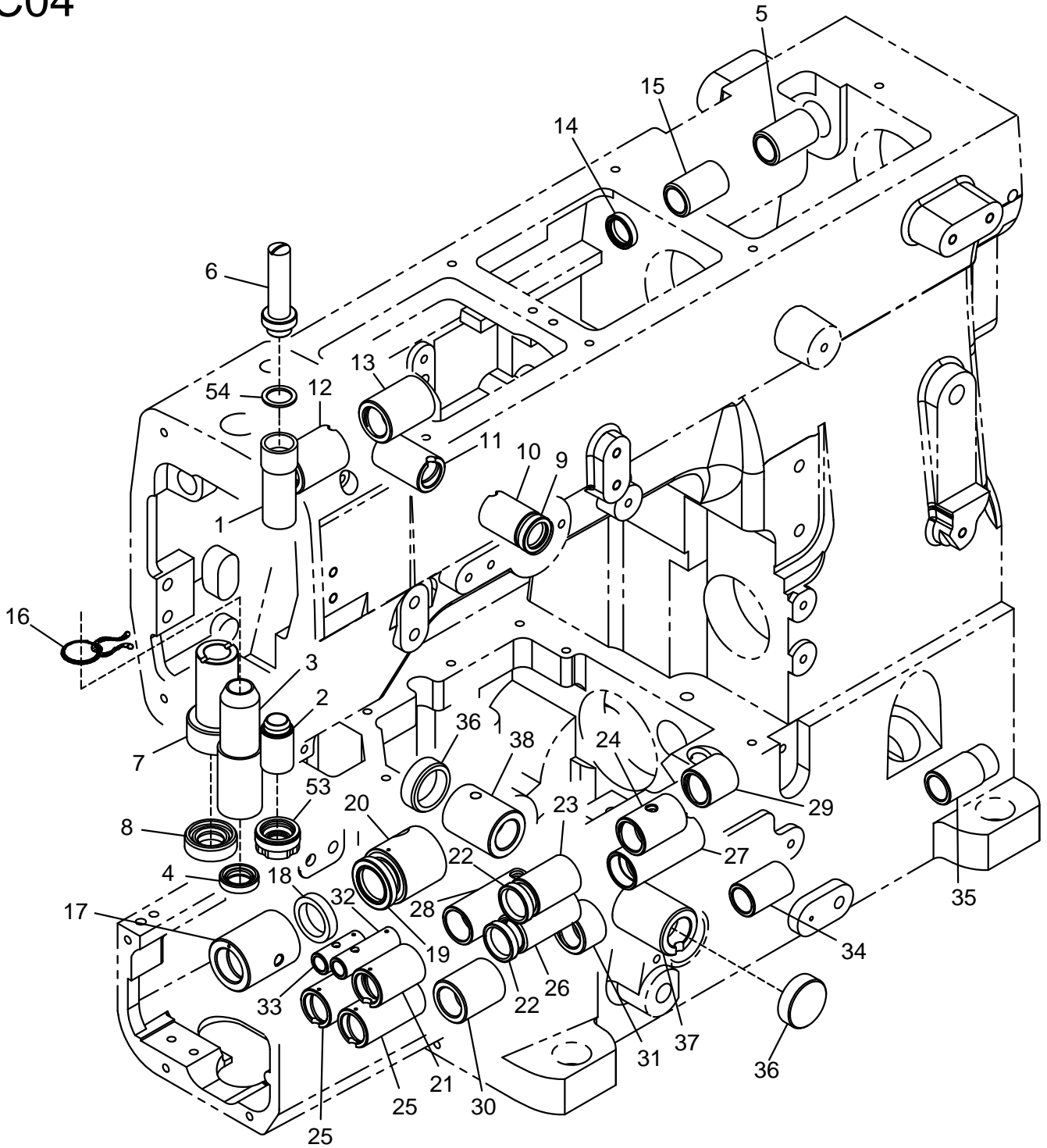
## MISCELLANEOUS THREAD EYELETS

## 過線機構

C03

Ref.No	Parts.No	Description	品名	Amt.Req.
1	C03001	Thread Tension Spring Cap	上線張力彈簧調整鈕	5
2	C03002	Tension Spring Bushing	張力彈簧套管	5
3	C03003	Tension Spring(Needle)	針線張力彈簧	3
4	C03004	Tension Spring(Looper , Top Cover)	下勾針,上飾線張力彈簧	2
5	C03005	Thread Tension Spring Retainer	上線張力彈簧固定座	5
6	C03006	Felt	吸油氈	5
7	A03023	Tension Disc	張力調整盤	10
8	C03008	Tension Post	上線張力彈簧支柱	5
9	C03009	Tension Post Ferrule	上線張力彈簧支柱套圈	5
10	C03010	Tension Disc Separator	上線張力圓盤分離器	1
11	C03011	Tension Disc Eyelet	上線張力導孔片	3
12	C03112	Needle Thread Guide	針線導架	1
13	C03013	Tension Post Support	上線張力組支柱架	1
14	C01025	Screw (M4-0.7x8)	螺絲	8
15	C03015	Screw	螺絲	1
16	C03016	Spring	彈簧	1
17				
18				
19	C03219	Needle Thread Eyelet Bracket	針線過線架	1
20	C03020	Tapping Screw(3x6mm)	螺絲	2
21	C03021	SP Container	矽油儲存槽	1
22	C03022	Felt	吸油氈	1
23				
24	C02049	Screw(M3-0.5x3.5)	螺絲	8
25	C03125	Top Cover Thread Eyelet(Upper)	上飾線過線桿(上)	1
26	C02017	Screw (M4-0.7x8)	螺絲	4
27	C03127	Needle Thread Take-up Guard	針線提線桿護架	1
28	C02006	Screw(M4-0.7x7.3)	螺絲	2
29	C02041	Screw(M4-0.7x6)	螺絲	1
30	C03030	Washer	墊片	3
31				
32	C03132	Top Cover Thread Guide	上飾線導板	1
33	C03033	Eyelet Holder Stopper	導片支架止栓	1
34	C03034	Top Cover Thread Eyelet	上飾線過線桿	1
35	C03035	Tension Post	上線張力彈簧支柱	1
36	C03036	Top Cover Tension Disc	上飾線張力調整盤	4
37	C03037	Top Cover Tension Spring	上飾線張力彈簧	1
38	C03038	Nut	螺帽	1
39	C03039	Thread Take-up Eyelet Bracket	提線導板架	1
40	C03040	Thread Take-up Cover(Rear)	提線蓋(後)	1
41	C03041	Screw (M4-0.7x6)	螺絲	2
42	C03042	Latch Spring	插銷彈簧	1
43	C03043	Thread Take-up Eyelet Holder	提線導板支架	1
44	C03044	Screw(M4-0.7x4)	螺絲	1
45	C02025	Conical Spring Washer	錐形彈簧墊圈	1
46	B25024	Washer	墊片	1
47	C03047	Thread Take-up Eyelet(Left)	提線導板(左)	1
48	C03048	Thread Take-up Eyelet(Right)	提線導板(右)	1
49	C03049	Screw(M2.5-0.45x3.5)	螺絲	2
50	C03050	Looper Thread Guide	勾針線導板	1
51	C03051	Looper Thread Eyelet	底線輔助導板	1
52	C03052	Looper Thread Retainer Spring	底線彈簧	1
53	C03053	Screw(M3-0.5x5)	螺絲	1
54	C03054	Looper Thread Eyelet(Left)	勾針線過線孔(左)	1
55	C03055	Looper Thread Eyelet(Right)	底線輔助導板(右)	1

C04





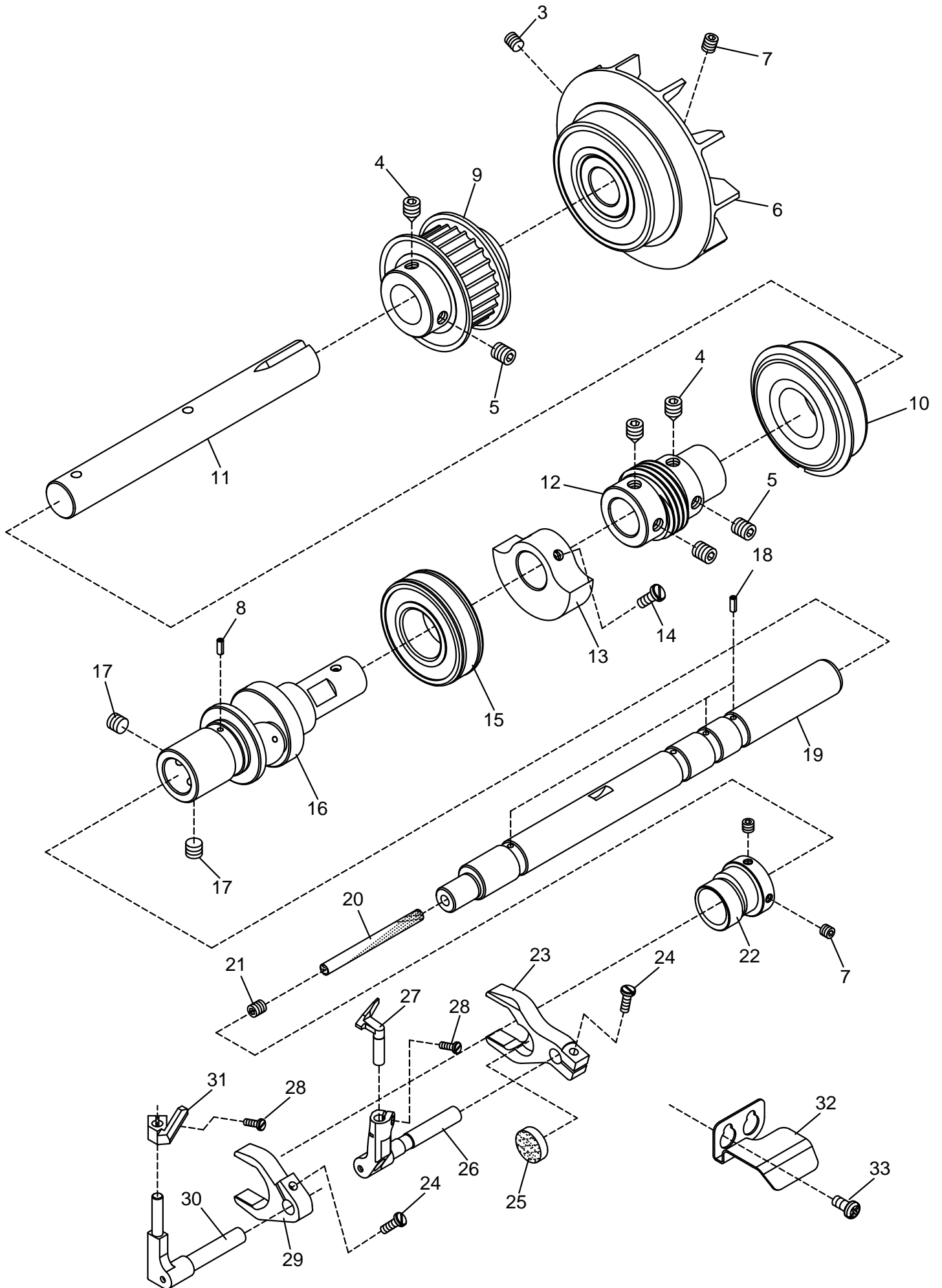
## MISCELLANEOUS BUSHINGS &amp; EYE GUARD

## 套管機構及護目鏡

C04

Ref.No	Parts.No	Description	品名	Amt.Req.
1	C04101	Needle Bar Bushing(Upper)	針柱套管(上)	1
2	C04002	Needle Bar Bushing(Lower)	針柱套管(下)	1
3	C04003	Presser Bar Bushing	壓腳套管	1
4	C04004	Oil Seal	油封	1
5	C04005	Foot Lifter Lever Bushing(Right)	抬壓腳連接桿套管(右)	1
6	A0424	Needle Bar Bushing(Upper)Lid	針柱套管(上)蓋	1
7	C04007	Spreader Driving Bar Bushing	上飾線打線器套管	1
8	C04008	Oil Seal	油封	1
9	C04009	Oil Seal	油封	1
10	C04010	Needle Thread Take-up Bushing(Front)	針線提線桿套管(前)	1
11	C04111	Needle Thread Take-up Bushing(Rear)	針線提線桿套管(後)	1
12	C04012	Spreader Driving Shaft Bushing(Left)	上飾線打線器傳動軸套管(左)	1
13	C04013	Spreader Driving Shaft Bushing(Right)	上飾線打線器傳動軸套管(右)	1
14	C04014	Oil Seal	油封	1
15	C04015	Foot Lifter Lever Bushing	抬壓腳連接桿套管(左)	1
16	C04016	Oil Wick	油芯	1
17	C04017	Lower Shaft Bushing(Left)	下傳動軸套管(左)	1
18	C04018	Oiling Felt	吸油氈	1
19	C04019	Oil Seal	油封	1
20	C04020	Lower Shaft Bushing(Right)	下傳動軸套管(右)	1
21	C04021	Feed Bar Lift Shaft Bushing(Left)	送料具傳動軸套管(左)	1
22	C04022	Oil Seal	油封	2
23	C04023	Feed Bar Lift Shaft Bushing(Middle)	送料具傳動軸套管(中)	1
24	C04024	Feed Bar Lift Shaft Bushing(Right)	送料具傳動軸套管(右)	1
25	C04025	Feed Bar Shaft Bushing(Left)	送料具傳動軸套管(左)	2
26	C04026	Differential Feed Bar Shaft Bushing(Middle)	差動送料具傳動軸套管(中)	1
27	C04027	Differential Feed Bar Shaft Bushing(Right)	差動送料具傳動軸套管(右)	1
28	C04028	Feed Bar Shaft Bushing(Middle)	送料具傳動軸套管(中)	1
29	C04029	Feed Bar Shaft Bushing(Right)	送料具傳動軸套管(右)	1
30	C04030	Main Feed Lever Shaft Bushing(Left)	送料具傳動軸套管(左)	1
31	C04031	Main Feed Lever Shaft Bushing(Right)	主送料軸套管(右)	1
32	C04032	Needle Guard Holder Bushing(Front)	頂針片固定座套管(前)	1
33	C04033	Needle Guard Holder Bushing(Rear)	頂針片固定座套管(後)	1
34	C04034	Differential Lever Shaft Bushing(Left)	差動送料軸套管(左)	1
35	C04035	Differential Lever Shaft Bushing(Right)	差動送料軸套管(右)	1
36	C04036	Seal Plug	止油膠塞	2
37	C04037	Looper Driving Shaft Bushing(Front)	下勾針傳動軸套管(前)	1
38	C04038	Looper Driving Shaft Bushing(Rear)	下勾針傳動軸套管(後)	1
39	C04039	Eye Guard. Complete Set	護目鏡組	1
40	C04040	Air Wiper Bracket	氣制支架	1
41	C02017	Screw (M4-0.7x8)	螺絲	2
42	C03030	Washer	墊片	2
43	C04043	Eye Guard Holder	護目鏡支架	1
44	C04044	Screw(M4-0.7x7)	螺絲	1
45	C04045	Conical Spring Washer	錐形彈簧墊圈	1
46	C04046	Washer	墊片	1
47	C02029	Nut	螺帽	1
48	C04048	Eye Guard	護目鏡	1
49	C04049	Screw (M3-0.5x6.5)	螺絲	2
50	C04050	Stopper Spring	止栓墊片	1
51	C02049	Screw(M3-0.5x3.5)	螺絲	1
52	C04052	Washer	墊片	2
53	C04053	Oil seal	油封	1
54	A0425	Gasket	墊片	1

C05



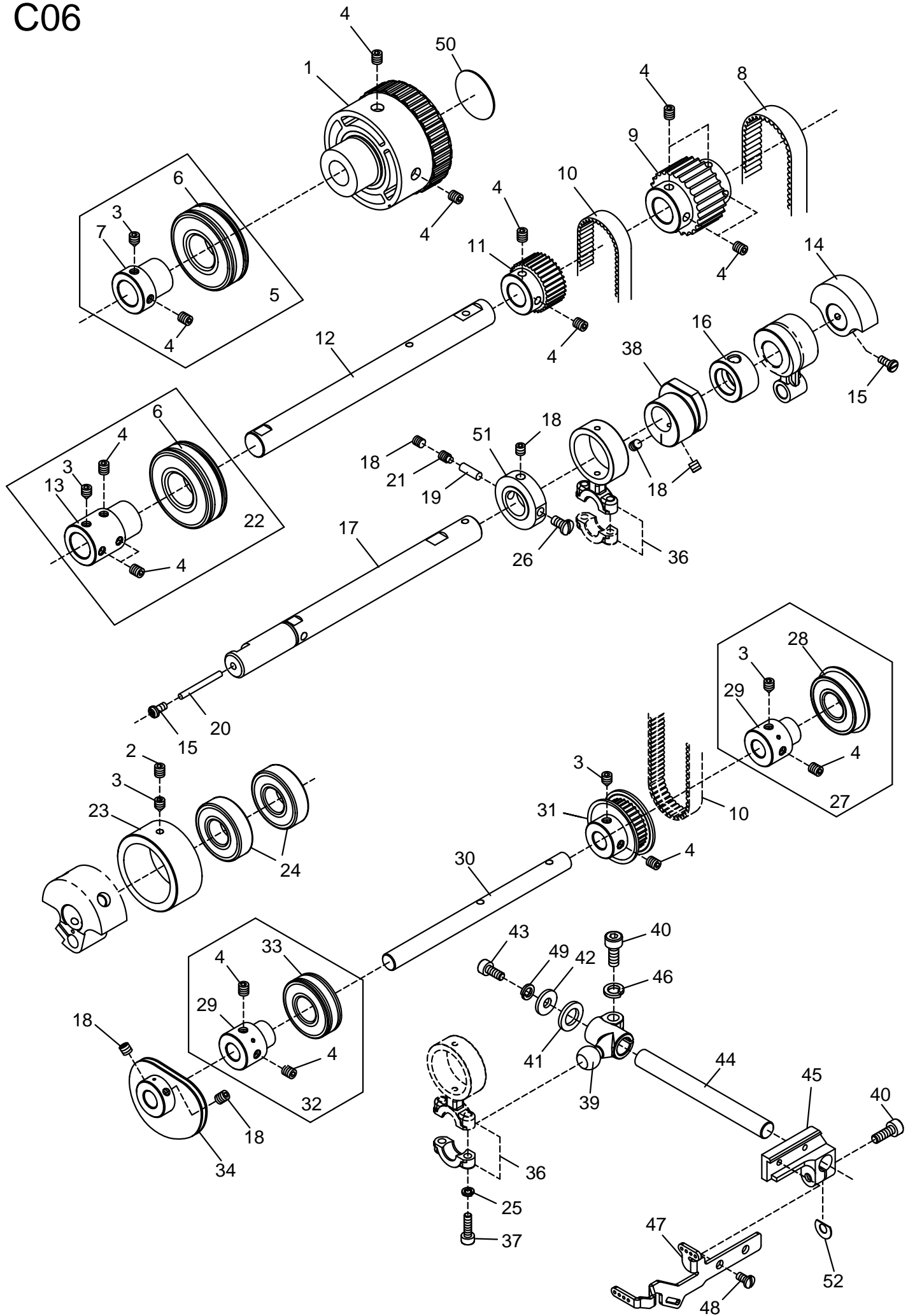
## NEEDLE GUARD &amp; MAIN SHAFT DRIVING MECHANISM

## 頂針片及下主軸機構組

C05

Ref.No	Parts.No	Description	品名	Amt.Req.
1				
2				
3	C05003	Screw(M4-0.7x4)	螺絲	1
4	C05004	Screw(M6-1x8)	螺絲	3
5	C02021	Screw(M6-1x6)	螺絲	5
6	C05006	Oil Cooling Fan Unit	冷卻扇組	1
7	C10002	Screw (M4-0.7x5)	螺絲	2
8	C05008	Spring Pin(Ø3x8mm)	固定銷	1
9	C05009	Main Shaft Sprocket(Lower)	下主軸鏈輪	1
10	C05010	Ball Bearing(Middle)	滾珠培林(中)	1
11	C05011	Lower Shaft(Right)	下傳動軸(右)	1
12	C05012	Oil Pump Driving Worm	油泵傳動連桿組件	1
13	C05013	Counterweight(Small)	平衡配重凸輪(小)	1
14	C02017	Screw (M4-0.7x8)	螺絲	2
15	C05015	Ball Bearing(Left)	滾珠培林(左)	1
16	C05016	Lower Shaft(Middle)	下傳動軸(中)	1
17	C05017	Screw(M6-1.0x4.8)	止付螺絲	2
18	C05018	Spring Pin(Ø2x6mm)	固定銷	3
19	C05019	Lower Shaft(Left)	下傳動軸(左)	1
20	C05020	Oil Wick(Ø4.4x100mm)	油芯	1
21	C05021	Screw(M5-0.8x5)	止付螺絲	1
22	C05022	Needle Guard Eccentric	頂針片偏心輪	1
23	C05023	Needle Guard(Front) Lever	頂針片(前)槓桿	1
24	C05024	Screw(M3-0.5x10)	螺絲	2
25	C05025	Felt	油氈	1
26	C05026	Needle Guard(Front) Holder	頂針片(前)支架	1
27	C05027	Needle Guard(Front)	頂針片(前)	1
28	C04049	Screw (M3-0.5x6.5)	螺絲	2
29	C05029	Needle Guard(Rear) Lever	頂針片(後)槓桿	1
30	C05030	Needle Guard(Rear) Holder	頂針片(後)支架	1
31	C05031	Needle Guard(Rear)	頂針片(後)	1
32	C05032	Needle Guard Lever Cover	頂針片槓桿蓋	1
33	C02044	Screw (M4-0.7x5)	螺絲	2

# C06



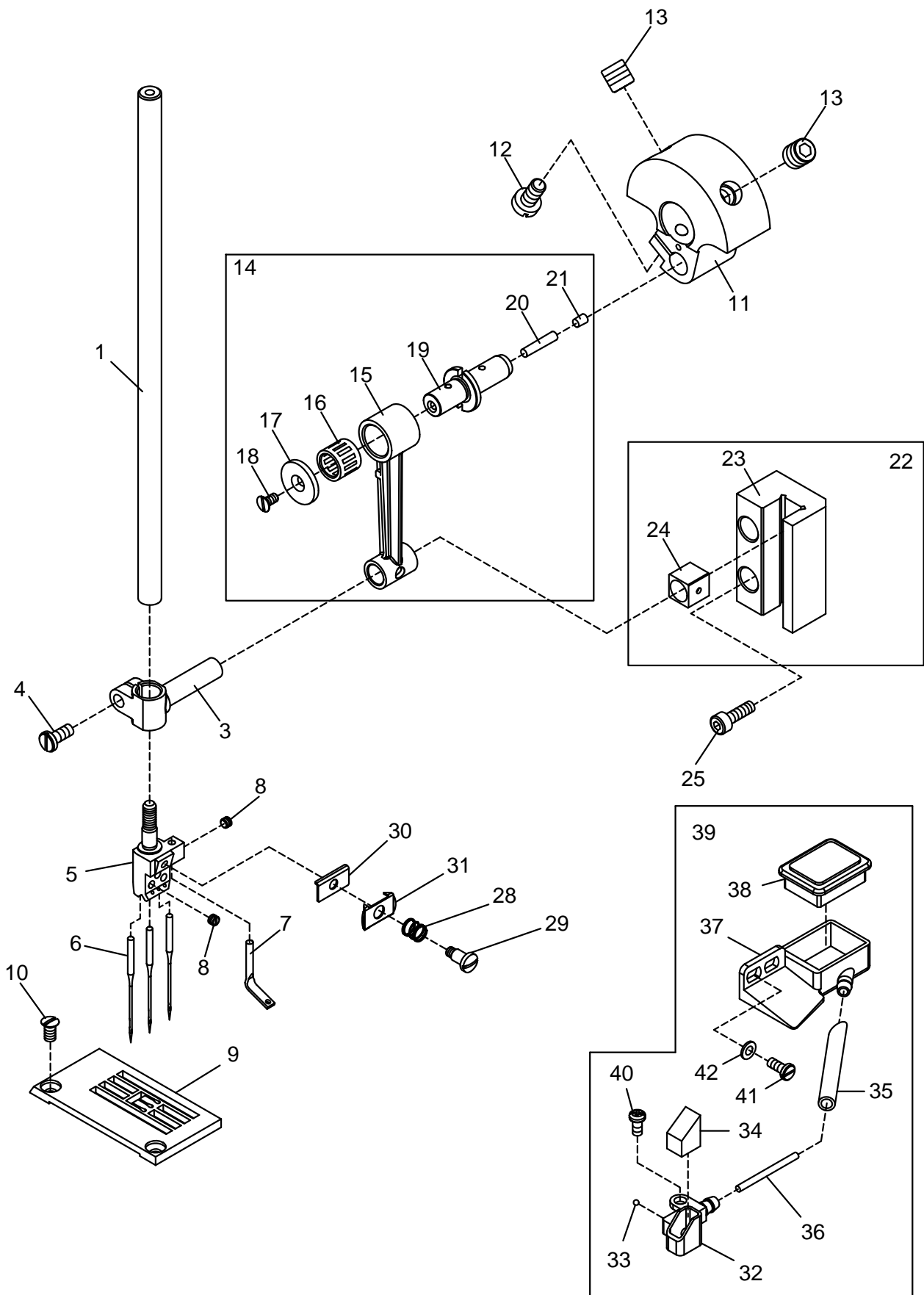
## UPPER SHAFT &amp; NEEDLE THREAD TAKE-UP MECHANISM

## 上主軸及針線提線機構

C06

Ref.No	Parts.No	Description	品名	Amt.Req.
1	C06001	Handwheel	手推輪	1
2	C05017	Screw(M6-1.0x4.8)	止付螺絲	1
3	C05004	Screw(M6-1x8)	螺絲	5
4	C02021	Screw(M6-1x6)	螺絲	16
5	C06005	Adapter, C. Set	接頭組	1
6	C06006	Ball Bearing	軸承	2
7	C06007	Adapter	接頭	1
8	C06008	Timing Belt(550-5GT-12)	同步傳動皮帶	1
9	C06009	Upper Shaft Sprocket(Upper)	上主輪鏈輪	1
10	C06010	Timing Belt(384-3GT-8)	同步傳動皮帶	1
11	C06111	Upper Shaft Sprocket(Upper)	上主軸鏈輪	1
12	C06012	Upper Shaft(Right)	上主傳動軸(右)	1
13	C06013	Upper Shaft Joint	上主軸接頭	1
14	C05013	Counterweight(Small)	平衡配重凸輪(小)	1
15	C02017	Screw (M4-0.7x8)	螺絲	3
16	C06016	Oil Sleeve	油套管	1
17	C06117	Upper Shaft(Left)	上主傳動軸(左)	1
18	A0403	Screw (M5-0.8x5)	螺絲	6
19	C06119	Oil Wick(Ø4.5x13mm)	油芯	1
20	C06120	Oil Wick(Ø3.1x31mm)	油芯	1
21	C06121	Screw(M5-0.8x5)	螺絲	1
22	C06122	Upper Shaft Joint, C. Set	上主軸接管組	1
23	C06023	Upper Shaft Sleeve	上軸套管	1
24	C06024	Ball Bearing	滾珠培林	2
25	B29041	Spring Washer	彈簧墊片	2
26	C06126	Screw (M5-0.8X7)	螺絲	1
27	C06027	Adapter(Right), C. Set	接頭組	1
28	C06028	Ball Bearing	滾珠培林	1
29	C06029	Adapter	接頭	2
30	C06130	Looper Thread Take-up Shaft	分線盤傳動軸	1
31	C06131	Thread Take-up Shaft Sprocket(Lower)	分線盤傳動軸鏈輪	1
32	C06032	Adapter(Left ), C. Set	接頭組	1
33	C06033	Ball Bearing	滾珠培林	1
34	C06034	Looper Thread Take-up	底線挑線凸輪	1
35				
36	C06136	Connecting Rod	連桿	1
37	C07025	Screw (M4-0.7x16)	螺絲	2
38	C06138	Spreader Eccentric	偏心輪	2
39	C06039	Driving Lever	傳動桿	1
40	C06040	Screw(M6-1x16)	螺絲	2
41	C06041	Washer	墊片	1
42	C06042	Washer	墊片	1
43	C06043	Screw (M5-0.8x10)	螺絲	1
44	C06044	Driving Shaft	傳動軸	1
45	C06145	Bracket	托架	1
46				
47	C06147	Needle Thread Take-up	針線提線過線桿	1
48	C06048	Screw(M4-0.7x8)	螺絲	2
49	B14006	Spring Washer	彈性墊片	1
50	C06150	Emblem	銘牌	1
51	C06051	Locating Ring	定位環	1
52	C06052	Washer	墊片	1

# C07



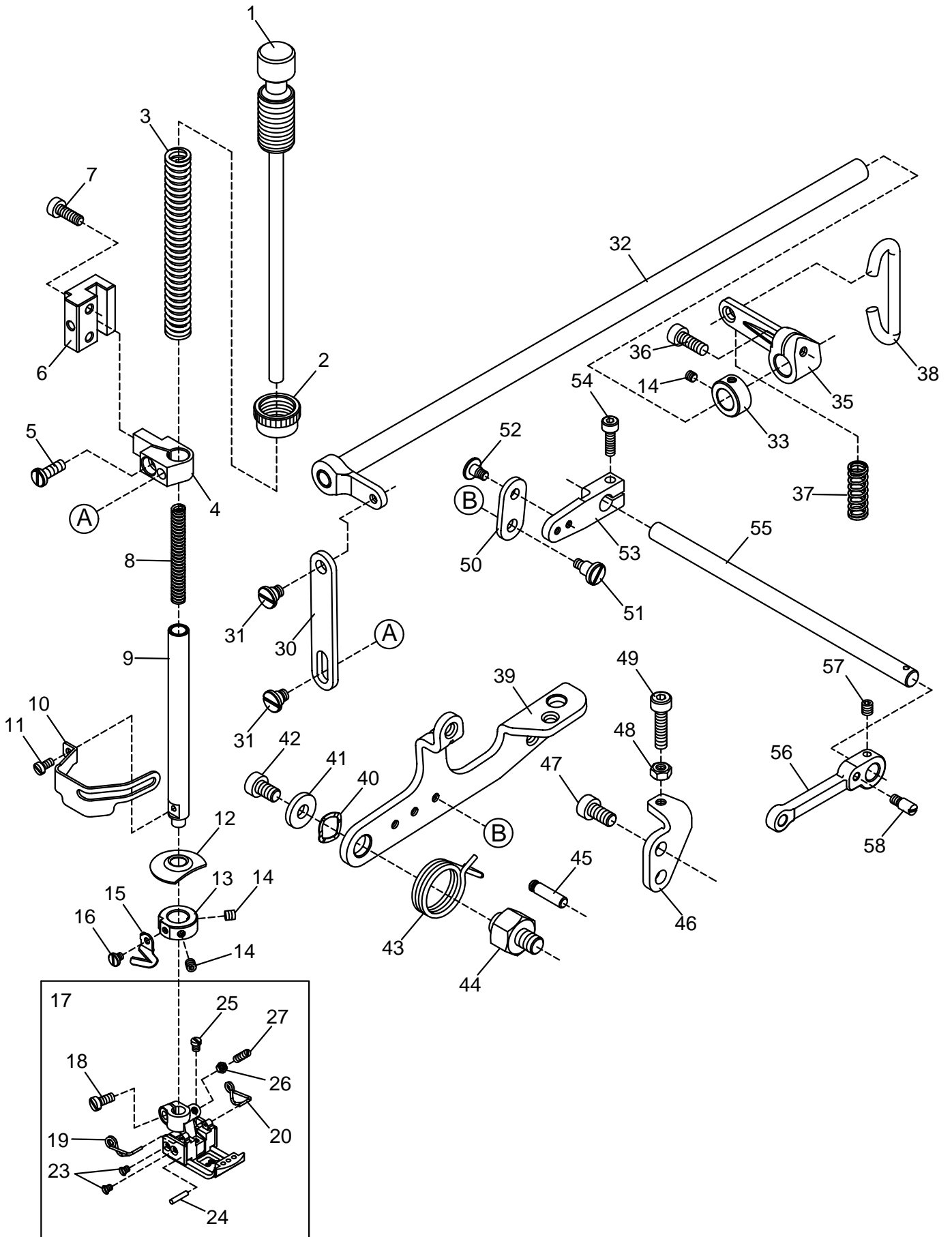
## NEEDLE BAR MECHANISM

## 針棒機構

C07

Ref.No	Parts.No	Description	品名	Amt.Req.
1	C07101	Needle Bar	針棒	1
2				
3	C07003	Needle Bar Bracket	針棒托架	1
4	C07004	Screw(M4-0.7x10)	螺絲	1
5	M27356	Needle Clamp(5.6mm)	針鉗	1
6	C07006	Needle(UYx128 GAS)	針	3
7	C07007	Top Cover Thread Eyelet	上飾線過線片	1
8	C07008	Screw(1/8-44x2.4)	螺絲	4
9	S27156	Stitch Plate(5.6mm)	針板	1
10	C07010	Screw(9/64-40x4.8)	螺絲	2
11	C07011	Counterweight	平衡配重凸輪	1
12	C07012	Screw(M5-0.8x10)	螺絲	2
13	C07013	Screw(M8-1.25x8)	螺絲	2
14	C07014	Connecting Rod. Complete Set	連桿組	1
15	C07015	Connecting Rod.	連桿	1
16	C07016	Roller Bearing	培林	1
17	C07017	Eccentric Pin Plate	偏心梢墊片	1
18	C02038	Screw(M3-0.5x6)	螺絲	1
19	C07019	Eccentric Pin	偏心梢	1
20	C07020	Felt(2.5x3x30mm)	吸油蕊	1
21	C07021	Seal Plug	油塞	1
22	C07022	Needle Bar Guide,C.Set	針棒定位滑塊組	1
23	C07023	Needle Bar Guide	針棒定位滑槽	1
24	C07024	Slide Block	針棒定位滑塊	1
25	C07025	Screw (M4-0.7x16)	螺絲	2
26				
27				
28	C07028	Spring	彈簧	1
29	C07029	Screw(1/8-44x3)	螺絲	1
30	C07030	Needle Thread Guide	針線導板	1
31	C07031	Needle Thread Holder Stopper	針線限制支架	1
32	C07032	HP Cup	矽油杯	1
33	C07033	Sealing Plug	封閉塞	1
34	C07034	HP Felt	吸油棉	1
35	C07035	Oil Tube	油管	1
36	C07036	Felt	油蕊	1
37	C07037	HP Container	矽油儲存槽	1
38	C07038	HP Container Cover	矽油槽蓋	1
39	C07039	HP Container, C. Set	矽油槽組	1
40	C02044	Screw (M4-0.7x5)	螺絲	1
41	C02017	Screw (M4-0.7x8)	螺絲	2
42	C03030	Washer	墊片	2

C08





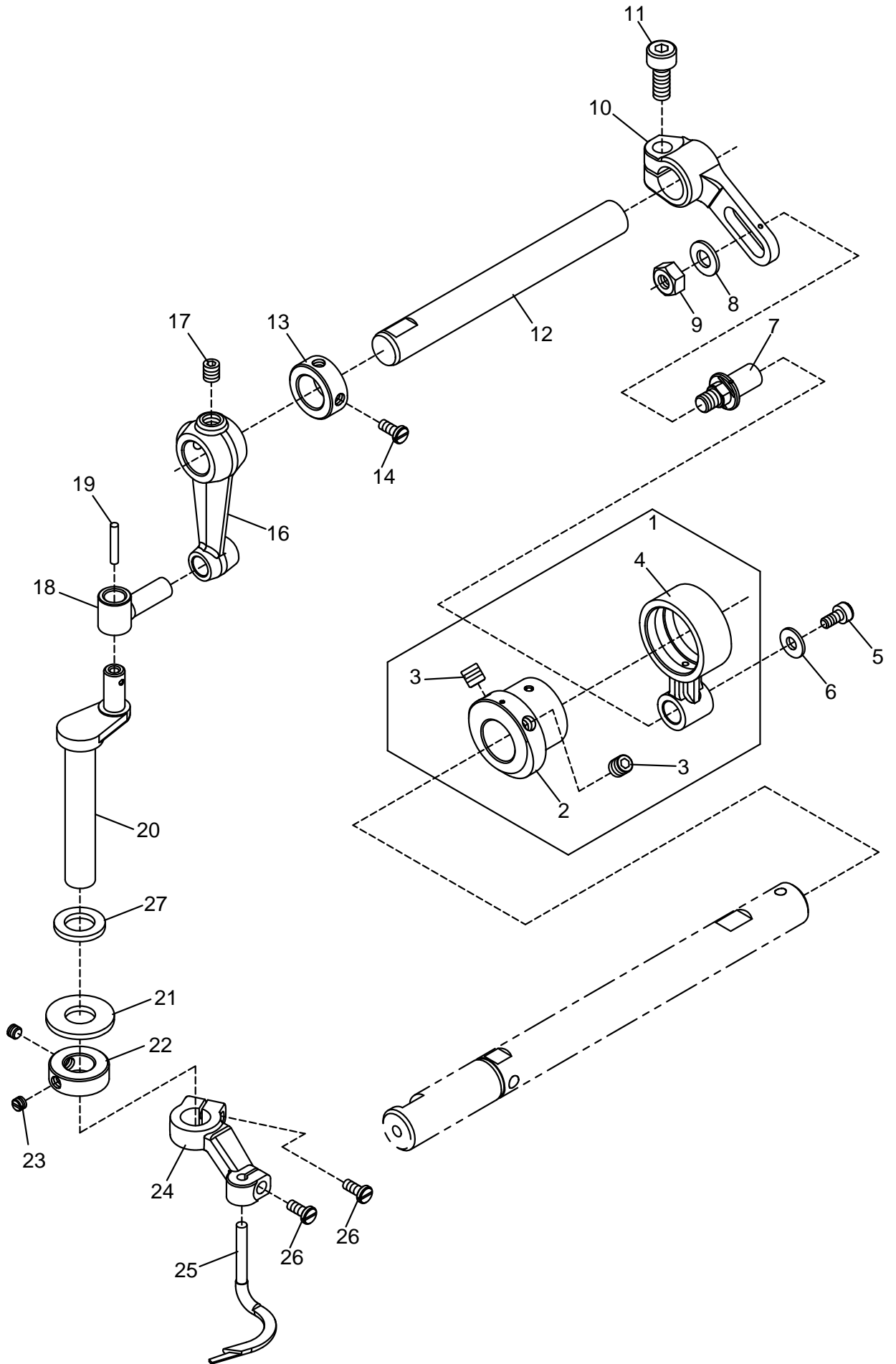
## PRESSER FOOT MECHANISM

## 壓腳機構

C08

Ref.No	Parts.No	Description	品名	Amt.Req.
1	C08001	Presser Spring Regulator	壓腳彈簧調節器	1
2	C08002	Lock Nut	鎖緊螺帽	1
3	C08003	Presser Bar Spring(Outer)	壓腳棒彈簧(外)	1
4	C08004	Presser Bar Connecting Bracket	壓腳推桿連接架	1
5	C02031	Screw(M4-0.7x12)	螺絲	1
6	C08006	Presser Bar Guide	壓腳推桿導架	1
7	C08007	Screw(11/64-40x16)	螺絲	2
8	C08008	Presser Bar Spring(Inner)	壓腳棒彈簧(內)	1
9	C08009	Presser Bar	壓腳棒	1
10	C08010	Finger Guard	手指護擋	1
11	C04049	Screw (M3-0.5x6.5)	螺絲	1
12	C08012	Oil Protector Ring	止油環	1
13	C08013	Collar(9x17x7mm)	軸環	1
14	C02026	Screw (M4-0.7x4)	螺絲	4
15	C08015	Thread Chain Cutting Knife	割線刀	1
16	C02049	Screw(M3-0.5x3.5)	螺絲	1
17	P27056	Presser Foot, C. Set(5.6mm)	壓腳組	1
18	C08018	Screw(M3.5-0.6x10)	螺絲	1
19	C08019	Presser Foot Spring(Left)	壓腳彈簧(左)	1
20	C08020	Presser Foot Spring(Right)	壓腳彈簧(右)	1
21				
22				
23	C08023	Screw(M2.5-0.45x6)	螺絲	4
24	C08024	Presser Foot Hinge Pin(56,64)	壓腳鎖門插銷	1
25	C08025	Screw(M3.5-0.5x4.2)	螺絲	1
26	C08026	Lock Nut	併緊螺帽	1
27	C08027	Adjusting Screw(1/8-44x9.5)	可調螺絲	1
28				
29				
30	C08030	Presser Foot Lifter	壓腳提升器	1
31	C08031	Screw(M5-0.8x3.5)	螺絲	2
32	C08032	Lifter Shaft	壓腳提升主軸	1
33	C09122	Collar(10x18x7mm)	軸環	1
34				
35	C08035	Lifter Shaft Lever	提升主軸拉柄	1
36	C08036	Screw(M5-0.8x14)	螺絲	1
37	C08037	Spring	彈簧	1
38	C08038	Lever Link	拉柄連桿	1
39	C08039	Lifter Lever	提升拉柄	1
40	C08040	Elastic Washer	波形彈性墊片	1
41	C08041	Washer	墊片	1
42	C08042	Screw(M6-1x10)	螺絲	1
43	C08043	Spring	彈簧	1
44	C08044	Lifter Lever Holder	提升拉柄座	1
45	C08045	Knock Pin(Ø5x20mm)	插銷	1
46	C08046	Lifter Lever Stopper	提升拉柄擋件	1
47	C08047	Screw(M6-1x12)	螺絲	2
48	C08048	Nut	螺帽	1
49	C08049	Screw(M5-0.8x22)	螺絲	1
50	C08050	Tension Release Lever Connector	拉力釋放槓桿連桿	1
51	C08051	Screw(M4-0.7x5)	螺絲	1
52	C08052	Screw(M4-0.7x4)	螺絲	1
53	C08053	Tension Release Lever	拉力釋放槓桿	1
54	C06037	Screw(M4-0.7x14)	螺絲	1
55	C08055	Tension Release Shaft	拉力釋放軸	1
56	C08056	Thread Pull-off Lever	拉力釋放槓桿	1
57	C08057	Screw(M4-0.7x4)	止付螺絲	1
58	C08058	Tension Release Adjusting Eccentric	拉力釋放調整偏心	1

C09



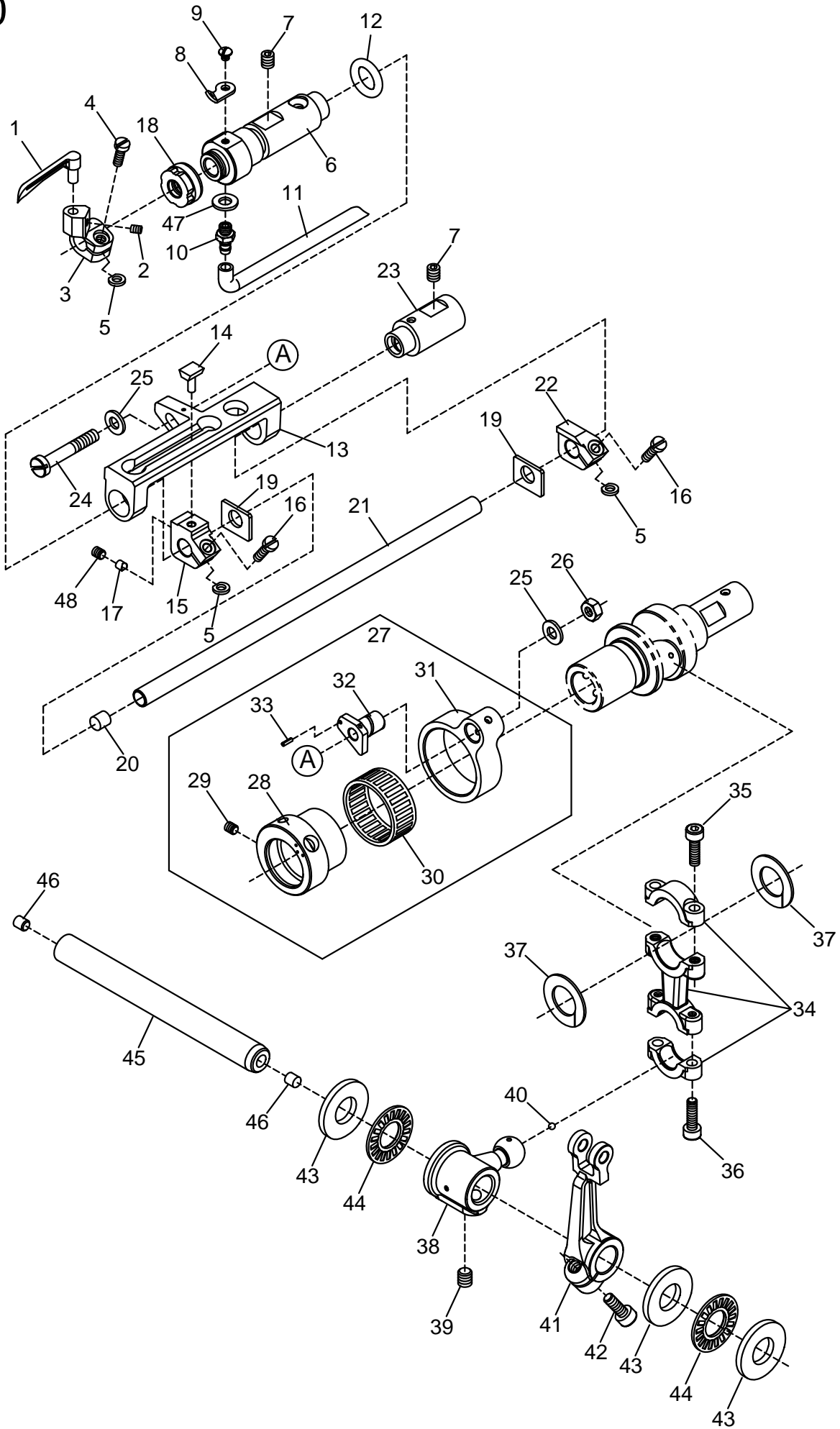
## SPREADER MECHANISM

## 上飾線驅動機構

C09

Ref.No	Parts.No	Description	品名	Amt.Req.
1	C09001	Spreader Eccentric, C. Set	偏心輪組	1
2	C09002	Spreader Eccentric	偏心輪	1
3	C05021	Screw(M5-0.8x5)	止付螺絲	2
4	C09004	Spreader Connecting Rod	連桿	1
5	C02017	Screw (M4-0.7x8)	螺絲	1
6	C09006	Washer	墊片	1
7	C09007	Adjusting Lever Pin	拉柄可調式插銷	1
8	B25022	Washer	墊片	1
9	C09009	Nut	螺帽	1
10	C09010	Spreader Adjusting Lever	可調式拉柄	1
11	C06040	Screw(M6-1x16)	螺絲	1
12	C09012	Driving Shaft	主動軸	1
13	C09013	Collar(12x20x8mm)	軸環	1
14	A08014	Screw (11/64-40x5.8)	螺絲	2
15				
16	C09016	Rocking Arm	搖臂	1
17	C02021	Screw(M6-1x6)	螺絲	2
18	C09018	Rocking Pin	支點銷	1
19	C09019	Oil Wick(Ø3.3x15mm)	油芯	1
20	C09020	Spreader Bar	延展臂	1
21	C09021	Bushing Ring	襯環	1
22	C09122	Collar(10x18x7mm)	軸環	1
23	C02026	Screw (M4-0.7x4)	螺絲	2
24	C09024	Spreader Holder	上勾固定座	1
25	C09025	Spreader	上勾	1
26	C02031	Screw(M4-0.7x12)	螺絲	2
27	C06041	Washer	墊片	1

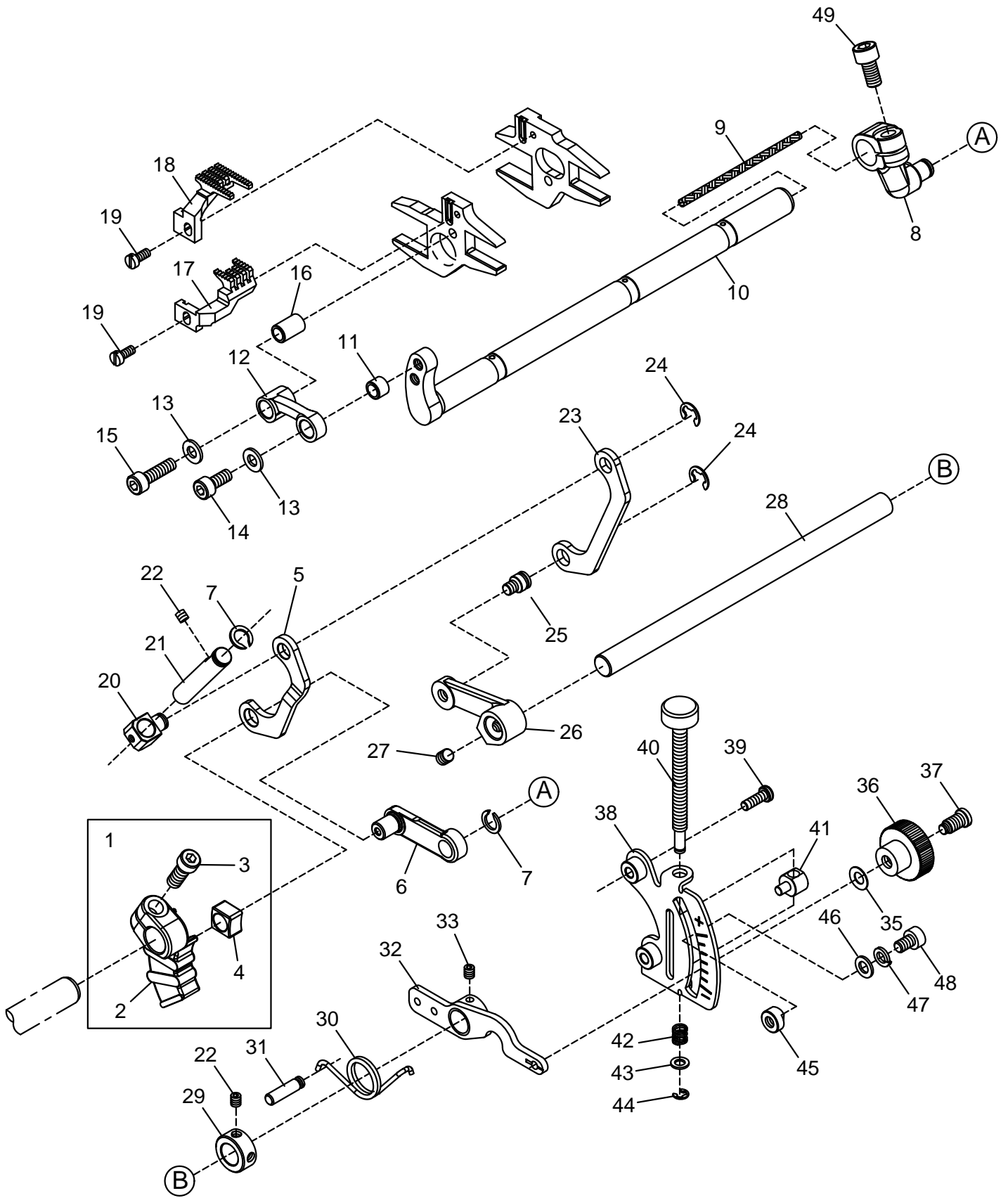
# C10



**LOOPER DRIVING MECHANISM**
**下勾針驅動機構**
**C10**

Ref.No	Parts.No	Description	品名	Amt.Req.
1	C10001	Looper	下勾針	1
2	C10002	Screw (M4-0.7x5)	螺絲	2
3	C10003	Looper Holder	下勾針固定座	1
4	C08018	Screw(M3.5-0.6x10)	螺絲	1
5	C10005	Spacer(Fiber)	墊片	3
6	C10006	Looper Bar Bushing(Left)	下勾針驅動軸襯套(左)	1
7	C10007	Screw (M6-1x8)	螺絲	2
8	C03054	Looper Thread Eyelet(Left)	勾針線過線孔(左)	1
9	C02049	Screw(M3-0.5x3.5)	螺絲	1
10	C13018	Bamboo Joint	竹形接合螺絲	1
11	C10011	Oil Tube(3x5x110mm)	油管	1
12	C10012	O-ring(P12)	O型環	1
13	C10013	Looper Bar Guide	下勾針驅動軸導槽	1
14	C10014	Slider	滑塊	1
15	C10015	Slider Holder	滑塊固定座	1
16	C10016	Screw(M3.5-0.6x12)	螺絲	2
17	C10017	Slider Presser	滑塊定位壓塊	1
18	C04053	Oil seal	油封	1
19	C10019	Thrust Washer	止推墊片	2
20	C10020	Seal Plug	油塞	1
21	C10021	Looper Bar	下勾針棒	1
22	C10022	Slide Block	滑塊	1
23	C10023	Looper Bar Bushing(Right)	下勾針驅動軸襯套(右)	1
24	C10024	Screw(M5-0.8x35)	螺絲	1
25	C10025	Washer	墊片	2
26	C08048	Nut	螺帽	1
27	C10027	Looper Rocker Connecting Rod, C. Set	下勾針搖臂連桿組	1
28	C10028	Looper Rocker Regulating Eccentric	下勾針搖臂可調偏心輪	1
29	C05021	Screw(M5-0.8x5)	止付螺絲	1
30	C10030	Rolling Bearing	滾珠軸承	1
31	C10031	Looper Rocker Connecting Rod	下勾針擦臂連桿	1
32	C10032	Looper Rocker Adjusting Pin	下勾針搖臂調整插銷	1
33	C10033	Spring Pin(Ø1.5x4mm)	插銷	1
34	C10034	Looper Connecting Rod	下勾針連桿	1
35	C06037	Screw(M4-0.7x14)	螺絲	2
36	C07025	Screw (M4-0.7x16)	螺絲	2
37	C10037	Connecting Rod Swing-proof	下勾針連桿止震片	2
38	C10038	Looper Driving Lever	下勾針驅動桿	1
39	C07013	Screw(M8-1.25x8)	螺絲	2
40	C10040	Seal Plug	油塞	1
41	C10041	Looper Rocker Arm	下勾針搖臂	1
42	C06040	Screw(M6-1x16)	螺絲	1
43	C10043	Thrust Washer	推力板	3
44	C10044	Thrust Roller Bearing	推力滾珠軸承	2
45	C10045	Looper Shaft	下勾針主軸	1
46	C10046	Seal Plug	油塞	2
47	C10047	Gasket	墊片	1
48	C02026	Screw (M4-0.7x4)	螺絲	1

# C11



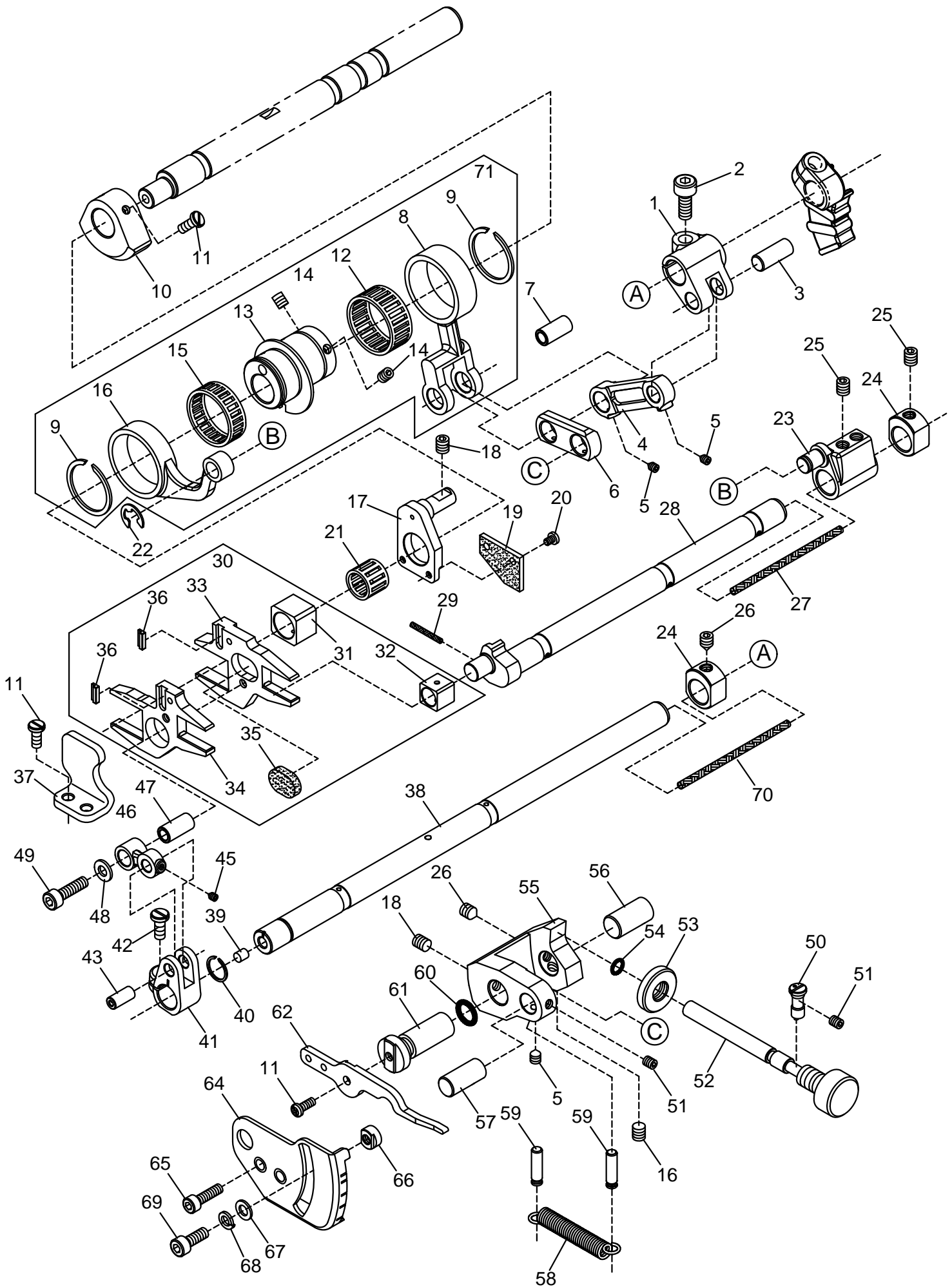
## FEED DRIVING CONTROL MECHANISM

## 送料具驅動控制機構

C11

Ref.No	Parts.No	Description	品名	Amt.Req.
1	C11001	Differential Feed Rocker Arm, C. Set	送料具差動搖臂組	1
2	C11002	Differential Feed Rocker Arm	送料具差動搖臂	1
3	C06040	Screw(M6-1x16)	螺絲	1
4	C11004	Differential Regulating Slider	差動滑塊	1
5	C11005	Differential Link	差動連桿	1
6	C11006	Differential Feed Regulating Link	送料具差動連桿	1
7	C11007	Retaining Ring	固定環	2
8	C11008	Differential Feed Shaft Arm	送料具差動軸臂	1
9	C11009	Oil Wick(Ø5x180mm)	油芯	1
10	C11010	Differential Feed Shaft	送料具差動軸	1
11	C11011	Connection Bushing(Front)	連桿襯套(前)	1
12	C11012	Differential Feed Bar Connection	差動送料具固定座連桿	1
13	C10025	Washer	墊片	2
14	C11014	Screw(M5-0.8x12)	螺絲	1
15	C11015	Screw(M5-0.8x18)	螺絲	1
16	C11016	Connection Bushing(Rear)	連桿襯套(後)	1
17	F27002	Differential Feed Dog	差動齒	1
18	R27002	Main Feed Dog	主齒	1
19	C11019	Screw(M3.5-0.6x8)	螺絲	2
20	C11020	Linear Block	直線固定塊	1
21	C11021	Linear Guide	直線導塊	1
22	C02026	Screw (M4-0.7x4)	螺絲	3
23	C11023	Linear Link	直接連接銷	1
24	C11024	Retaining Ring	固定環	2
25	C11025	Linear Link Pin	直接連接銷	1
26	C11026	Differential Feed Lever(Left)	差動送料桿(左)	1
27	C05017	Screw(M6-1.0x4.8)	止付螺絲	1
28	C11028	Differential Feed Lever Shaft	差動送料桿軸	1
29	C09122	Collar(10x18x7mm)	軸環	1
30	C11030	Spring	彈簧	1
31	C08045	Knock Pin(Ø5x20mm)	插銷	1
32	C11032	Differential Feed Lever(Right)	差動送料桿(右)	1
33	A04003	Screw (M5-0.8x5)	螺絲	2
34				
35	C11035	Conical Spring Washer	錐形彈簧墊圈	1
36	C11036	Lock Nut	固定螺帽	1
37	C11037	Screw(M6-1x8.5, M4.5-0.5x3)	螺絲	1
38	C11038	Differential Feed Graduations	差動送料具刻度板	1
39	C01002	Screw(M4-0.7x12)	螺絲	2
40	C11040	Adjusting Screw	調整螺絲	1
41	C11041	Adjusting Block	調整塊	1
42	C11042	Spring	彈簧	1
43	C11043	Washer	墊片	1
44	C11044	Retaining Ring	固定環	1
45	C11045	Main Feed Lever Stopper	主送料拉柄固定子	1
46	B25024	Washer	墊片	1
47	B14006	Spring Washer	彈性墊片	1
48	C11048	Screw(M5-0.8x8)	螺絲	1
49	C08047	Screw(M6-1x12)	螺絲	1

# C12





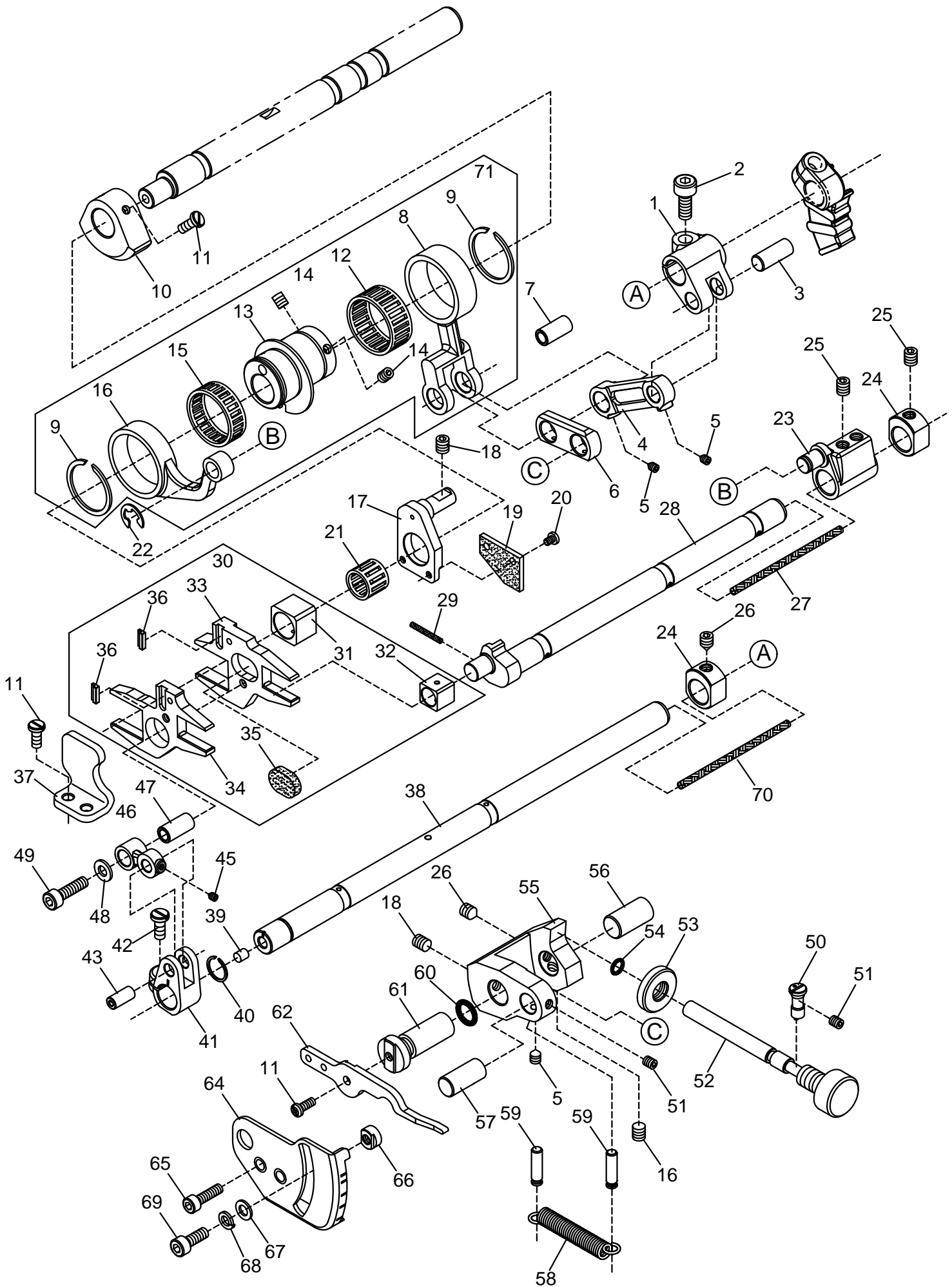
## FEED DRIVING MECHANISM

## 送料具驅動機構

C12

Ref.No	Parts.No	Description	品名	Amt.Req.
1	C12001	Feed Bar Driving Shaft Lever	送料具驅動軸拉柄	1
2	C06040	Screw(M6-1x16)	螺絲	1
3	C12003	Feed Bar Link Pin	插銷	1
4	C12004	Feed Bar Link(Long)	送料具連桿(長)	1
5	C08057	Screw(M4-0.7x4)	止付螺絲	3
6	C12006	Feed Bar Link(Short)	送料具連桿(短)	1
7	C12007	Feed Bar Connecting Rod Pin	連桿插銷	1
8	C12008	Feed Bar Connecting Rod	送料具連桿	1
9	C12009	Retaining Ring	固定環	2
10	C12010	Counterweight	平衡配重凸輪	1
11	C02017	Screw (M4-0.7x8)	螺絲	4
12	C12012	Roller Bearing	滾珠軸承	1
13	C12013	Main Feed Eccentric	送料偏心輪	1
14	C05021	Screw(M5-0.8x5)	止付螺絲	2
15	C12015	Roller Bearing	滾珠軸承	1
16	C12016	Feed Lift Connecting Rod	送料具提升連桿	1
17	C12017	Feed Bar Guide(Right)	送料具導桿(右)	1
18	C02021	Screw(M6-1x6)	螺絲	4
19	C12019	Oiling Felt	油氈	1
20	C02049	Screw(M3-0.5x3.5)	螺絲	2
21	C12021	Roller Bearing	滾珠軸承	1
22	C12022	Retaining Ring	固定環	1
23	C12023	Feed Lift Shaft Lever	送料具提升軸拉柄	1
24	C12024	Collar(12x20x10mm)	軸環	2
25	C05017	Screw(M6-1.0x4.8)	止付螺絲	3
26	C05004	Screw(M6-1x8)	螺絲	2
27	C12027	Oil Wick(Ø5x150mm)	油芯	1
28	C12028	Feed Lift Shaft	送料具提升主軸	1
29	C12029	Oil Wick(Ø2x11mm)	油芯	1
30	C12030	Feed Bar, Complete Set	送料具固定座整組	1
31	C12031	Feed Lift Block(Rear)	送料具提升滑塊(後)	1
32	C12032	Feed Lift Block(Front)	送料具提升滑塊(前)	1
33	C12033	Main Feed Bar	主送料具固定座	1
34	C12034	Differential Feed Bar	差動送料具固定座	1
35	C12035	Oiling Felt	油氈	1
36	C12036	Feed Dog Key	送料具鍵	2
37	C12037	Feed Bar Guide(Left)	送料具導桿(左)	1
38	C12038	Main Feed Bar Driving Shaft	主送料驅動軸	1
39	C12039	Seal Plug	油塞	1
40	C12040	Retaining Ring	固定環	1
41	C12041	Main Feed Bar Driving Shaft Lever	主送料具驅動軸拉柄	1
42	C12042	Screw(M5-0.8x10)	螺絲	1
43	C12043	Link Pin	插銷	1
44	C12044	Oil Wick(2.3x2.3x13mm)	油芯	1
45	C12045	Screw(M3-0.5x4)	螺絲	1
46	C12046	Main Feed Bar Connection	主送料連桿	1
47	C12047	Connection Bushing	連桿襯套	1
48	C10025	Washer	墊片	1
49	C08049	Screw(M5-0.8x22)	螺絲	1
50	C12050	Adjusting Screw Stopper	調整螺絲固定子	1
51	C02026	Screw (M4-0.7x4)	螺絲	2
52	C12052	Main Feed Bar Adjusting Screw	主送料調整螺絲	1

# C12



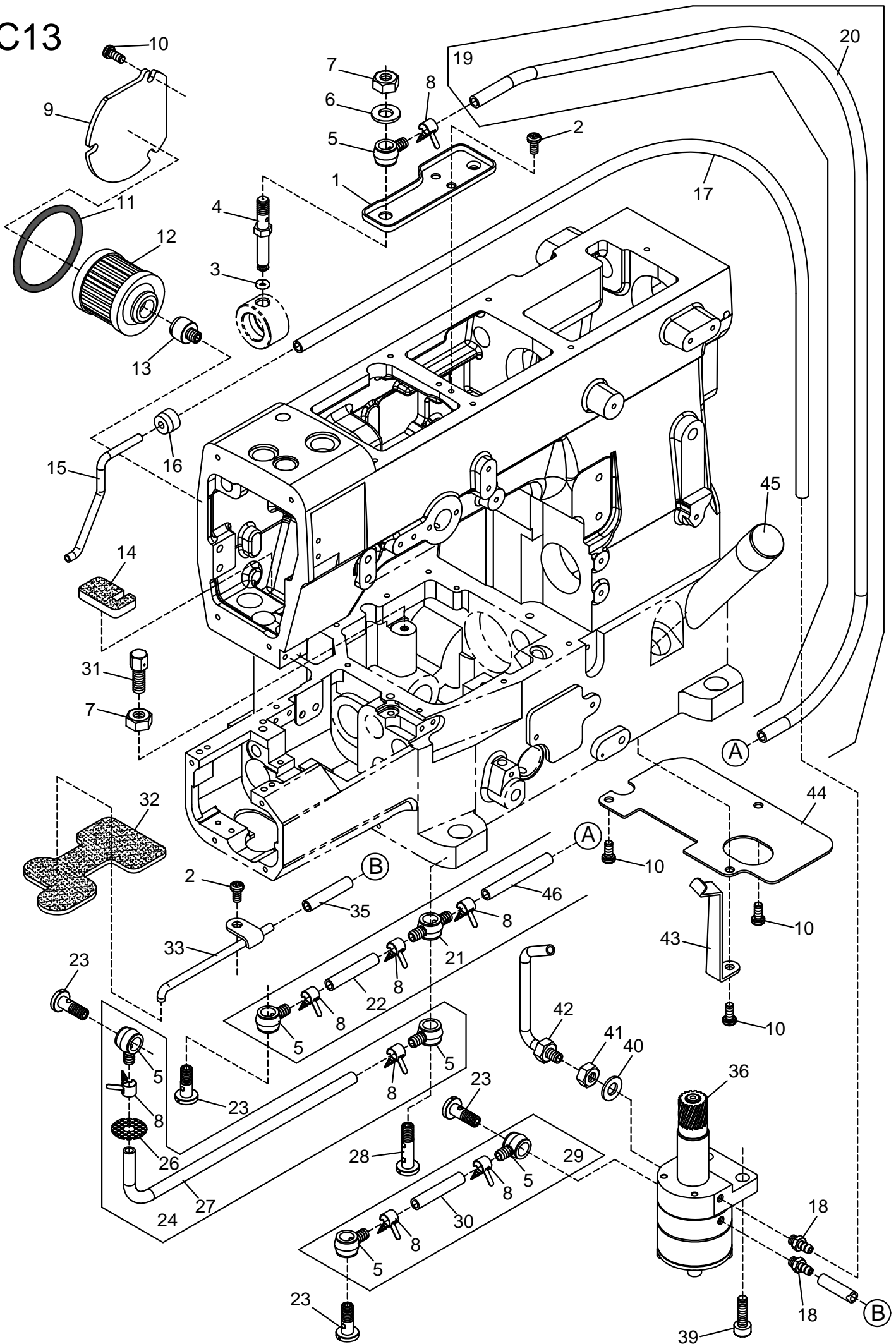
## FEED DRIVING MECHANISM

## 送料具驅動機構

C12

Ref.No	Parts.No	Description	品名	Amt.Req.
53	C12053	Lock Nut	固定螺帽	1
54	A08062	O-ring(P5)	O型環	1
55	C12055	Main Feed Bar Bracket	主送料固定座	1
56	C12056	Main Feed Lever Shaft(Right)	主送料拉柄軸(右)	1
57	C12057	Connecting Shaft	連接軸	1
58	C12058	Spring	彈簧	1
59	C08045	Knock Pin(Ø5x20mm)	插銷	2
60	A10029	O-ring(P16)	O型環	1
61	C12061	Main Feed Lever Shaft(Left)	主送料拉柄軸(左)	1
62	C12062	Main Feed Lever	主送料拉柄	1
63				
64	C12064	Main Feed Graduations	主送料具刻度板	1
65	C07025	Screw (M4-0.7x16)	螺絲	2
66	C11045	Main Feed Lever Stopper	主送料拉柄固定子	1
67	B25024	Washer	墊片	1
68	B14006	Spring Washer	彈性墊片	1
69	C11048	Screw(M5-0.8x8)	螺絲	1
70	C12070	Oil Wick(Ø4.8x150)	油芯	1
71	C12071	Feed Lift Connecting Rod, C. Set	送料具提升連桿整組	1

# C13



## LUBRICATING MECHANISM

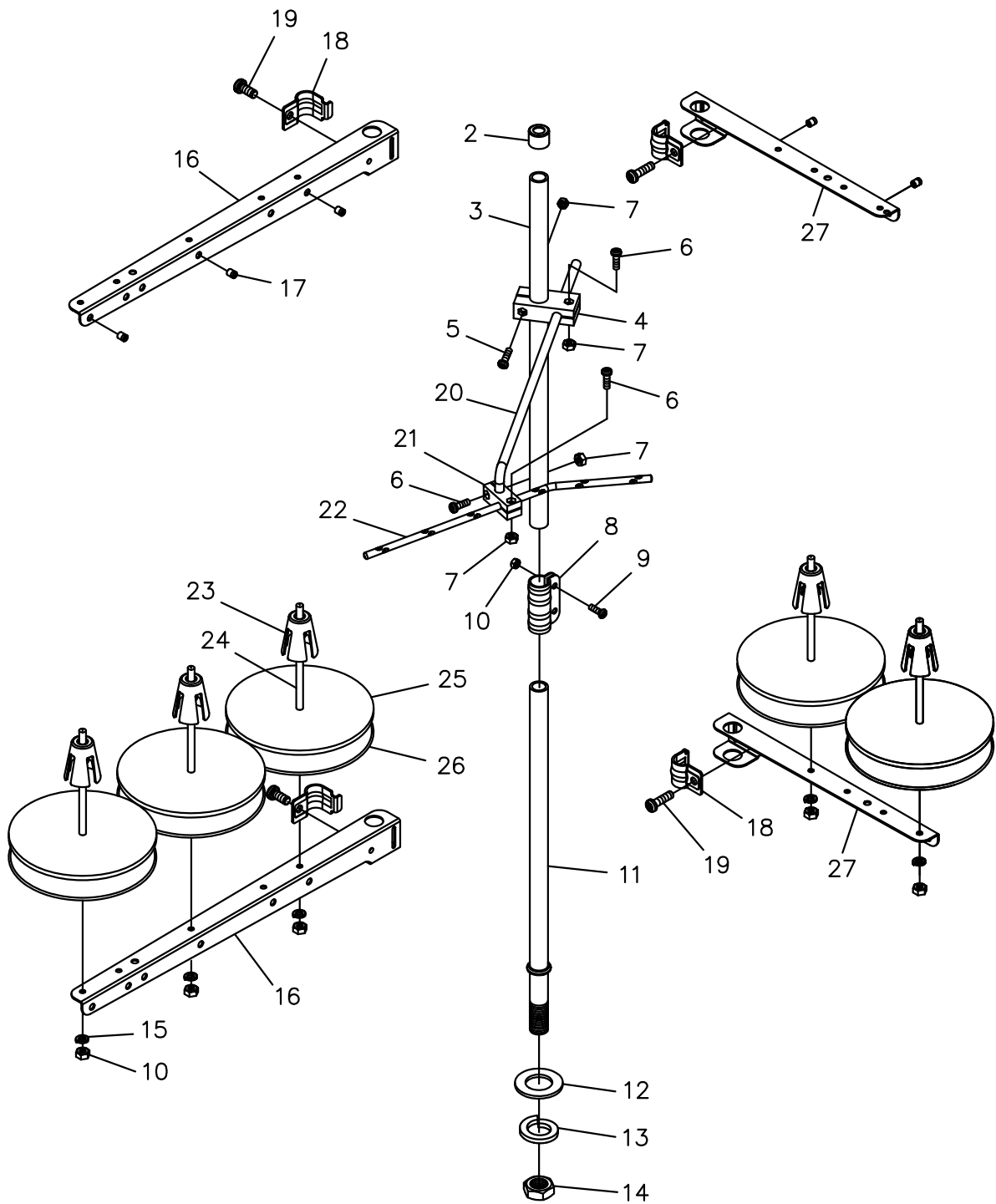
## 潤滑機構

C13

Ref.No	Parts.No	Description	品名	Amt.Req.
1	C13001	Oil Receiver	潤滑油接收盤	1
2	C02044	Screw (M4-0.7x5)	螺絲	3
3	C13003	O-ring(P3)	O型環	1
4	C13004	Oil Sight Top Nozzle	外視油管上噴嘴	1
5	C13005	Oil Tube Joint, One Way	油管接頭(單向)	6
6	C11035	Conical Spring Washer	錐形彈簧墊圈	1
7	C09009	Nut	螺帽	3
8	C13008	Oil Tube Clamp	緊束環	8
9	C13009	Oil Filter Cover	濾油器蓋	1
10	C01025	Screw (M4-0.7x8)	螺絲	6
11	C13011	O-ring(P42)	O型環	1
12	C13012	Oil Filter	濾油器	1
13	C13013	Oil Filter Connector	濾油器連接管	1
14	C13014	Felt	吸油棉	1
15	C13015	Suction Pipe	迴油管	1
16	C13016	Suction Pipe Bushing	迴油管襯套	1
17	C13017	Oil Tube(3x5x440mm)	油管	1
18	C13018	Bamboo Joint	竹形接合螺絲	2
19	C13019	Oil Tube(2x4x35mm)	油管	1
20	C13020	Oil Tube(4x6x500mm)	油管	1
21	C13021	Oil Tube Joint, Two way	油管接頭(雙向)	1
22	C13022	Oil Tube(4x6x37mm)	油管	1
23	C13023	Fitting Stud(Short)	放油螺絲(短)	4
24	C13024	Oil Tube(Middle). Complete Set	油管(中段)組	1
25				
26	C13026	Oil Filter Screen	濾油網	1
27	C13027	Oil Tube(4x6x190mm)	油管	1
28	C13028	Fitting Stud(Long)	放油螺絲(長)	1
29	C13029	Oil Tube(Short), Complete Set	油管組(短)	1
30	C13030	Oil Tube(4x6x31mm)	油管	1
31	C13031	Oiling Shower	給油螺絲	1
32	C13032	Draining Felt	油棉	1
33	C13033	Draining Pipe	吸油管	1
34				
35	C13035	Oil Tube(3x5x360mm)	油管	1
36	C13036	Oil Pump, Complete Set	油泵組	1
37				
38				
39	C13039	Screw (M6-1x18)	螺絲	2
40	C13040	Seal	密合墊片	1
41	C08048	Nut	螺帽	1
42	C13042	Oil Nozzle for Worm Gear	驅動蝸齒組噴油嘴	1
43	C13043	Oil Tube Stay	油管固定架	1
44	C13044	Dust Proof Plate	防塵蓋	1
45	C13045	Oil Sight Gauge	外視油量計	1

# C14

1



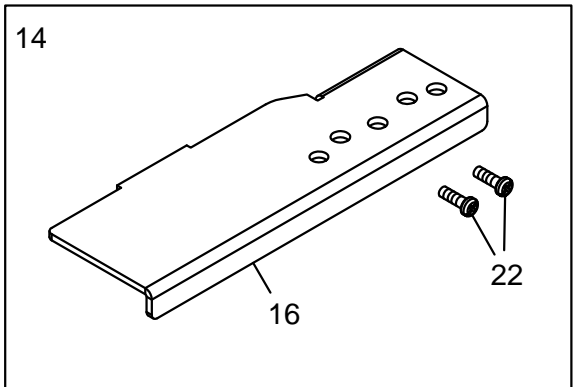
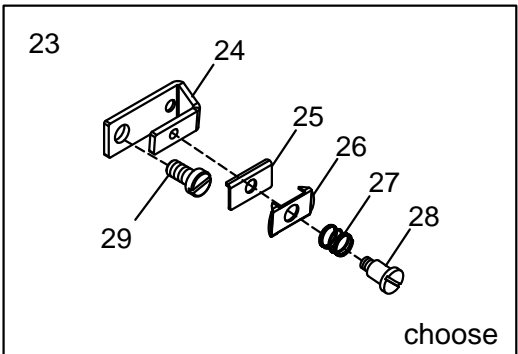
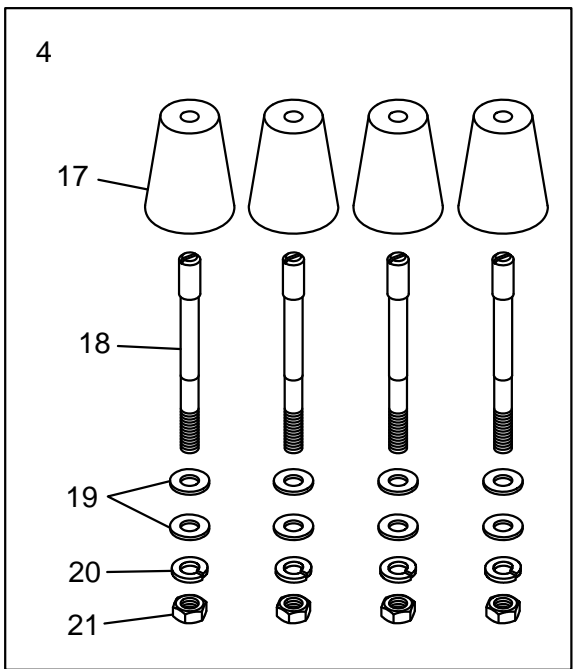
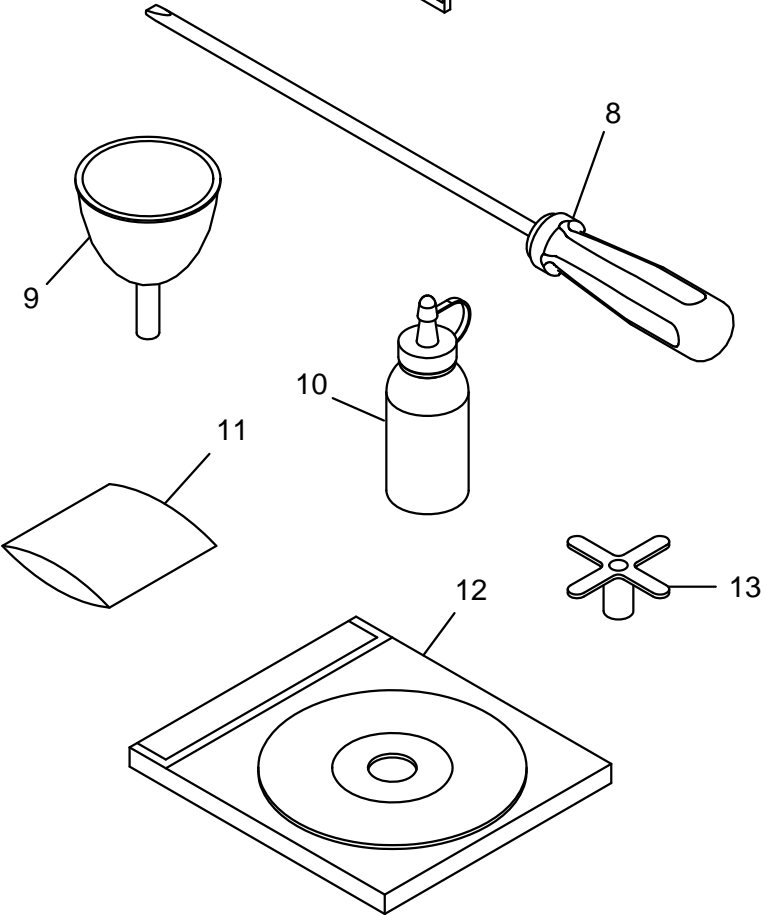
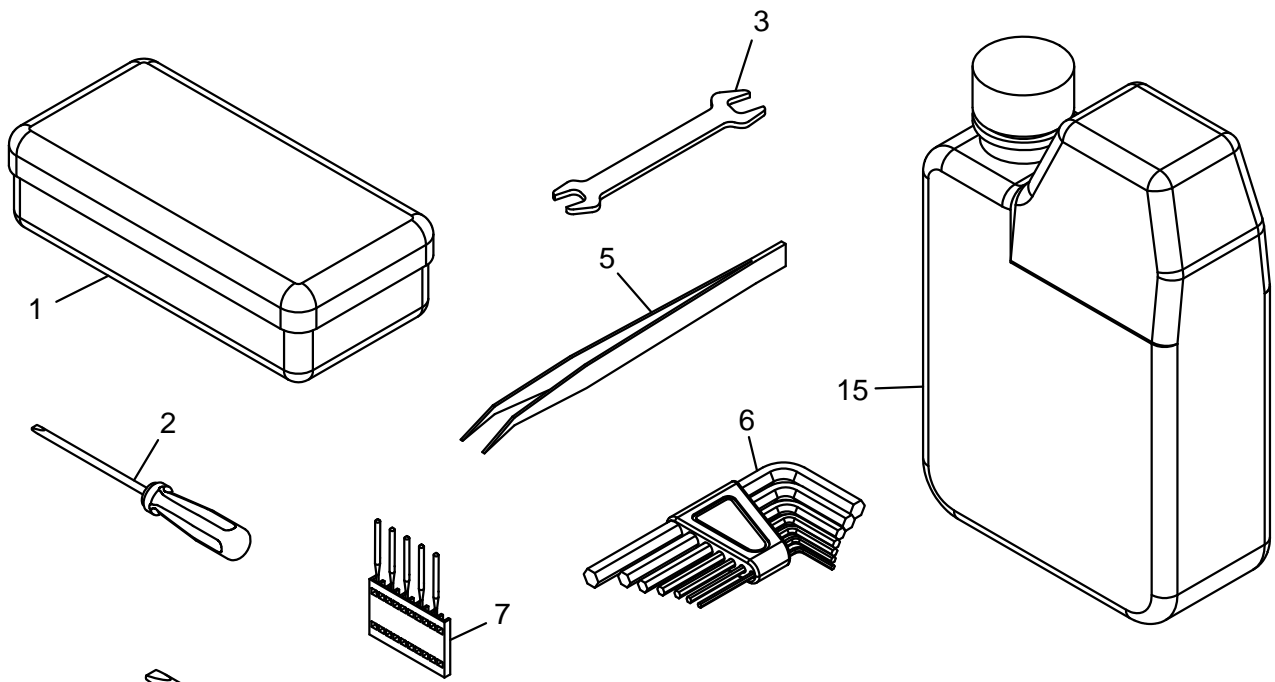
**THREAD STAND**

**線架組**

**C14**

Ref.No	Parts.No	Description	品名	Amt.Req.
1	C14001	Thread Stand, C. Set(5 Spools Type)	線架(五線用)	1
2	B16002	Column Cap	柱頭蓋	1
3	B16003	Column Pipe(Upper)	上線柱	1
4	B16004	Thread Guide Holder(Large)	過線桿固定座(大)	1
5	B16005	Screw(M4-0.7×20)	螺絲	1
6	B16006	Screw(M4-0.7×12)	螺絲	3
7	B16007	Nut	螺帽	4
8	B16008	Column Pipe Connector	線柱接頭	1
9	B16009	Screw(M5-0.8×13)	螺絲	2
10	B16010	Nut	螺帽	7
11	B16011	Column Pipe(Lower)	下線柱	1
12	B16012	Washer	墊片	1
13	B16013	Spring Washer	彈簧墊片	1
14	B16014	Nut	螺帽	1
15	B16015	Spring Washer	彈簧墊片	5
16	B16016	Thread Hanger(3 Spools Type)	3孔過線吊臂	2
17	B16017	Thread Eyelet	過線孔	5
18	B16018	Thread Hanger Holder	過線吊臂固定座	4
19	B16019	Screw(M6-1×15)	螺絲	4
20	B16020	Thread Guide Arm	過線桿連接臂	1
21	B16021	Thread Guide Holder(Small)	過線固定座(小)	1
22	B16022	Thread Guide	過線孔	1
23	B16023	Spool Cushion	線軸避震座	5
24	B16024	Spool Pin	線軸柱	5
25	B16025	Spool Mat	線軸墊	5
26	B16026	Spool Seat Disc	線軸底盤	5
27	C14027	Thread Hanger(2 Spools Type)	2孔過線吊臂	2

# C15

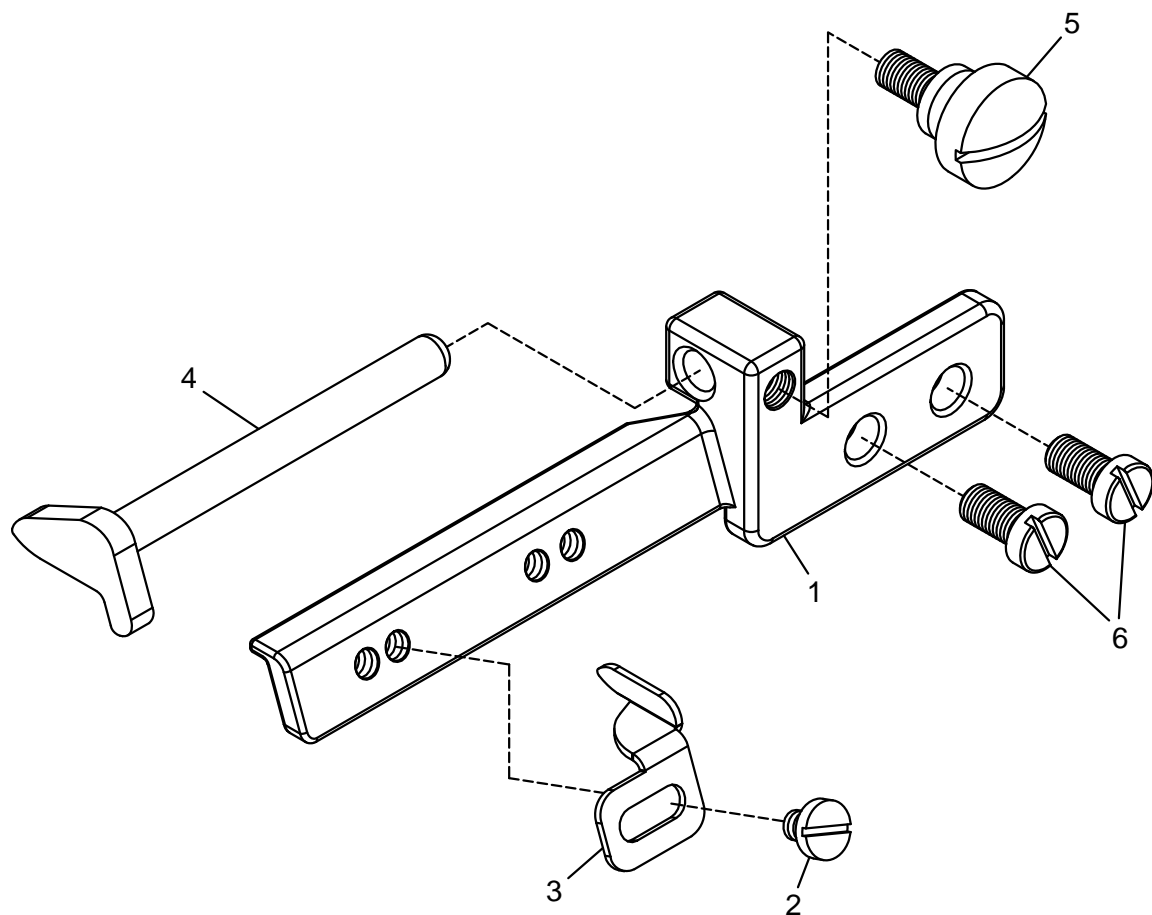




**ACCESSORIES (1)****附件 (1)****C15**

<b>Ref.No</b>	<b>Parts.No</b>	<b>Description</b>	<b>品 名</b>	<b>Amt.Req.</b>
1	B15001	Attachment Box	附件盒	1
2	B15002	Screwdriver	螺絲起子	1
3	B15004	Wrench (8mm-10mm)	板手 (8mm-10mm)	1
4	C15004	Supporting Board Rubber Cushion, C. Set	避震墊組	1
5	B15010	Thread Tweezers	穿線夾	1
6	C15006	Hexagonal Wrench, C. Set	六角板手組	1
7	C07006	Needle(UYx128 GAS)	針	5
8	B15005	Screwdriver	螺絲起子	1
9	B15021	Funnel	漏斗	1
10	B15020	Oiler	油壺	1
11	B15026	Drier	乾燥劑	1
12	C15012	CD	光碟片	1
13	B15132	Stable Cap	穩定套	6
14	C15114	Supplementary Front Cover, C. Set	前輔助板組	1
15	C15115	Oil	潤滑油	1
16	C34003	Supplementary Front Cover	前輔助板	1
17	C37001	Oil Reservoir Rubber Cushion	集油器橡膠避震座	4
18	C37002	Setting Screw(M6-1x63)	安置螺絲	4
19	B25022	Washer	墊片	8
20	B14035	Spring Washer	彈性墊片	4
21	C09009	Nut	螺帽	4
22	C01025	Screw (M4-0.7x8)	螺絲	2
23	C15023	Needle Thread Retainer Support, C. Set	針線固定器支架組	1
24	C03017	Needle Thread Retainer Support	針線固定器支架	1
25	C07030	Needle Thread Guide	針線導板	1
26	C07031	Needle Thread Holder Stopper	針線限制支架	1
27	C03052	Looper Thread Retainer Spring	底線彈簧	1
28	C03056	Screw(1/8-44x2.2)	螺絲	1
29	C02017	Screw (M4-0.7x8)	螺絲	1

C16



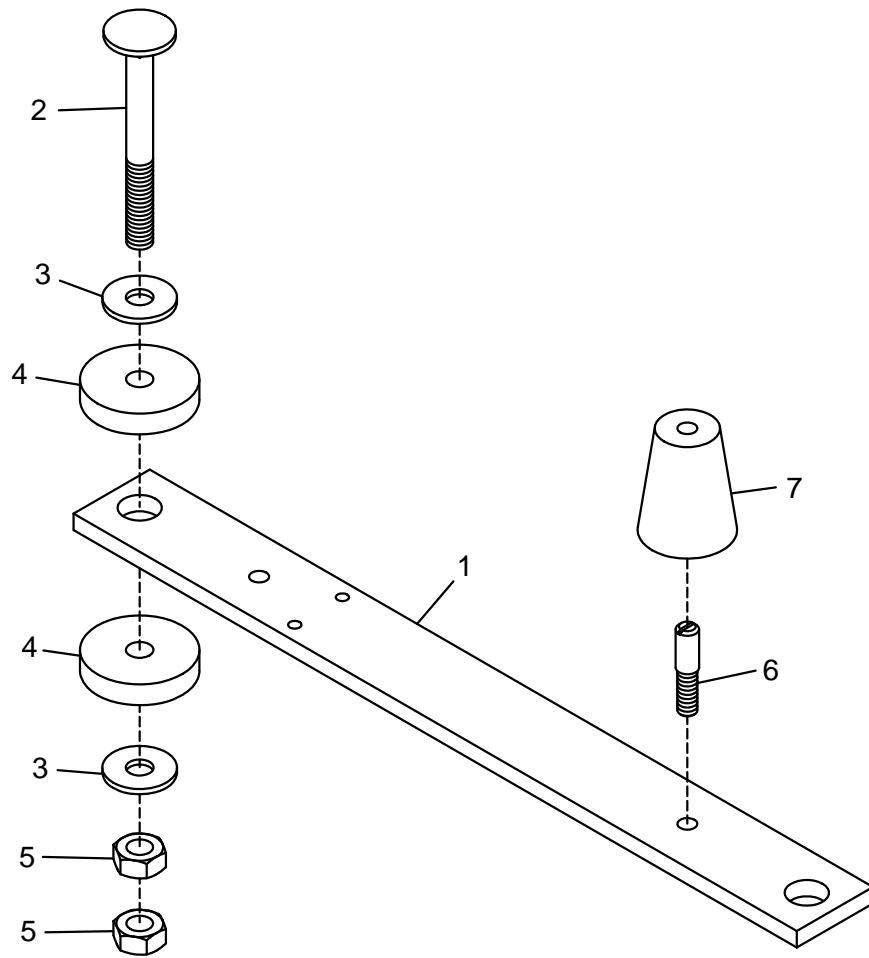
**ATTACHMENT FOR HEMMING & SEAM COVERING**

專用配件

C16

Ref.No	Parts.No	Description	品名	Amt Req.
1	C16001	Folder Stand	折下擺固定座	1
2	C02049	Screw(M3-0.5x3.5)	螺絲	1
3	C16003	Fabric Edge Guide (Left)	左擋邊	1
4	C16004	Width Adjuster	可調擋邊	1
5	C16005	Screw (M4-0.7x18)	螺絲	1
6	C02017	Screw (M4-0.7x8)	螺絲	2

C17

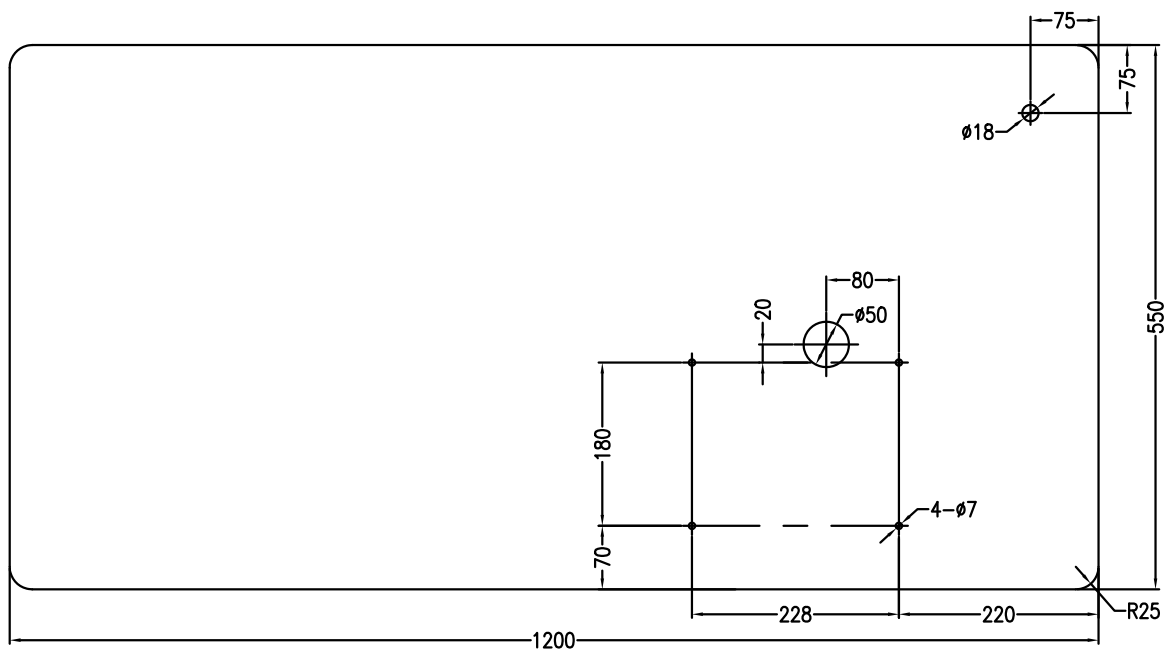


**ACCESSORIES (2)****附件 (2)****C17**

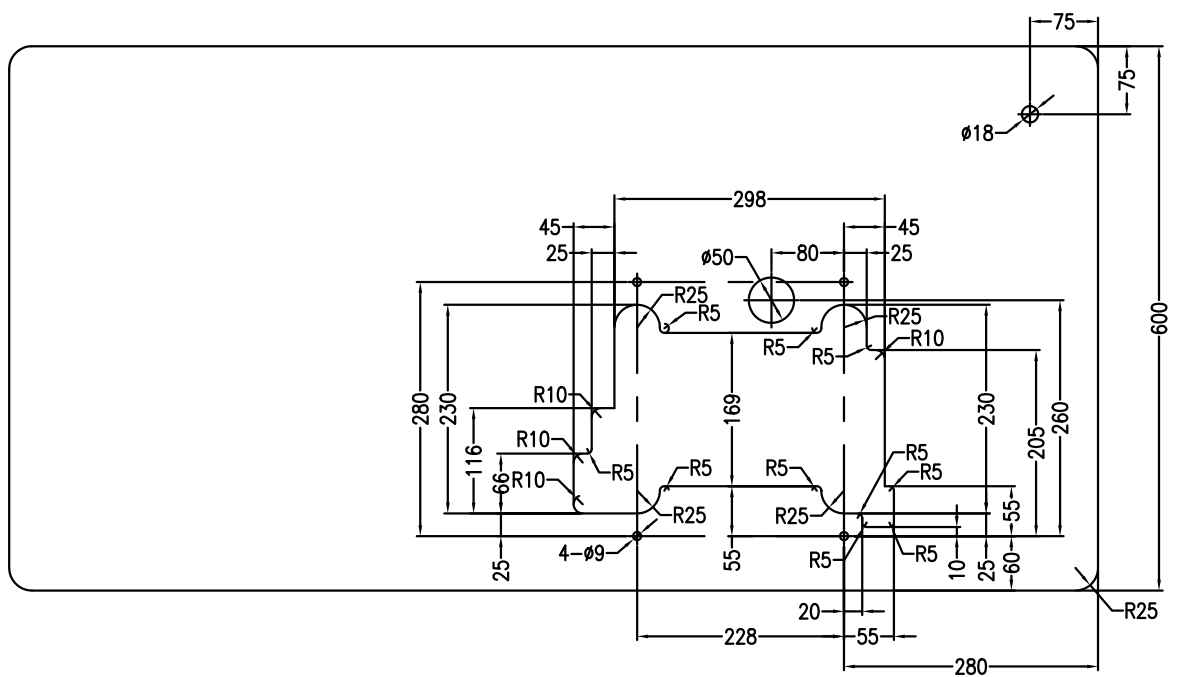
<b>Ref.No</b>	<b>Parts.No</b>	<b>Description</b>	<b>品 名</b>	<b>Amt Req.</b>
1	C17001	Supporting Board	油槽支撐板	2
2	C17002	Screw (M8-1.25x75)	螺絲	4
3	C17003	Washer	墊片	8
4	C17004	Supporting Board Rubber Cushion	避震墊	8
5	C17005	Nut	螺帽	8
6	C37022	Setting Screw(M6-1x16)	安置螺絲	4
7	C37001	Oil Reservoir Rubber Cushion	集油器橡膠避震座	4

C18

# 標準款 Standard

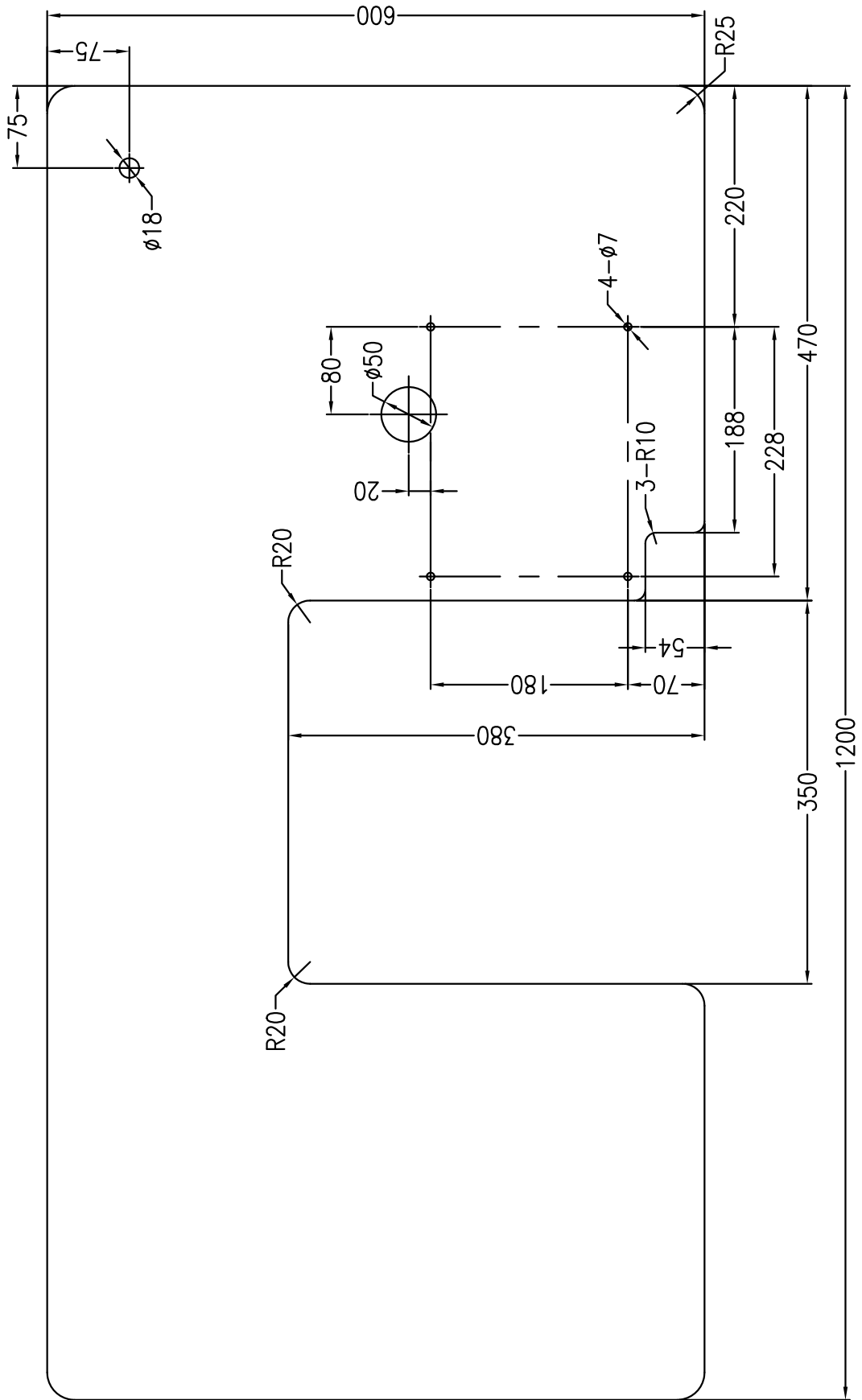


# 下沉式款 Sinking type

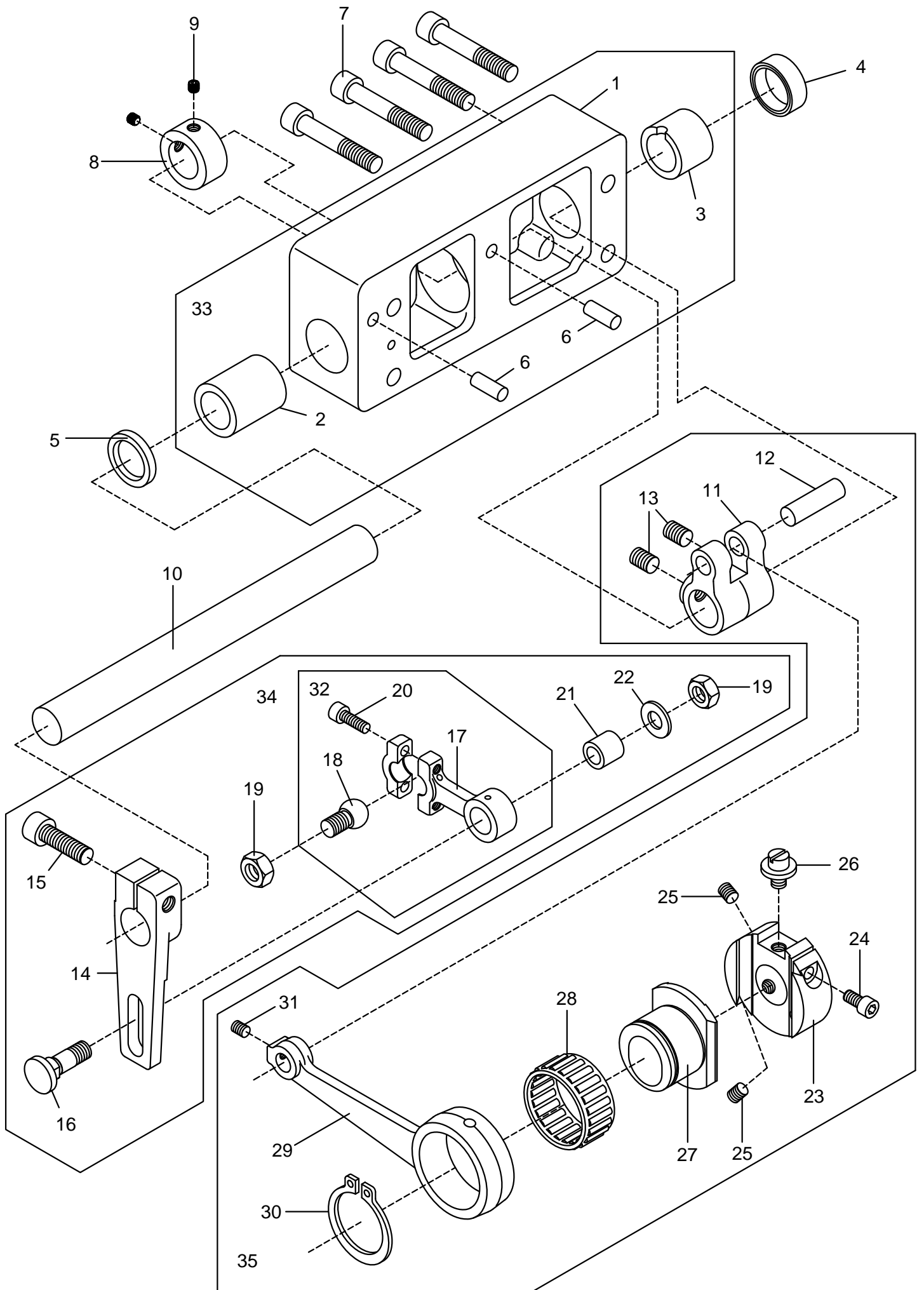


C19

For 721 & 735



# C20





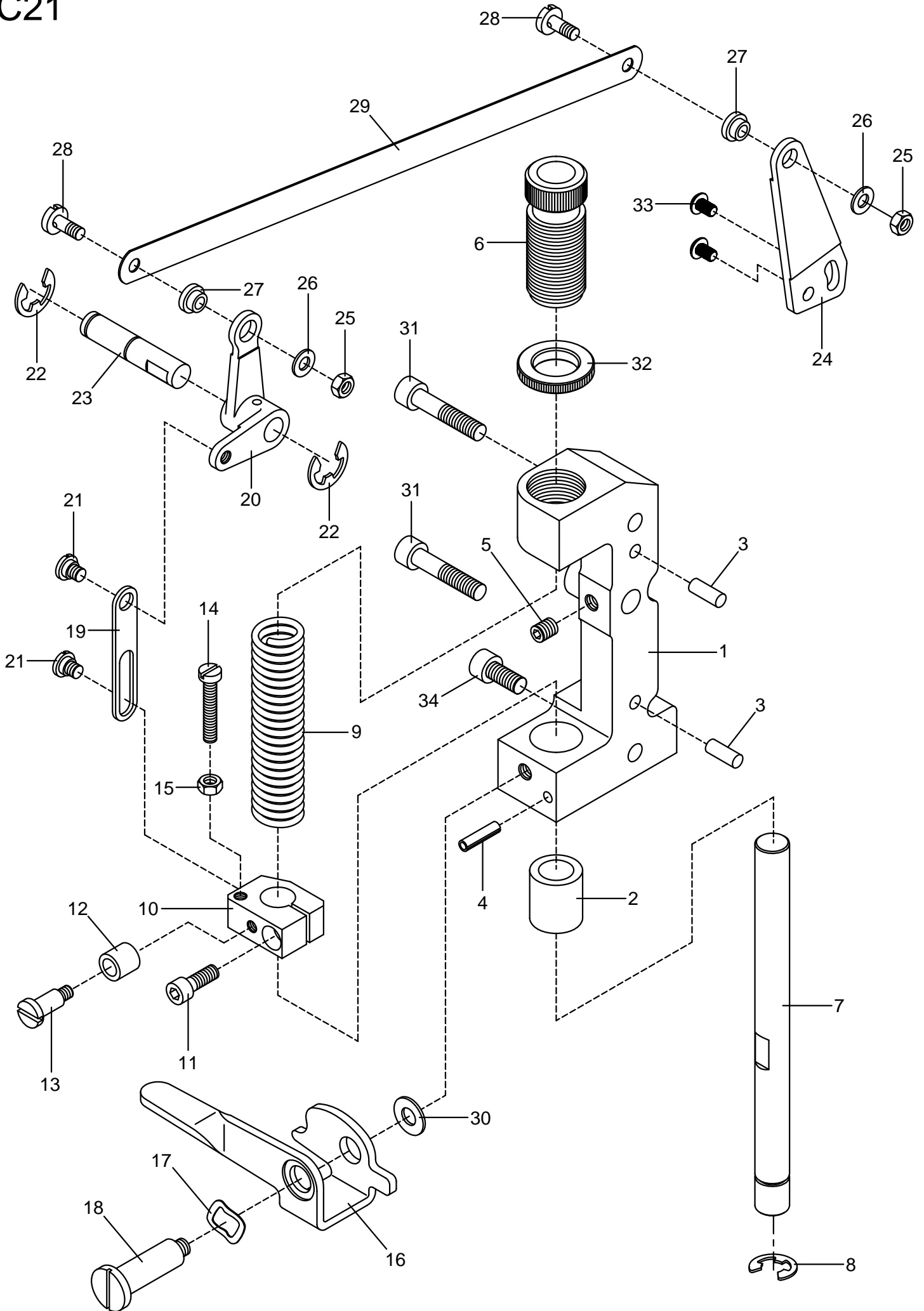
## Puller Mechanism For P(1)

## 輔助拖輪機構(1)

C20

Ref.No	Parts.No	Description	品名	Amt.Req.
1	C20001	Upper Feed Roller Shaft Bracket	拖輪軸固定座	1
2	C20002	Roller Shaft Bushing-Front	拖輪軸套筒-前	1
3	C20003	Roller Shaft Bushing-Rear	拖輪軸套筒-後	1
4	C04036	Seal Plug	止油膠塞	1
5	C20005	Oil Seal	油封	1
6	C20006	Pin	梢	2
7	C20007	Screw(M6-1x35)	螺絲	4
8	C20008	Collar	固定環	1
9	A02024	Screw(SM11/64-40x4.8)	止付螺絲	2
10	C20010	Shaft	拖輪軸	1
11	C20011	Upper Feed Roller Shaft Lever	送料曲柄	1
12	C20012	Pin	插梢	1
13	C05017	Screw(M6-1.0x4.8)	止付螺絲	2
14	C20014	Upper Feed Roller Shaft Rocker Arm	擺臂	1
15	C20015	Screw(M6-1x20)	螺絲	1
16	C20016	Lever Pin	連桿梢	1
17	C20017	Upper Feed Roller Lever Rod	球連桿	1
18	C20018	Rod Ball	球接頭	1
19	A08028	Nut	螺帽	2
20	A0704	Screw (9/64-40x10)	螺絲	2
21	C20021	Upper Feed Roller Lever Rod Sleeve	襯套	1
22	B2522	Washer	墊片	1
23	C20023	Upper Feed Roller Regulator	偏心調節套固定座	1
24	E11007	Screw(M4-0.7x10)	螺絲	1
25	C05021	Screw(M5-0.8x5)	止付螺絲	2
26	C20026	Screw(M5-0.8x6)	調節螺絲	1
27	C20027	Upper Feed Roller Eccentric	偏心調節套	1
28	C12012	Roller Bearing	滾珠軸承	1
29	C20029	Upper Feed Roller Driving Rod	連桿	1
30	C20030	Retaining Ring	C型扣環	1
31	C02026	Screw (M4-0.7x4)	螺絲	1
32	C20032	Upper Feed Roller Lever Rod, C. Set	球連桿組件	1
33	C20033	Upper Feed Roller Shaft Bracket, C. Set	拖輪軸固定座組	1
34	C20034	Upper Feed Roller Shaft Rocker Arm, C. Set	擺臂組	1
35	C20035	Upper Feed Roller Regulator, C. Set	偏心調節組	1

# C21



## Puller Mechanism For P(2)

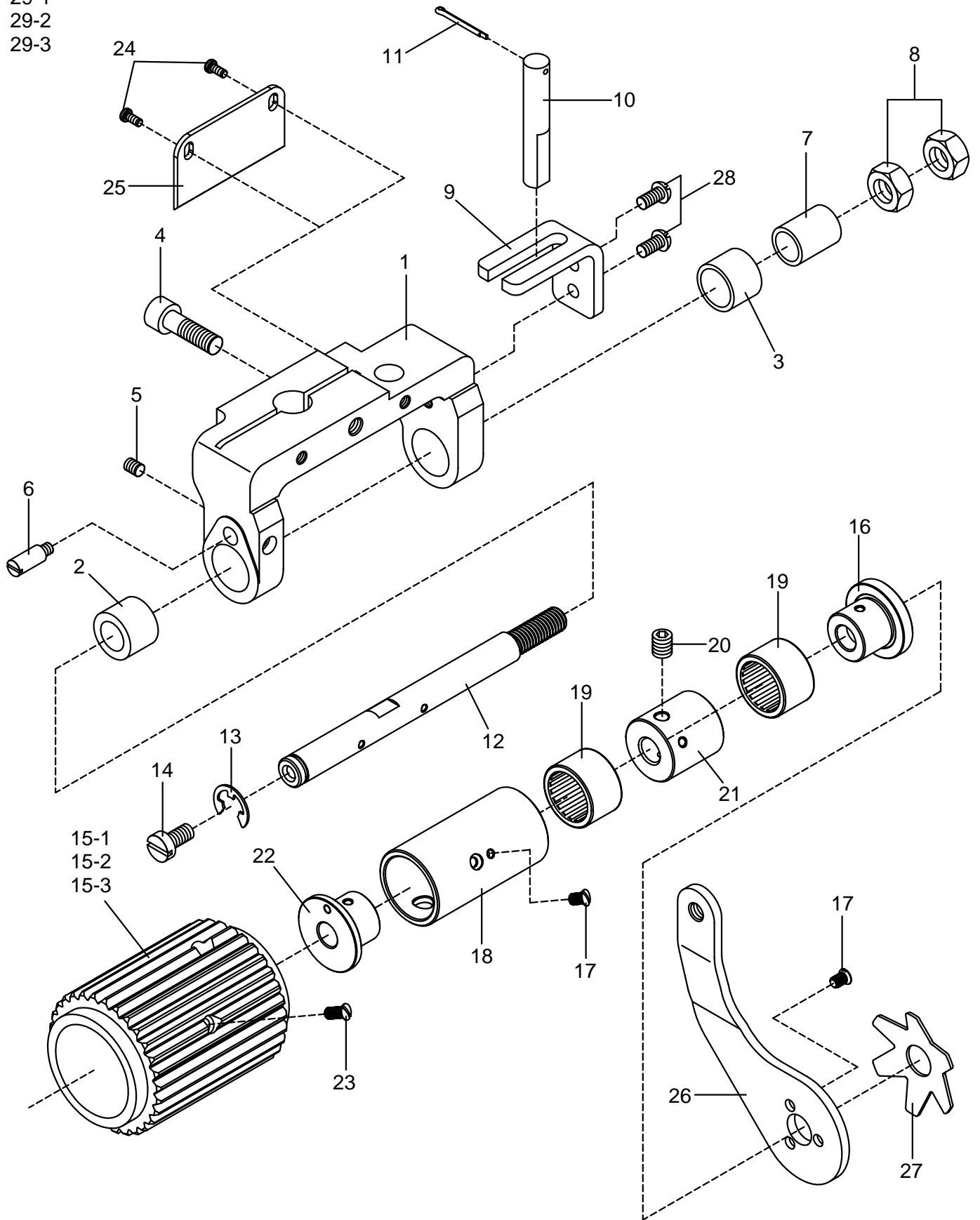
## 輔助拖輪機構(2)

C21

Ref.No	Parts.No	Description	品名	Amt.Req.
1	C21001	Upper Feed Roller Bracket	拖輪座	1
2	C21002	Roller Press Bar Bushing-Lower	拖輪豎軸套筒-下	1
3	C20006	Pin	梢	2
4	C21004	Stop Pin	彈簧梢	1
5	C02021	Screw(M6-1x6)	螺絲	1
6	C21006	Roller Press Bar Bushing-Upper	拖輪豎軸套筒-上	1
7	C21007	Roller Press Bar	拖輪豎軸	1
8	C21008	Retaining Ring	E型扣環	1
9	C21009	Roller Press Spring	壓縮彈簧	1
10	C21010	Roller Press Spring Bracket	彈簧座	1
11	C21011	Screw(M5-0.8x16)	螺絲	1
12	C21012	Lifting Lever Rod Sleeve	襯套	1
13	C21013	Screw(SM11/64-40x5)	抬階螺絲	1
14	C21014	Screw(SM11/64-40x30)	螺絲	1
15	C21015	Nut	螺帽	3
16	C21016	Upper Feed Roller Lifting Lever	滾輪提把	1
17	C08040	Elastic Washer	波形彈性墊片	1
18	C21018	Screw(M6-1.0x6)	抬階螺絲	1
19	C21019	Lifter Connecting Plate	連接板	1
20	C21020	Upper Feed Roller Lifter	昇降曲柄	1
21	C21021	Screw(SM3/16-32x3)	抬階螺絲	2
22	C21022	Retaining Ring	E型扣環	2
23	C21023	Upper Feed Roller Lifter Pin	昇降曲柄梢	1
24	C21024	Upper Feed Roller Rocker Arm	擺臂	1
25	A0110	Nut	螺帽	2
26	C21026	Washer	墊片	2
27	C21027	Flexible Wire Clamp Bushing	襯套	2
28	C21028	Screw(SM11/64-40x6)	抬階螺絲	2
29	C21029	Lifter Connecting Plate	連接板	1
30	C21030	Washer	墊片	1
31	C21031	Screw(M6-1x32)	螺絲	2
32	C21032	Nut	固定螺帽	1
33	B1427	Screw (M4-0.7x12)	螺絲	2
34	C08047	Screw(M6-1x12)	螺絲	1

# C22

29-1  
29-2  
29-3



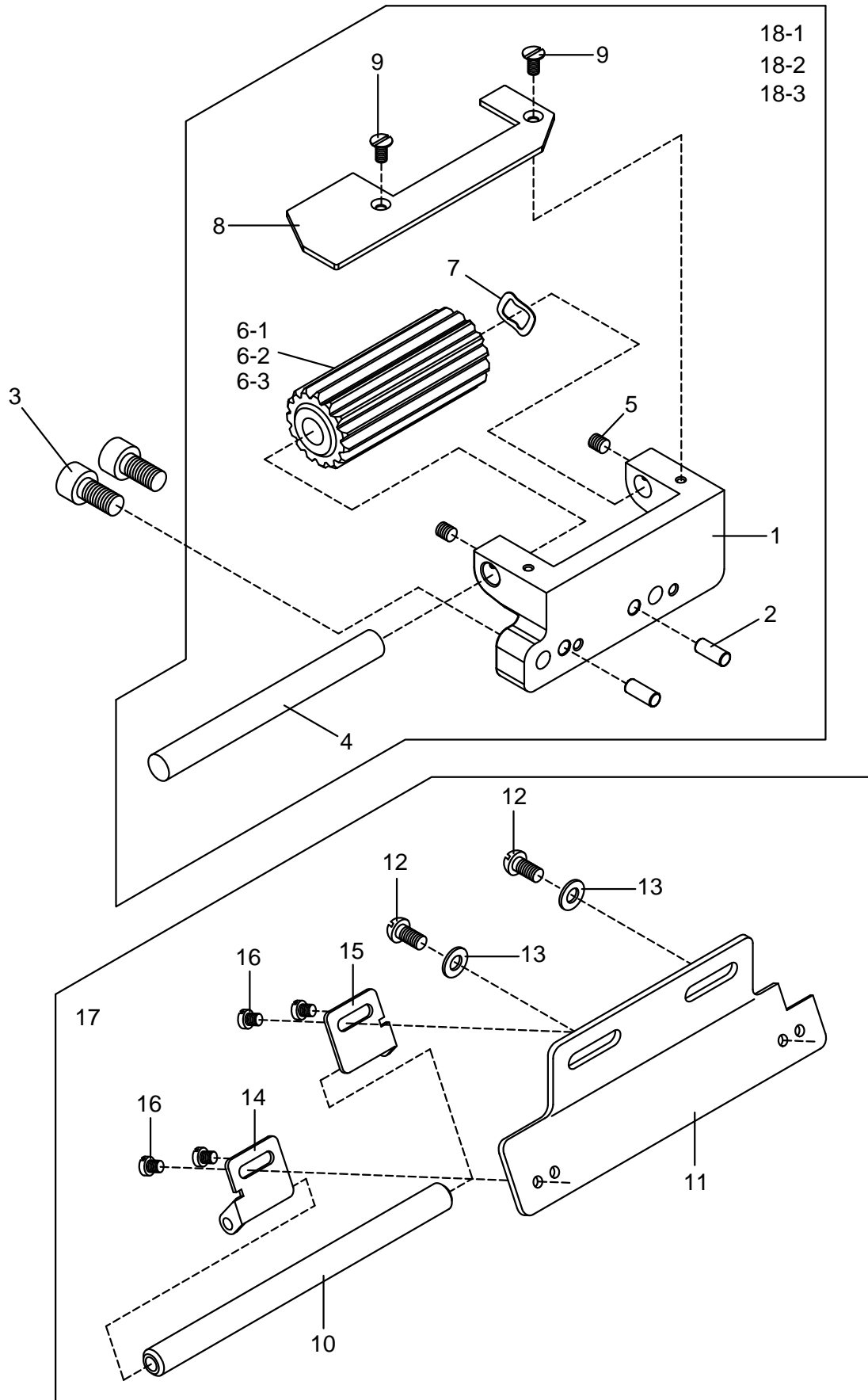
## Puller Mechanism For P(3)

## 輔助拖輪機構(3)

C22

Ref.No	Parts.No	Description	品名	Amt.Req.
1	C22001	Upper Feed Roller Yoke	滾輪座	1
2	C22002	Clutch Driving Shaft Bushing-Left	滾輪軸套筒-左	1
3	C22003	Clutch Driving Shaft Bushing-Right	滾輪軸套筒-右	1
4	C20015	Screw(M6-1x20)	螺絲	1
5	C02026	Screw (M4-0.7x4)	螺絲	1
6	C22006	Stop pin	止動梢	1
7	C22007	Clutch Tension Sleeve	襯套	1
8	C22008	Nut	螺帽	2
9	C22009	Upper Feed Roller Yoke Guide	導引叉	1
10	C22010	Upper Feed Roller Yoke Pin	拖輪導引梢	1
11	C22011	Wire	開口梢	1
12	C22012	Clutch Driving Shaft	滾輪軸	1
13	C22013	Retaining Ring	E型扣環	1
14	C22014	Screw(M5-0.8x7)	螺絲	1
15-1	C22015-1	Upper Feed Roller (P-Type)	粗齒滾輪	1
15-2	C22015-2	Lower Feed Roller (PS-Type)	細齒滾輪	1
15-3	C22015-3	Lower Feed Roller (PF-Type)	平齒滾輪	1
16	C22016	Bearing Bushing-Right	軸承襯套-右	1
17	A0151	Screw (9/64-40x5.6)	螺絲	6
18	C22018	Clutch Sleeve	滾輪襯套	1
19	C22019	Uni-Directional Bearing	單向軸承	2
20	C02021	Screw(M6-1x6)	螺絲	1
21	C22021	Clutch Spacer	隔環	1
22	C22022	Bearing Bushing-Right	軸承襯套-左	1
23	A0137	Screw (9/64-40x7.8)	螺絲	3
24	C02044	Screw (M4-0.7x5)	螺絲	2
25	C22025	Upper Feed Roller Plate	滾輪擋板	1
26	C22026	Clutch Driving Lever	滾輪連接手柄	1
27	C22027	Clutch Tension Spring	星形彈性壓環	1
28	C02017	Screw (M4-0.7x8)	螺絲	2
29-1	C22029-1	Lower Feed Roller (P-Type), C. Set	粗齒滾輪組	1
29-2	C22029-2	Lower Feed Roller (PS-Type), C. Set	細齒滾輪組	1
29-3	C22029-3	Lower Feed Roller (PF-Type), C. Set	平齒滾輪組	1

# C23



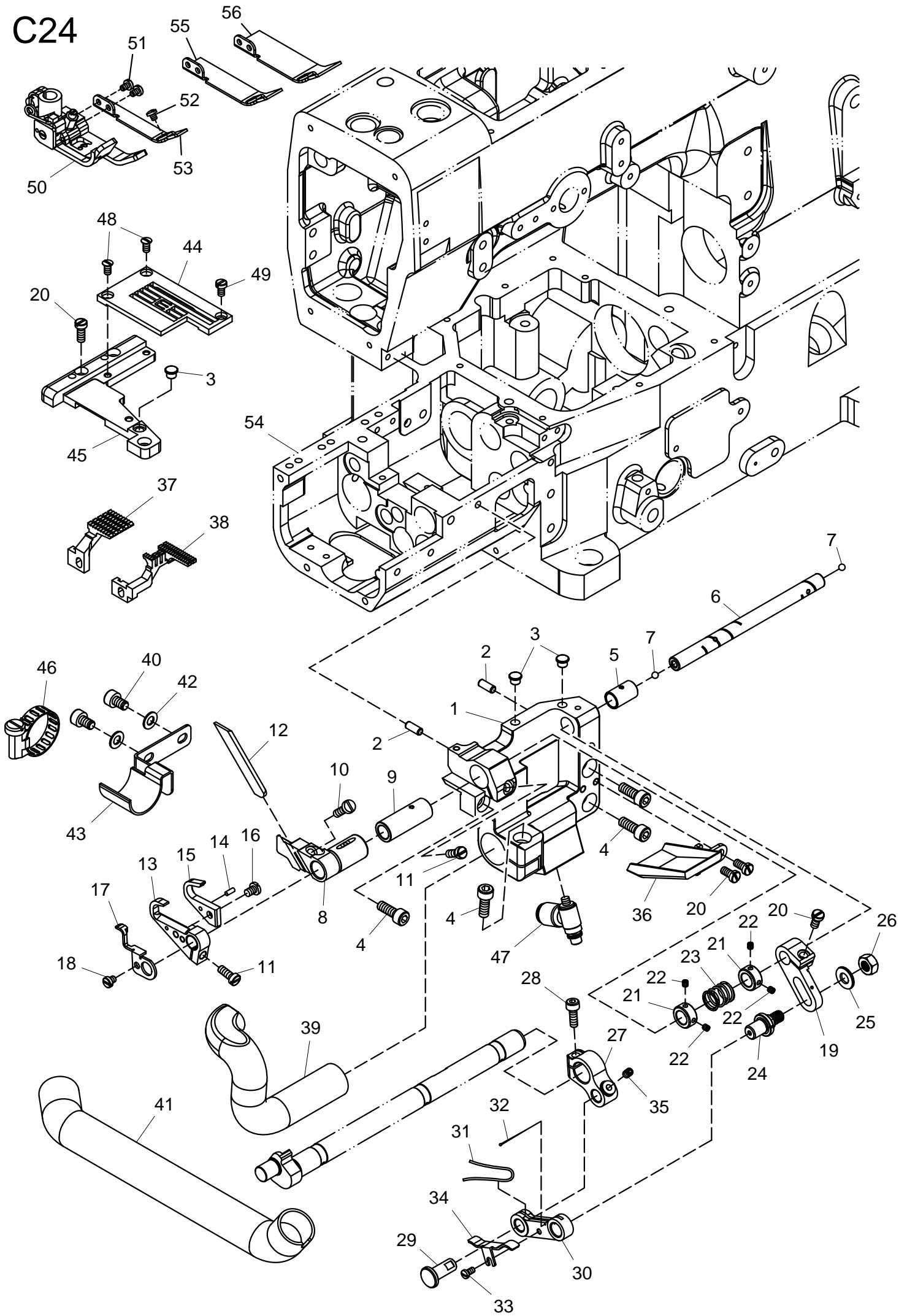
## Puller Mechanism For P(4)

## 輔助拖輪機構(4)

C23

Ref.No	Parts.No	Description	品名	Amt.Req.
1	C23001	Lower Feed Roller Support	下滾輪座	1
2	C23002	Pin	梢	2
3	C06040	Screw(M6-1x16)	螺絲	2
4	C23004	Lower Feed Roller Shaft	小滾輪軸	1
5	C02026	Screw (M4-0.7x4)	螺絲	2
6-1	C23006-1	Lower Feed Roller (P-Type)	粗齒滾輪	1
6-2	C23006-2	Lower Feed Roller (PS-Type)	細齒滾輪	1
6-3	C23006-3	Lower Feed Roller (PF-Type)	平齒滾輪	1
7	C23007	Elastic Washer	波形彈性墊片	1
8	C23008	Lower Feed Roller Plate	下滾輪擋板	1
9	C02038	Screw(M3-0.5x6)	螺絲	2
10	C23010	Supplementary Roller	輔助滾軸	1
11	C23011	Supplementary Roller Support	輔助滾軸支架	1
12	C02041	Screw(M4-0.7x6)	螺絲	2
13	C03030	Washer	墊片	2
14	C23014	Supplementary Roller Stay-Left	輔助滾軸左擋板	1
15	C23015	Supplementary Roller Stay-Right	輔助滾軸右擋板	1
16	C02049	Screw(M3-0.5x3.5)	螺絲	4
17	C23017	Supplementary Roller, C. Set	輔助滾軸組	1
18-1	C23018-1	Lower Feed Roller (P-Type), C. Set	粗齒滾輪組	1
18-2	C23018-2	Lower Feed Roller (PS-Type), C. Set	細齒滾輪組	1
18-3	C23018-3	Lower Feed Roller (PF-Type), C. Set	平齒滾輪組	1

# C24





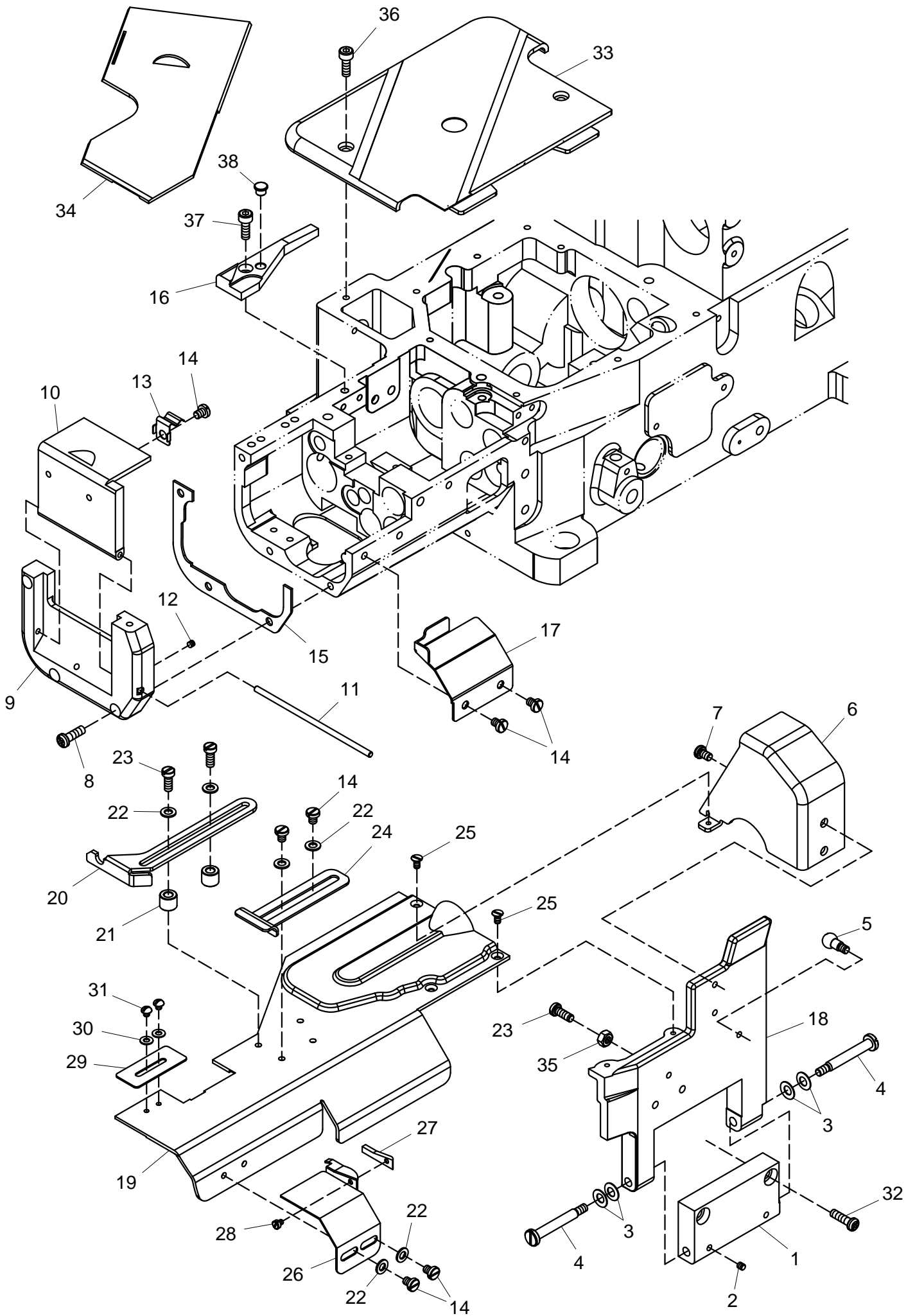
## 721 KNIFE DRIVING MECHANISM

## 721切刀驅動機構

C24

Ref.No	Parts.No	Description	品名	Amt.Req.
1	C24001	Lower Knife Holder Bracket	刀台	1
2	C24002	Knock Pin	定位銷	2
3	C02020	Seal Plug(Ø4.9x4.3)	止油膠塞	3
4	A06046	Screw (M5-0.8x14)	螺絲	4
5	C24005	Upper Knife Shaft Bushing	軸襯	1
6	C24006	Upper Knife Shaft	軸	1
7	A0501-1	Plug	孔塞	2
8	C24008	Lower Knife Holder	下刀刀座	1
9	C24009	Lower Knife Holder Bracket	軸襯	1
10	C02031	Screw(M4-0.7x12)	螺絲	1
11	C07004	Screw(M4-0.7x10)	螺絲	2
12	C24012	Lower Knife	下刀	1
13	C24013	Upper Knife Holder	上刀刀座	1
14	C24014	Spring Pin	彈簧銷	1
15	C24015	Upper Knife	上刀	1
16	C24016	Screw (M4-0.7x5.5)	螺絲	1
17	C24017	Safety Plate Holder	護指擋片	1
18	C24018	Screw (M3.5-0.6x4)	螺絲	1
19	C24019	Upper Knife Adjusting Lever	變距曲柄	1
20	C02017	Screw (M4-0.7x8)	螺絲	6
21	C24021	Collar	軸環	2
22	C01014	Screw (M3-0.5x3)	螺絲	4
23	C24023	Spring	彈簧	1
24	C24024	Adjusting Lever Pin	曲柄銷	1
25	C24025	Washer	墊片	1
26	C09009	Nut	螺帽	1
27	C24027	Link	連桿	1
28	C02002	Screw(M4-0.7x12)	螺絲	1
29	C24029	Link Pin	連結銷	1
30	C24030	Link	連桿	1
31	C24031	Oil Wick	油芯	1
32	C24032	Oil Wick Pin	銷	1
33	C04049	Screw (M3-0.5x6.5)	螺絲	1
34	C24034	Link Cover	壓板	1
35	C02026	Screw (M4-0.7x4)	螺絲	1
36	C24036	Oil Defender	防油擋片	1
37	R21001	Main Feed Dog	主送布齒	1
38	F21001	Diff Feed Dog	副送布齒	1
39	C24039	Suction Pipe	吸風管	1
40	C11048	Screw(M5-0.8x8)	螺絲	2
41	C24041	Suction Pipe	吸風管	1
42	B25024	Washer	墊片	2
43	C24043	Stitch Plate Support	支架	1
44	S21056	Throat Plate(5.6mm)	針板	1
45	C25001	Stitch Plate Support	針板座	1
46	C24046	Hose Clamp	管束	1
47	C24047	Speed Controller	節流閥	1
48	C07010	Screw(9/64-40x4.8)	螺絲	2
49	U13016	Screw (M3.5-0.6x6)	螺絲	1
50	P21056	Presser Foot, C. Set.(5.6mm)	壓腳組	1
51	C24151	Screw (3/32"-56x3.5)	螺絲	2
52	C24152	Screw (3/32"-56x2.7)	螺絲	1
53	C24153	Hinged Type Presser Foot	輔助壓腳底	1
54	C24054	Frame Unit	車頭	1
55	C24155	Hinged Type Presser Foot	輔助壓腳底	1
56	C24156	Hinged Type Presser Foot	輔助壓腳底	1

# C25



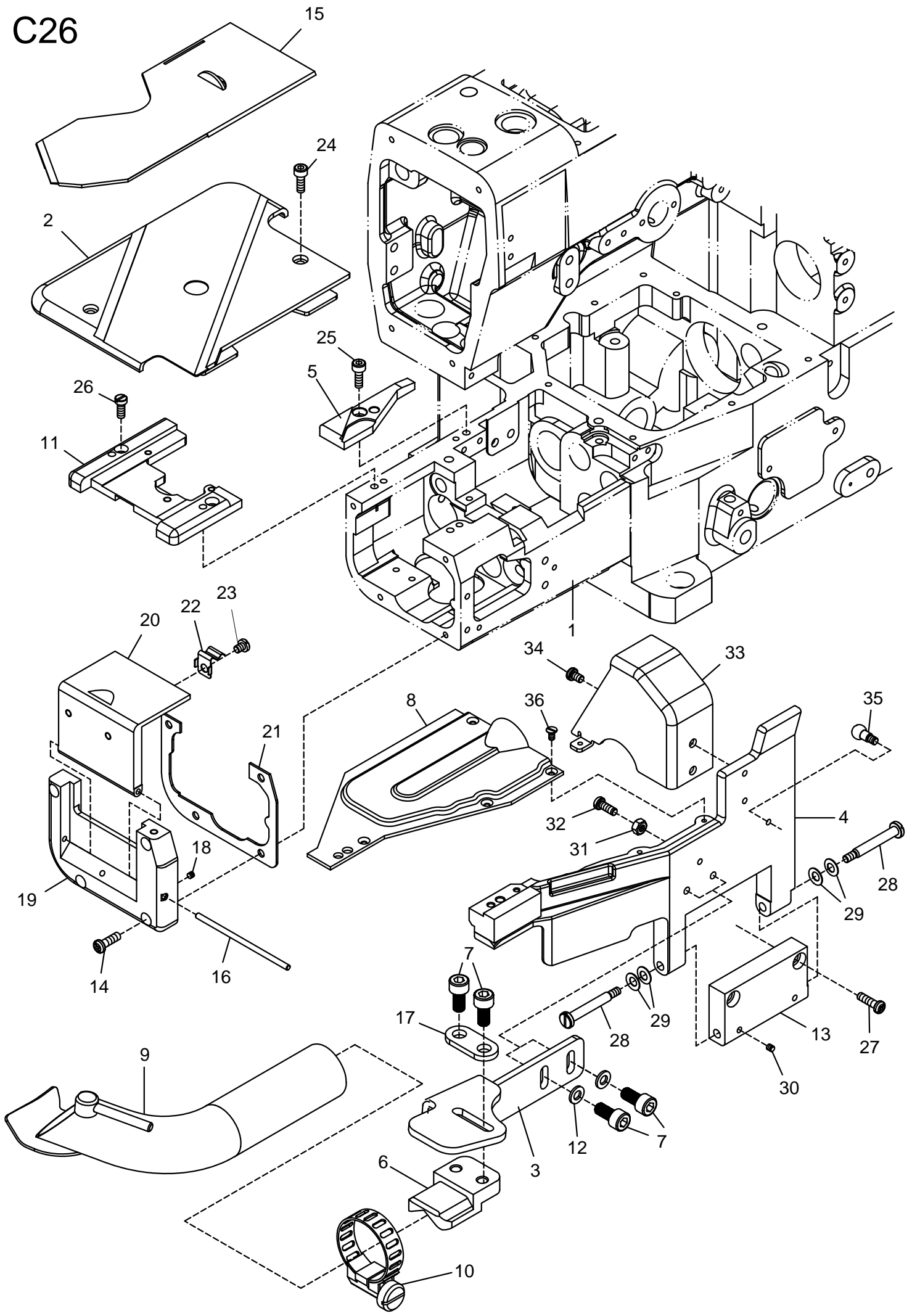
## 721 MISCELLANEOUS COVERS

## 721機殼機構

C25

Ref.No	Parts.No	Description	品名	Amt.Req.
1	C02022	Front Cover Hinge	前蓋絞鏈	1
2	C02026	Screw (M4-0.7x4)	螺絲	2
3	C02025	Conical Spring Washer	錐形彈簧墊圈	4
4	C02024	Screw(M4-0.7x8)	螺絲	2
5	C02042	Screw(M4-0.7x5)	螺絲	1
6	C02039	Thread Take-up Cover(Front)	提線蓋(前)	1
7	C02041	Screw(M4-0.7x6)	螺絲	2
8	C01002	Screw(M4-0.7x12)	螺絲	3
9	C25009	Side Cover(Lower)	側蓋(下)	1
10	C25010	Side Cover(Upper)	側蓋(上)	1
11	C25011	Side Cover Hinge Pin	側蓋樞鈕插銷	1
12	C01014	Screw (M3-0.5x3)	螺絲	1
13	C25013	Side Cover Hook	側蓋扣	1
14	U01021	Screw (M4-0.7x5)	螺絲	7
15	C25015	Side Cover Gasket	側蓋止油墊	1
16	C25016	Slide Cover Supplementary Block	滑件補助蓋	1
17	C25017	Chip Guard	切屑導板	1
18	C25018	Front Cover(Lower)	前蓋(下)	1
19	C25019	Front Cover(Upper)	前蓋(上)	1
20	C25020	Fabric Guide	布導板	6
21	C25021	Space Washer	間隔環	2
22	C03030	Washer	墊片	6
23	C02031	Screw(M4-0.7x12)	螺絲	3
24	C25024	Fabric Guide	布導板	1
25	C02038	Screw(M3-0.5x6)	螺絲	3
26	C25026	Folder	布擋邊	1
27	C25027	Folder Spacer	布擋邊塊	1
28	C03049	Screw(M2.5-0.45x3.5)	螺絲	1
29	C25029	Cover	護蓋	1
30	C04052	Washer	墊片	2
31	C25031	Screw (M3-0.5x3)	螺絲	2
32	C02023	Screw(M4-0.7x14)	螺絲	2
33	C25033	Top Cover	上蓋	1
34	C25034	Slider Cover	滑蓋	1
35	C02029	Nut	螺帽	1
36	C02002	Screw(M4-0.7x12)	螺絲	2
37	C03041	Screw (M4-0.7x6)	螺絲	1
38	C02020	Seal Plug(Ø4.9x4.3)	止油膠塞	1

# C26



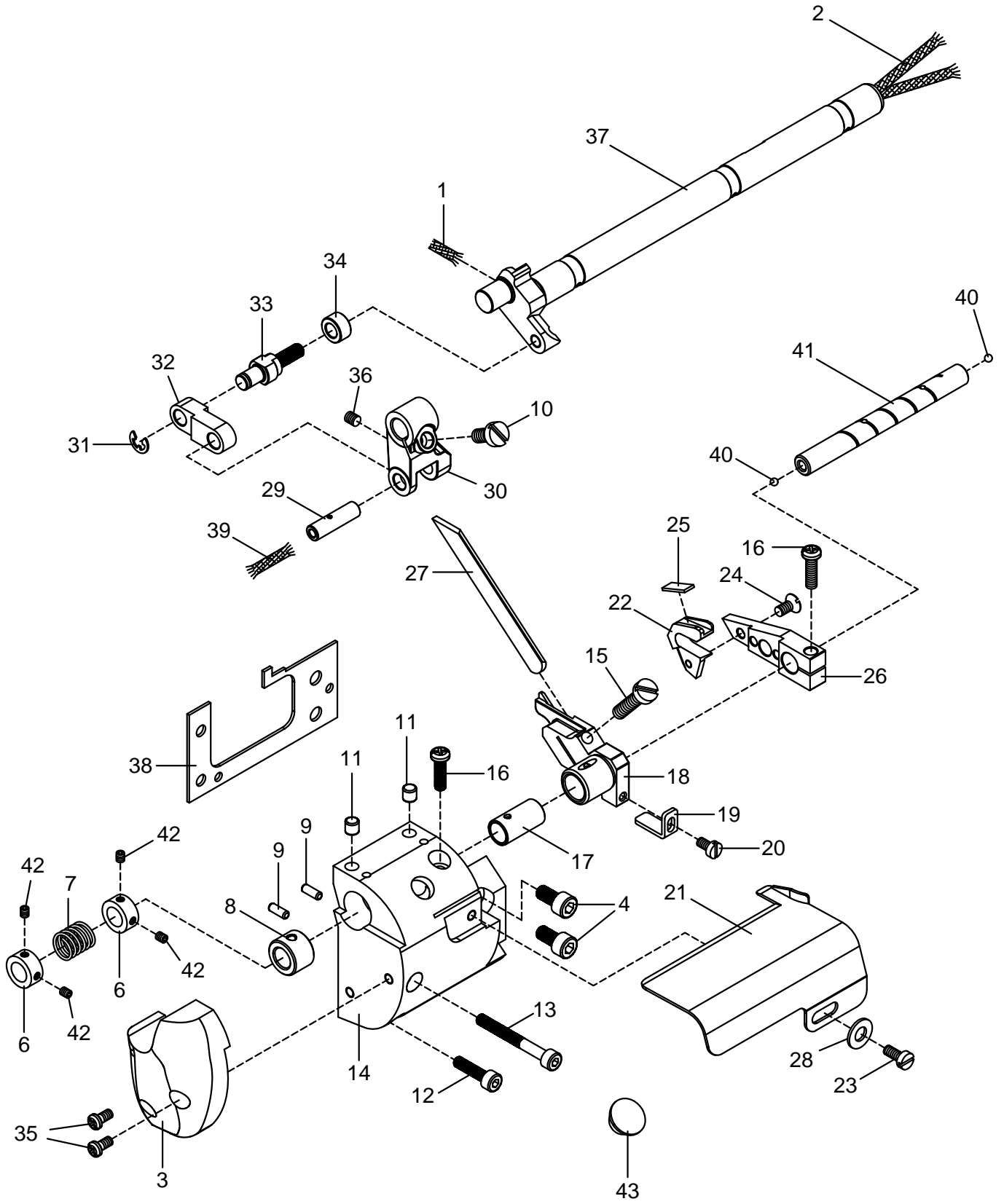
## 735 Attaching ElasticTape Mechanism(1)

## 735環縫鬆緊帶機構(1)

C26

Ref.No	Parts.No	Description	品名	Amt.Req.
1	C26001	Frame Unit	機頭	1
2	C25033	Top Cover	上蓋	1
3	C26003	Suction Pipe Support	吸風管支架	1
4	C26004	Front Cover	底座前蓋	1
5	C26005	Supplementary Block	輔助蓋板	1
6	C26006	Suction Pipe Block	吸風管固定塊	1
7	C11014	Screw(M5-0.8x12)	螺絲	4
8	C26008	Front Cover Top Plate	底座前蓋上蓋板	1
9	C26009	Suction Pipe	吸風管組件	1
10	C26010	Hose Band	管束	1
11	C26011	Stitch Plate Holder	針板支架	1
12	B25024	Washer	墊片	2
13	C02022	Front Cover Hinge	前蓋絞鏈	1
14	C01002	Screw(M4-0.7x12)	螺絲	4
15	C26015	Slider Cover	滑蓋	1
16	C25011	Side Cover Hinge Pin	側蓋樞鈕插銷	1
17	C26017	Washer	墊片	1
18	C01014	Screw (M3-0.5x3)	螺絲	1
19	C26019	Side Cover	底座左側蓋板	1
20	C26020	Sewing Cover	縫台	1
21	C26021	Side Cover Gasket	防油墊片	1
22	C25013	Side Cover Hook	側蓋扣	1
23	U01021	Screw (M4-0.7x5)	螺絲	1
24	C02002	Screw(M4-0.7x12)	螺絲	2
25	C03041	Screw (M4-0.7x6)	螺絲	1
26	C02017	Screw (M4-0.7x8)	螺絲	2
27	C02023	Screw(M4-0.7x14)	螺絲	2
28	C02024	Screw(M4-0.7x8)	螺絲	2
29	C02025	Conical Spring Washer	錐形彈簧墊圈	4
30	C02026	Screw (M4-0.7x4)	螺絲	2
31	C02029	Nut	螺帽	1
32	C02031	Screw(M4-0.7x12)	螺絲	1
33	C02039	Thread Take-up Cover(Front)	提線蓋(前)	1
34	C02041	Screw(M4-0.7x6)	螺絲	2
35	C02042	Screw(M4-0.7x5)	螺絲	1
36	C02038	Screw(M3-0.5x6)	螺絲	4

# C27



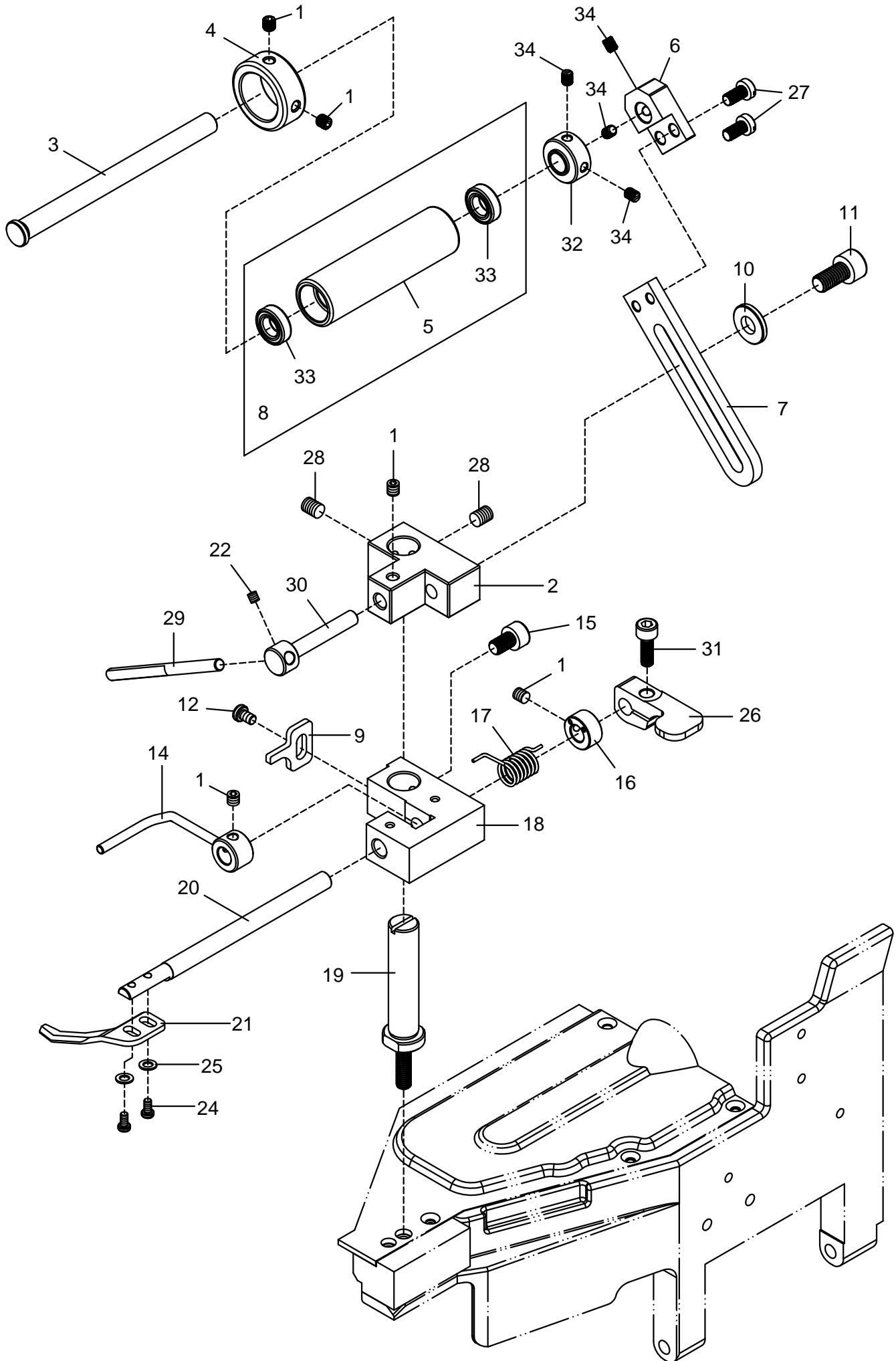
## 735 Attaching ElasticTape Mechanism(2)

## 735環縫鬆緊帶機構(2)

C27

Ref.No	Parts.No	Description	品名	Amt.Req.
1	C12029	Oil Wick(Ø2x11mm)	油芯	1
2	C12027	Oil Wick(Ø5x150mm)	油芯	1
3	C27003	Knife Holder Side Cover	刀座側蓋	1
4	C06043	Screw (M5-0.8x10)	螺絲	2
5				
6	C24021	Collar	軸環	2
7	C24023	Spring	彈簧	1
8	C27008	Upper Knife Shaft Bushing	上刀軸襯套	1
9	C27009	Pin	梢	2
10	C07012	Screw(M5-0.8x10)	螺絲	1
11	C02020	Seal Plug(Ø4.9x4.3)	止油膠塞	2
12	C07025	Screw (M4-0.7x16)	螺絲	1
13	C27013	Screw(M4-0.7x35)	螺絲	1
14	C27014	Lower Knife Holder Bracket	刀座	1
15	C27015	Screw(M4-0.7x16)	螺絲	1
16	C02023	Screw(M4-0.7x14)	螺絲	2
17	C27017	Lower Knife Holder Bushing	刀架襯套	1
18	C27018	Lower Knife Holder	刀架	1
19	C27019	Lower Knife Holder Guide	限位片	1
20	C04049	Screw (M3-0.5x6.5)	螺絲	1
21	C27021	Edge Guide	導模	1
22	C27022	Upper Knife	上切刀	1
23	C06048	Screw(M4-0.7x8)	螺絲	1
24	C02038	Screw(M3-0.5x6)	螺絲	1
25	C27025	Upper Knife Sheet	上切刀覆片	1
26	C27026	Upper Knife Holder	上切刀架	1
27	C27027	Lower Knife	固定切刀	1
28	C03030	Washer	墊片	1
29	C27029	Upper Knife Driving Lever Pin	連桿梢	1
30	C27030	Upper Knife Driving Lever	連桿	1
31	C27031	Retaining Ring	E型扣環	1
32	C27032	Upper Knife Driving Connection	上切刀傳動連桿	1
33	C27033	Screwed Pin	結合梢	1
34	C27034	Spacer	隔環	1
35	C01025	Screw (M4-0.7x8)	螺絲	2
36	C02026	Screw (M4-0.7x4)	螺絲	1
37	C27037	Feed Lift Shaft	送料具提升軸	1
38	C27038	Lower Knife Holder Bracket Gasket	防油墊片	1
39	C27039	Oil Wick	油芯	1
40	C24007	Plug	孔塞	2
41	C27041	Upper Knife Shaft	上刀軸	1
42	C01014	Screw (M3-0.5x3)	螺絲	4
43	C27043	Seal Plug	止油膠塞	1

# C28





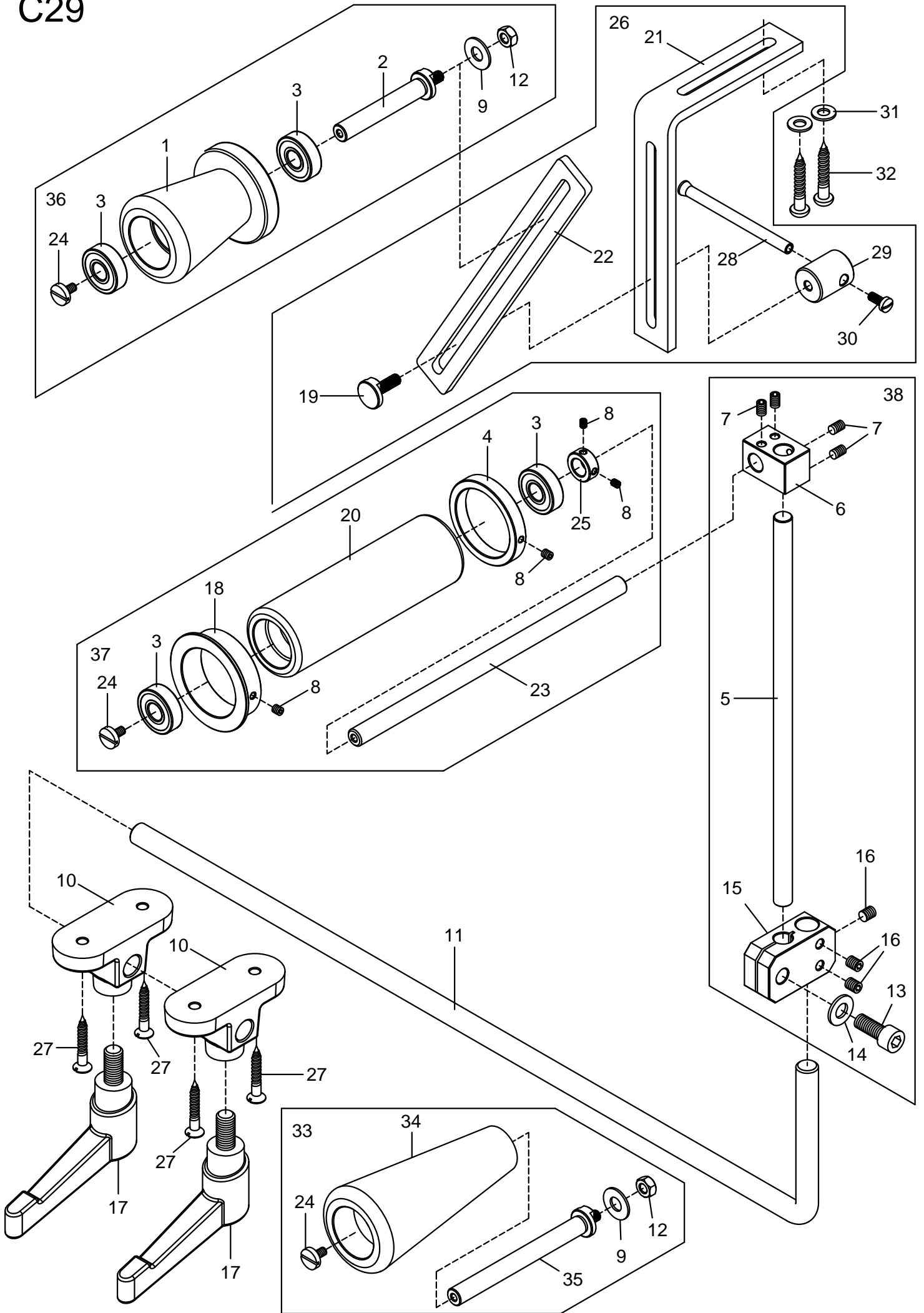
## 735 Attaching ElasticTape Mechanism(3)

## 735環縫鬆緊帶機構(3)

C28

Ref.No	Parts.No	Description	品名	Amt.Req.
1	C02026	Screw (M4-0.7x4)	螺絲	5
2	C28002	Elastic Tape Guide Bracket	鬆緊帶導架	1
3	C28003	Small Roller Shaft	小滾輪軸	1
4	C28004	Collar	固定環	1
5	C28005	Small Roller	小滾輪	1
6	C28006	Small Roller Holder	小滾輪固定架	1
7	C28007	Small Roller Adjustment Arm	小滾輪調整臂	1
8	C28008	Small Roller, C. Set	滾輪組	2
9	C28009	Guide Bar Stop Plate	導引棒擋板	1
10	B25022	Washer	墊片	1
11	C08047	Screw(M6-1x12)	螺絲	1
12	C02041	Screw(M4-0.7x6)	螺絲	1
13				1
14	C28014	Farbric Presser Guide Bar	導引棒	1
15	C11048	Screw(M5-0.8x8)	螺絲	1
16	C28016	Collar	扭力調整環	1
17	C28017	Farbric Presser Spring	壓布扭力彈簧	1
18	C28018	Farbric Presser Bracket	壓布器托架	1
19	C28019	Bracket Holder	固定栓	1
20	C28020	Farbric Presser Shaft	壓布軸	1
21	C28021	Farbric Presser Plate	壓布板	1
22	C01014	Screw (M3-0.5x3)	螺絲	1
23				
24	C04049	Screw (M3-0.5x6.5)	螺絲	2
25	C04052	Washer	墊片	2
26	C28026	Farbric Presser Lifting Lever	壓布板提把	1
27	C06048	Screw(M4-0.7x8)	螺絲	2
28	C05021	Screw(M5-0.8x5)	止付螺絲	2
29	C28029	Elastic Tap Guide	鬆緊帶導模	1
30	C28030	Elastic Tape Guide Shaft	導模固定桿	1
31	B1427	Screw (M4-0.7x12)	螺絲	1
32	C28032	Collar	固定環	1
33	C28033	Ball Bearing	軸承	2
34	C28034	Screw(M3.5-0.6x4.5)	止付螺絲	4

# C29



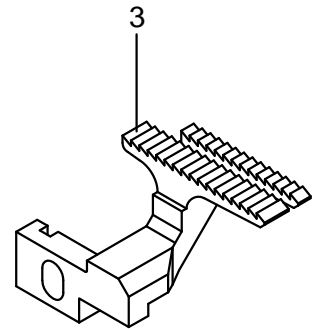
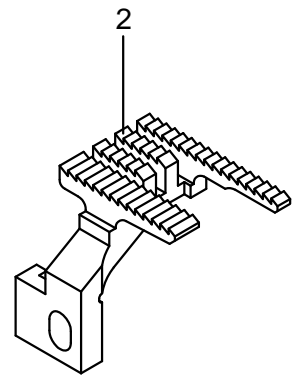
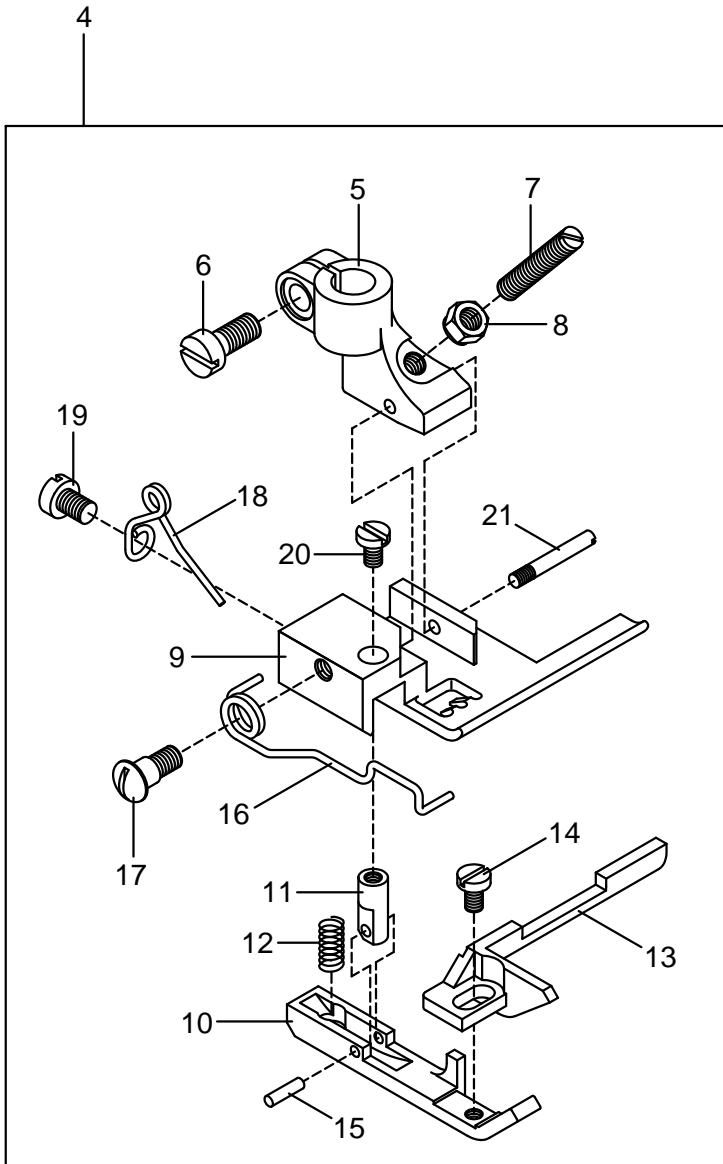
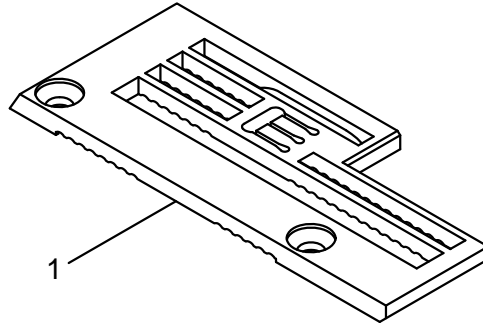
## 735 Attaching ElasticTape Mechanism(4)

## 735環縫鬆緊帶機構(4)

C29

Ref.No	Parts.No	Description	品名	Amt.Req.
1	C29001	Tension Roller	張力滾輪	1
2	C29002	Tension Roller Shaft	張力滾輪支軸	1
3	C29003	Ball Bearing	軸承	4
4	C29004	Elastic Tape Collar	鬆緊帶擋環	1
5	C29005	Front Roller Fixed Shaft	前滾輪固定軸	1
6	C29006	Front Roller Fixed Block	前滾輪固定塊	1
7	C05021	Screw(M5-0.8x5)	止付螺絲	4
8	C02026	Screw (M4-0.7x4)	螺絲	4
9	C29009	Washer	墊片	2
10	C29010	Bracket	支架座	2
11	C29011	Elastic Tape Front Roller Holding Shaft	支架	1
12	C09009	Nut	螺帽	2
13	C01030	Screw(M8-1.25x20)	螺絲	1
14	C17003	Washer	墊片	1
15	C29015	Elastic Tape Front Roller Connector	支架連結塊	1
16	C02021	Screw(M6-1x6)	螺絲	3
17	C29017	Knob Bolt	支架座固定把手	2
18	C29018	Elastic Tape Guide	鬆緊帶導模	1
19	C29019	Screw(M6-1x16)	螺絲	1
20	C29020	Elastic Tape Front Roller	鬆緊帶前滾輪	1
21	C29021	Tension Roller Support	張力滾輪支撐架	1
22	C29022	Tension Roller Slider	張力滾輪移動架	1
23	C29023	Elastic Tape Front Roller Shaft	鬆緊帶前滾輪轉軸	1
24	C29024	Screw(SM11/64-40x8)-左牙	螺絲	3
25	C09122	Collar(10x18x7mm)	軸環	1
26	C29026	Tension Roller Support, C. Set	張力滾輪支撐架組	2
27	C29027	Wood Screw(M5x25)	木螺釘	4
28	C29028	Tension Roller Slider Stop Handle	手柄	1
29	C29029	Tension Roller Slider Stop Block	固定塊	1
30	A01003	Screw(11/64-40x10)	螺絲	1
31	B25022	Washer	墊片	2
32	C29032	Wood Screw(M6x30)	木螺釘	2
33	C29033	Tension Roller, C. Set	張力滾輪組	1
34	C29034	Tension Roller	張力滾輪	1
35	C29035	Tension Roller Shaft	張力滾輪支軸	1
36	C29036	Tension Roller, C. Set	張力滾輪組	1
37	C29037	Elastic Tape Front Roller, C. Set	鬆緊帶前滾輪組	1
38	C29038	Front Roller Fixed Shaft, C. Set	前滾輪固定軸組	1

# C30



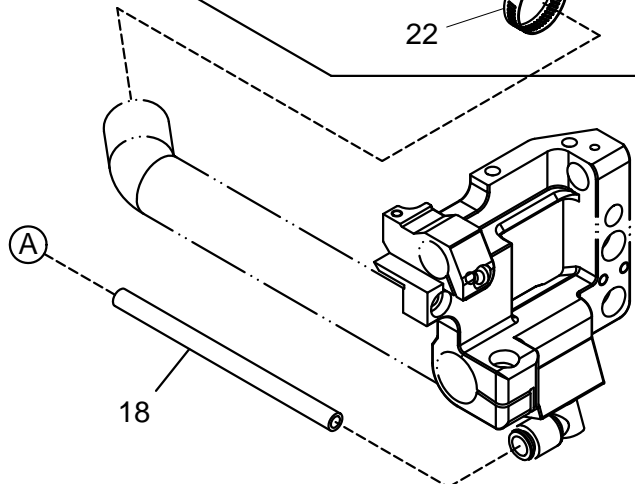
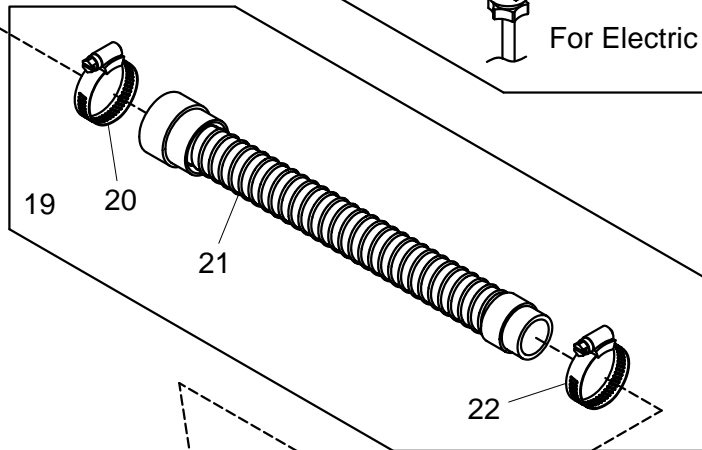
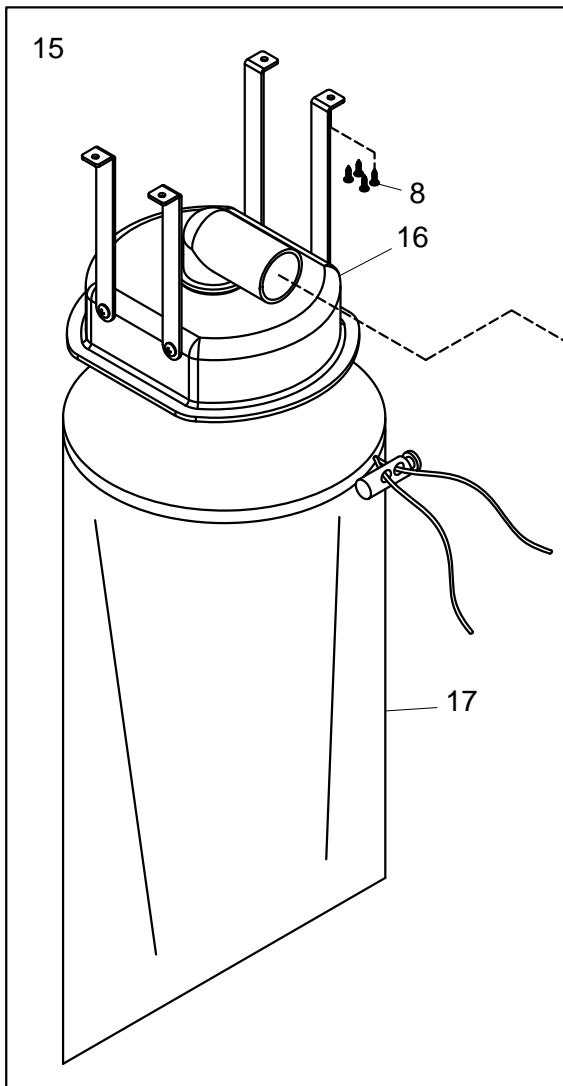
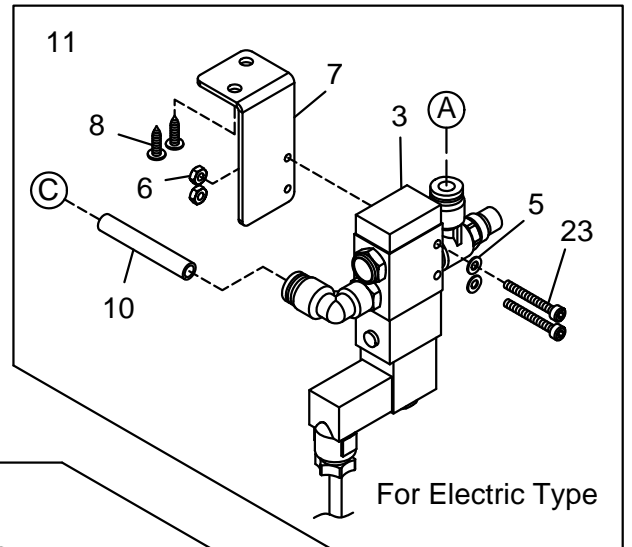
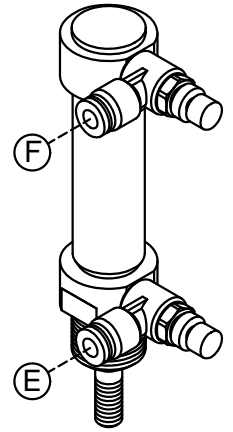
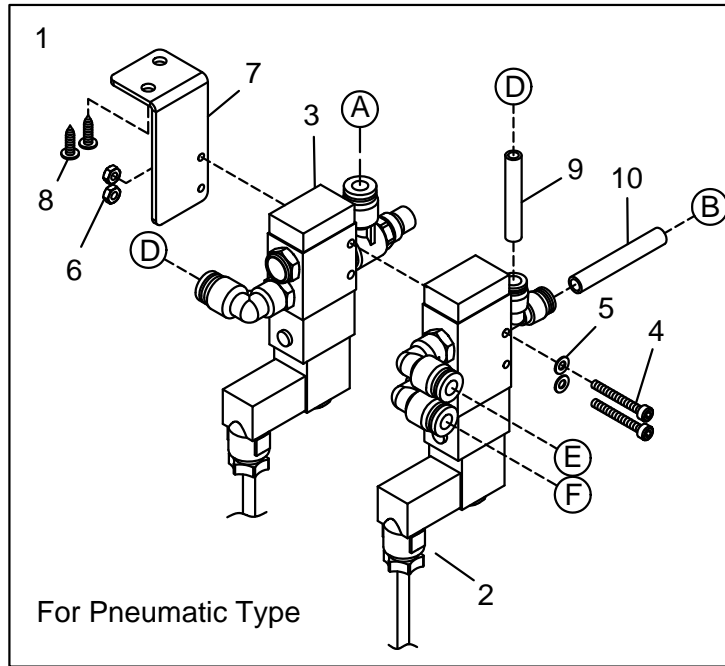
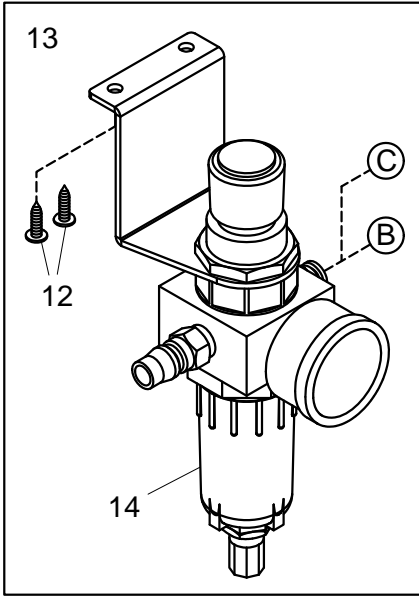
## 735 Attaching ElasticTape Mechanism(5)

## 735環縫鬆緊帶機構(5)

C30

Ref.No	Parts.No	Description	品 名	Amt.Req.
1	S35056	Needle Plate(5.6mm)	針板	1
2	R35001	Main Feed Dog	主送布齒	1
3	F35001	Differential Feed Dog	差動送布齒	1
4	P35056	Presser Foot, c. Set(5.6mm)	壓腳組件	1
5	C30005	Presser Bar Clamp	壓腳頭	1
6	C08018	Screw(M3.5-0.6x10)	螺絲	1
7	C08027	Adjusting Screw(1/8-44x9.5)	可調螺絲	1
8	C08026	Lock Nut	併緊螺帽	1
9	C30009-356	Presser Foot	壓腳底座	1
10	C30010	Floating Presser Foot	活動壓腳	1
11	C30011	Floating Presser Bar	活動壓腳導柱	1
12	C30012	Spring	壓縮彈簧	1
13	C30013	Elastic Tape Guide	布料導板	1
14	C30014	Screw(SM3/32-56x3.8)	螺絲	1
15	C30015	Link Pin	梢	1
16	C30016	Presser Foot Spring	扭力彈簧	1
17	C30017	Screw(SM1/8-44x4.5)	抬階螺絲	1
18	C30018	Presser Foot Spring	扭力彈簧	1
19	C30019	Screw(SM1/8-44x4.5)	螺絲	1
20	C30020	Screw(SM3/32-56x4)	螺絲	1
21	C30021	Presser Foot Hinge Pin	螺絲梢	1

# C31

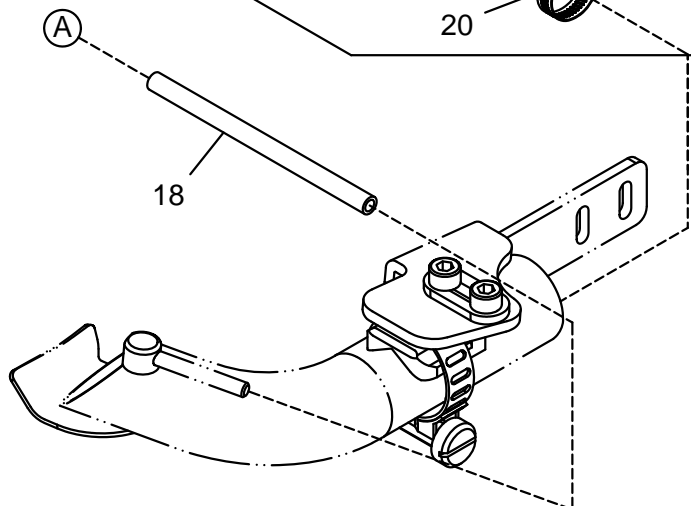
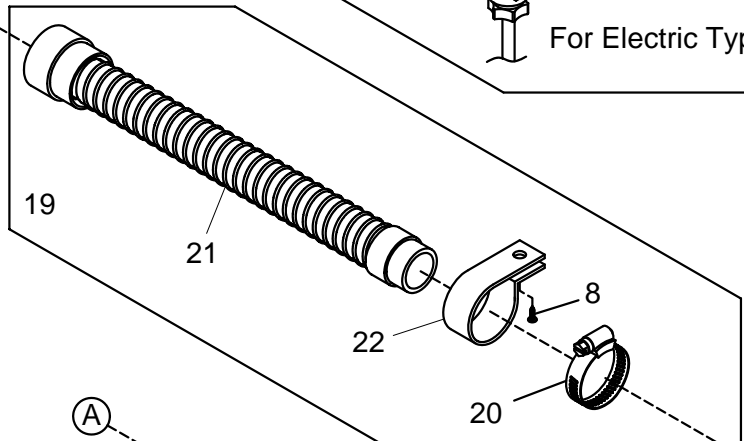
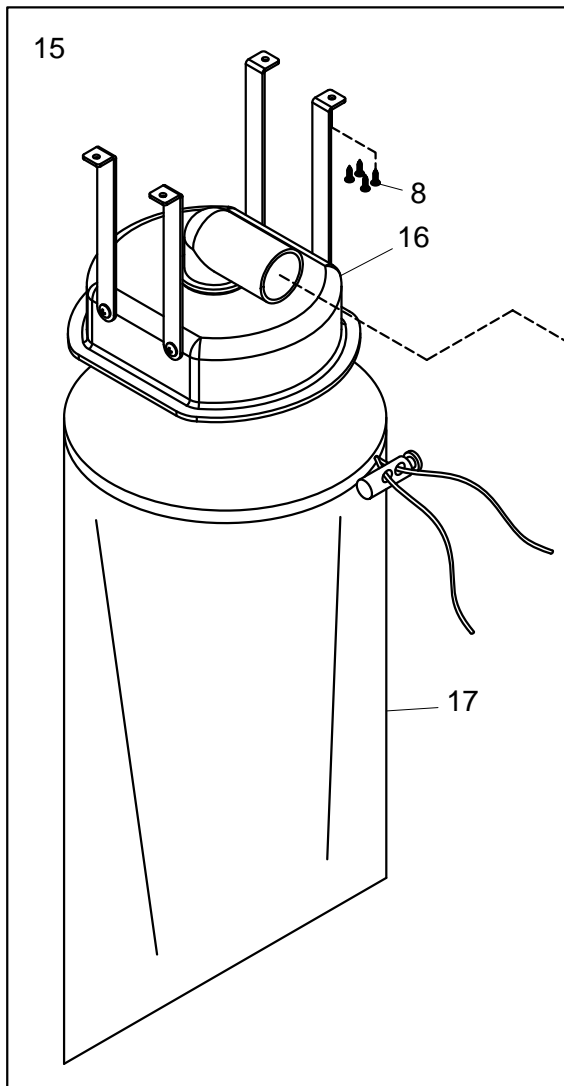
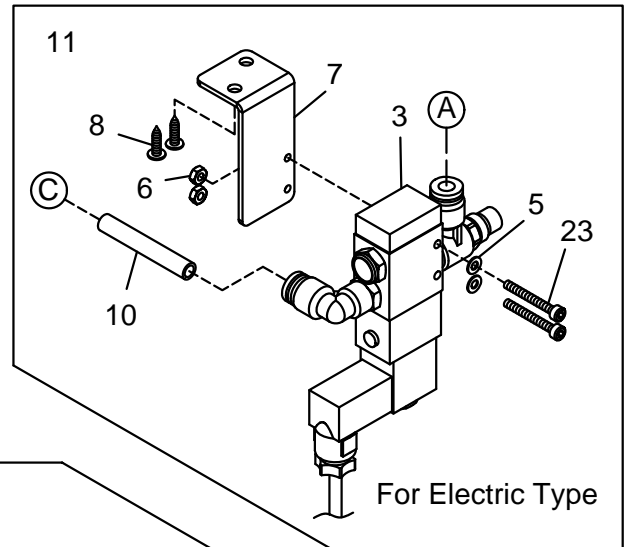
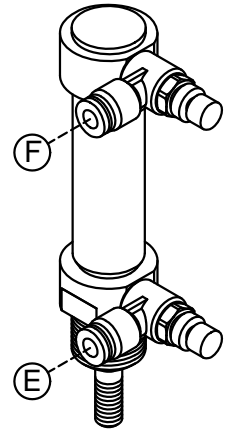
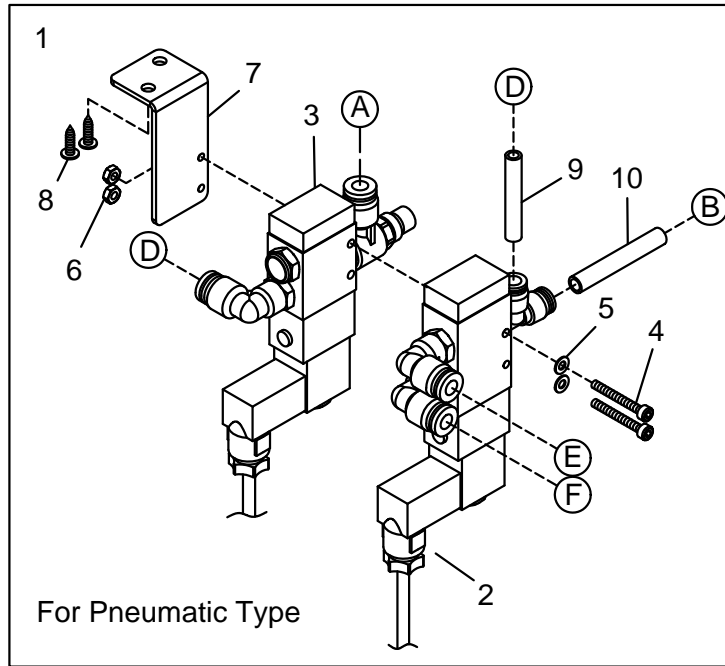
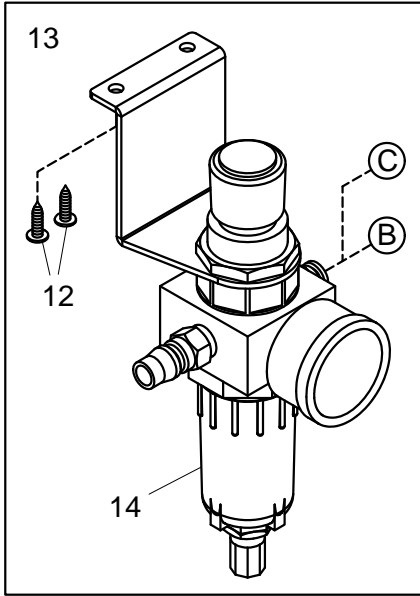


## 721 ATTACHMENT FOR HEMMING &amp; SEAM COVERING

## 721專用配件

C31

Ref.No	Parts.No	Description	品名	Amt.Req.
1	C31001	Solenoid Valve, C. Set	電磁閥組	1
2	U05113	Solenoid Valve	電磁閥	1
3	B22118	Solenoid Valve	電磁閥	1
4	U05004	Screw (M3-0.5x45)	螺絲	2
5	C04052	Washer	墊片	2
6	U05006	Nut	螺帽	2
7	U05012	Solenoid Valve Support	電磁閥架	1
8	B17015	Wood Screw	螺絲	6
9	B22123	Air Tube (4x6x250mm)	PU管	1
10	B22125	Air Tube (4x6x200mm)	PU管	1
11	C31011	Solenoid Valve, C. Set	電磁閥組	1
12	B22115	Wood Screw	螺絲	2
13	B22113	Filter Regulator, C. Set	調壓過濾器組	1
14	B22114	Filter Regulator	調壓過濾器	1
15	B17009	Waste Gather System, C. Set	集布袋組	1
16	B17010	Waste Gather Cover	集布蓋	1
17	B17011	Waste Gather Bag	集布袋	1
18	C31018	Air Tube (6x4x800mm)	PU管	1
19	C31019	Take Over, C. Set	接管組	1
20	B17006	Hose Band	管束	1
21	C31021	Spiral Pipe	螺旋管	1
22	C24046	Hose Clamp	管束	1
23	U05014	Screw (M3-0.5x25)	螺絲	2





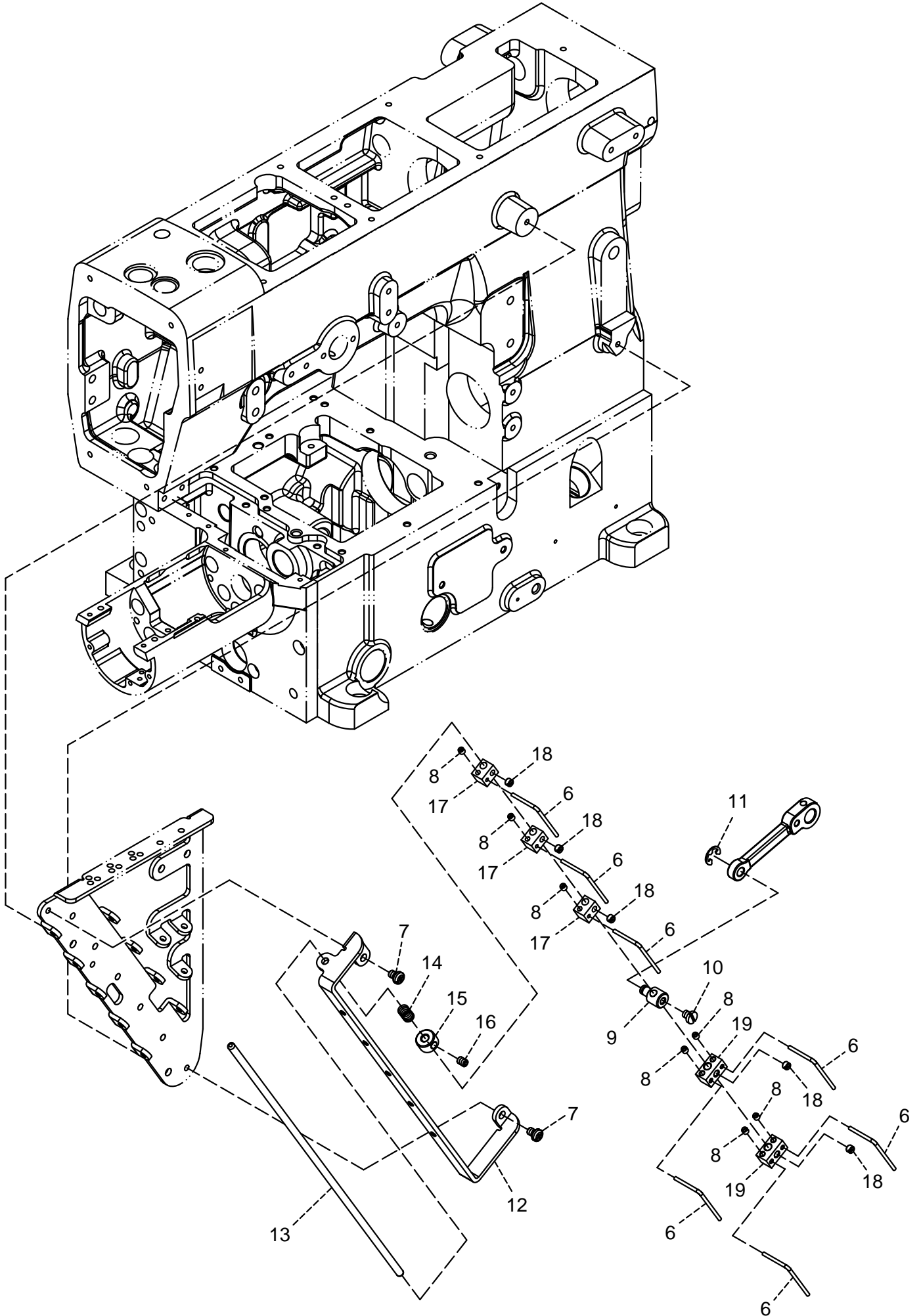
## 735 ATTACHMENT FOR HEMMING &amp; SEAM COVERING

## 735專用配件

C32

Ref.No	Parts.No	Description	品名	Amt.Req.
1	C31001	Solenoid Valve, C. Set	電磁閥組	1
2	U05113	Solenoid Valve	電磁閥	1
3	B22118	Solenoid Valve	電磁閥	1
4	U05004	Screw (M3-0.5x45)	螺絲	2
5	C04052	Washer	墊片	2
6	U05006	Nut	螺帽	2
7	U05012	Solenoid Valve Support	電磁閥架	1
8	B17015	Wood Screw	螺絲	7
9	B22123	Air Tube (4x6x250mm)	PU管	1
10	B22125	Air Tube (4x6x200mm)	PU管	1
11	C31011	Solenoid Valve, C. Set	電磁閥組	1
12	B22115	Wood Screw	螺絲	2
13	B22113	Filter Regulator, C. Set	調壓過濾器組	1
14	B22114	Filter Regulator	調壓過濾器	1
15	B17009	Waste Gather System, C. Set	集布袋組	1
16	B17010	Waste Gather Cover	集布蓋	1
17	B17011	Waste Gather Bag	集布袋	1
18	C31018	Air Tube (6x4x800mm)	PU管	1
19	C32019	Take Over, C. Set	接管組	1
20	C32020	Hose Clamp	管束	1
21	C32021	Spiral Pipe	螺旋管	1
22	C32022	Fixed Button	固定鈕	1
23	U05014	Screw (M3-0.5x25)	螺絲	2

U01



Ref.No	Parts.No	Description	品名	Amt.Req.
1				
2				
3				
4				
5				
6	U01025	Thread Pull-off Bar	鬆線鉤	7
7	C02044	Screw (M4-0.7x5)	螺絲	2
8	U01026	Screw (1/8-44x3)	螺絲	7
9	U01020	Thread Pull-off Bar Holder	鬆線桿固定座	1
10	U01021	Screw (M4-0.7x5)	螺絲	1
11	U01022	Retaining Ring	E型扣環	1
12	U01012	Thread Pull-off Eyelet	鬆線過線架	1
13	U01013	Thread Pull-off Bar	鬆線控制桿	1
14	U01014	Swing-proof Spring	彈簧	1
15	U01015	Collar	軸環	1
16	C02026	Screw (M4-0.7x4)	螺絲	1
17	U01017	Thread Pull-off Hook	鬆線鉤固定座	3
18	U01018	Screw (M4-0.7x3)	螺絲	5
19	U01019	Thread Pull-off Hook	鬆線鉤固定座	2



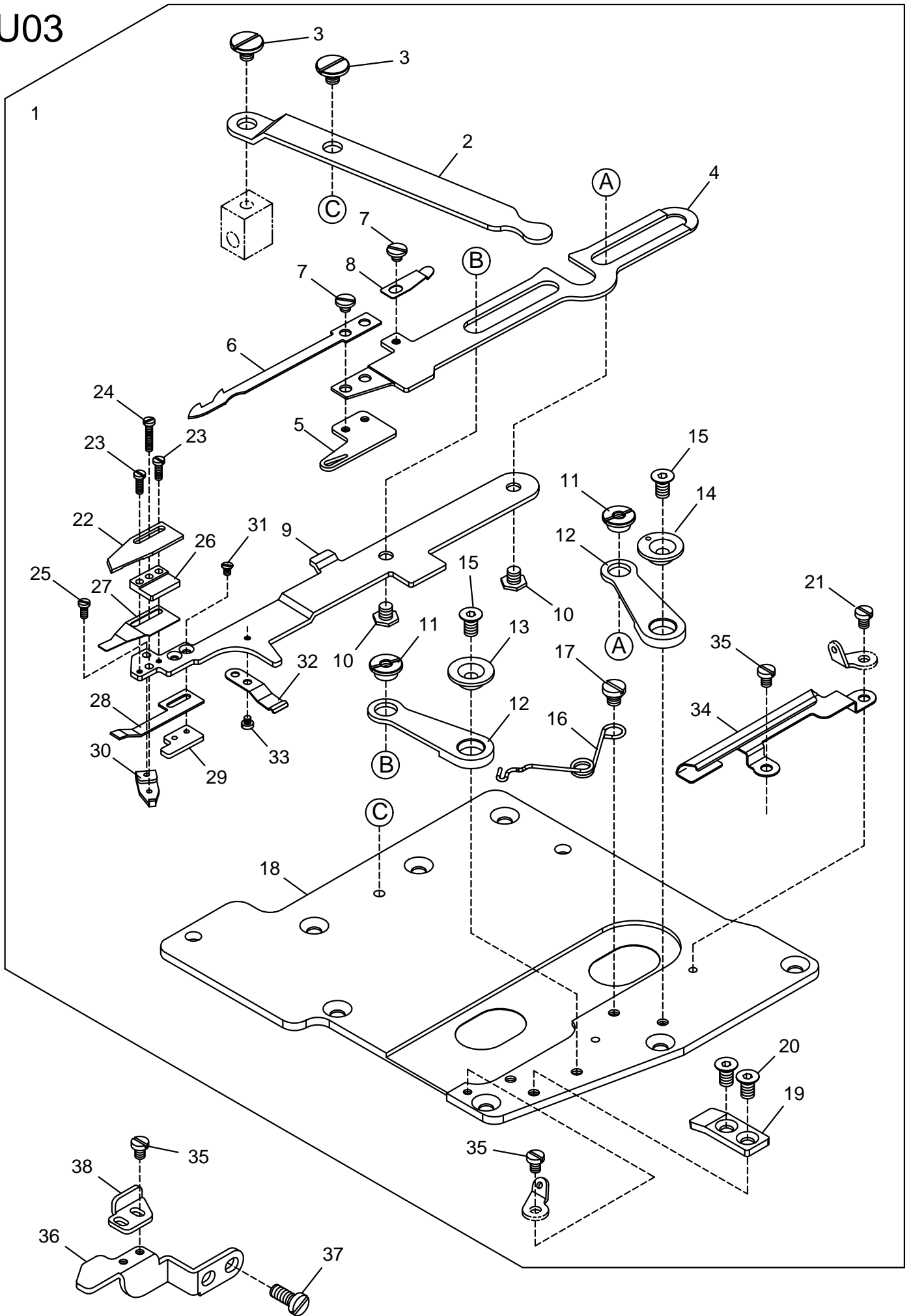
## UNDER THREAD TRIMMER (PNEUMATIC TYPE)

## 氣壓式下切刀驅動機構

U02

Ref.No	Parts.No	Description	品名	Amt.Req.
1	U13017	Switch Guide	安全開關導片	1
2	C04052	Washer	墊片	2
3	C04049	Screw (M3-0.5x6.5)	螺絲	2
4	U02204	Tension Release Connecting Plate	鬆線連結板	1
5	C02017	Screw (M4-0.7x8)	螺絲	2
6	C08052	Screw(M4-0.7x4)	螺絲	1
7	U02007	Tension Release Block	鬆線滑塊	1
8	C08047	Screw(M6-1x12)	螺絲	3
9	U02009	Collar	軸環	1
10	A08038	Screw (11/64-40x13)	螺絲	1
11	U02011	Anti-shock Rubber	緩衝墊片	1
12	U02012	Air Cylinder	氣缸	1
13	U02113	Switch Holder	安全開關固定架	1
14	U13014	Switch	安全開關	1
15	C03030	Washer	墊片	2
16	U01021	Screw (M4-0.7x5)	螺絲	2
17	U02017	Washer	墊片	1
18	U02018	Air Cylinder Bracket	氣缸固定架	1
19	U02019	Elbow Connector (Ø4-PT1/8)	快速接頭	2
20	U02020	Solenoid Return Spring	復進彈簧	1
21	U02021	Plunger	柱塞	1
22	U13030	Screw Pin (M5-0.8x6)	螺絲	1
23	U13031	Connecting Block(Right) Support Spring	彈簧	1
24	U13032	Connecting Block(Right)	連結塊(右)	1
25	C08048	Nut	螺帽	3
26	U13034	Connecting Rod (M5-0.8x40)	螺絲	1
27	U13035	Connecting Block(Left)	連結塊(左)	1
28	U05006	Nut	螺帽	2

U03



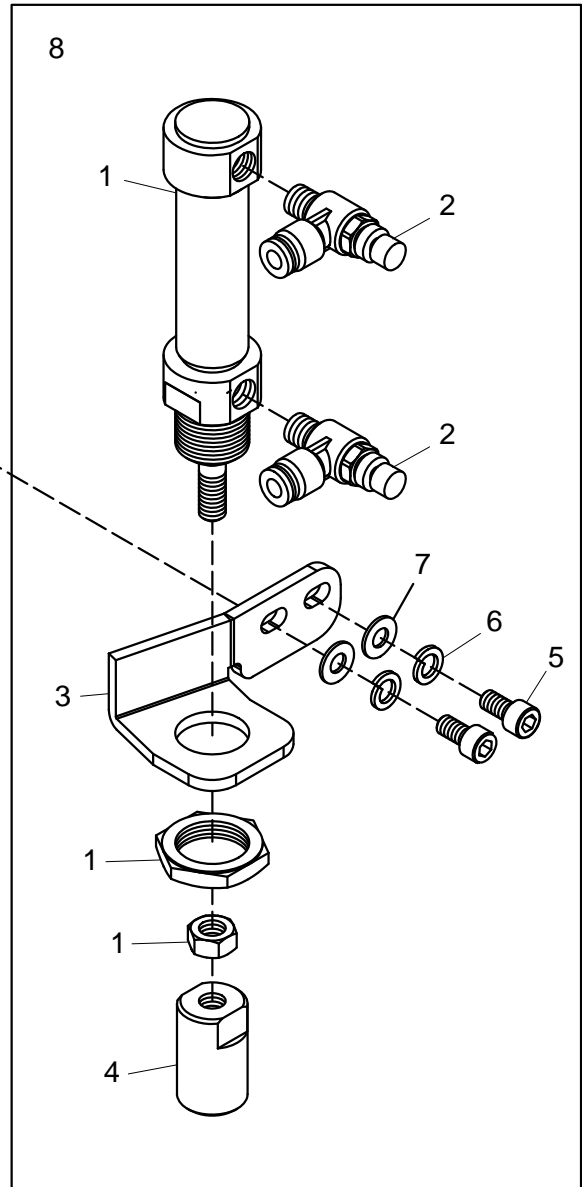
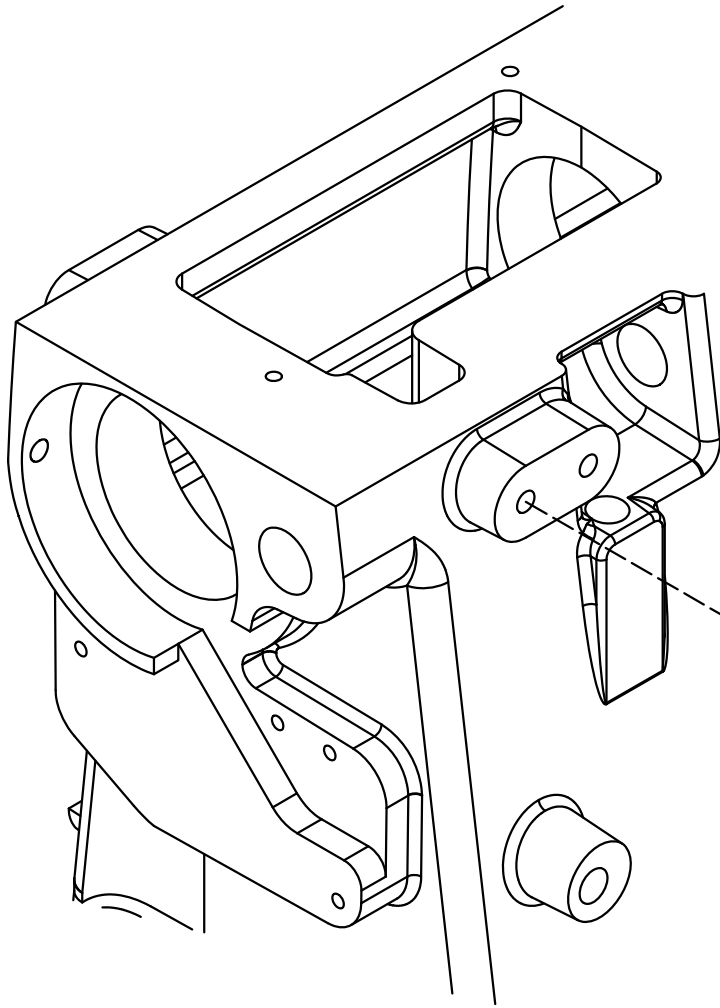
## UNDER THREAD TRIMMER

## 下切刀驅動機構

U03

Ref.No	Parts.No	Description	品名	Amt.Req.
1	U03001	Trimming Machanism, C. Set	切刀盤組	1
2	U03002	Lower Knife Driving Lever	下切刀驅動桿	1
3	U03003	Screw (M4-0.7x6)	螺絲	2
4	U03004	Lower Knife Carrier	下切刀活動托架	1
5	U03005	Looper Thread Pull-off	鬆線板	1
6	U03006	Lower Knife	下切活動刀	1
7	U03007	Screw (M3-0.5x2.6)	螺絲	3
8	U03008	Supplementary Spring	定位彈片	1
9	U03009	Upper Knife Carrier	下切刀固定托架	1
10	U03010	Screw (M4-0.7x4)	螺絲	2
11	U03011	Nut	螺帽	2
12	U03012	Knife Guide Lever	下切刀槓桿	2
13	U03013	Knife Guide Lever Ring(Left)	下切刀槓桿套環(左)	1
14	U03014	Knife Guide Lever Ring(Right)	下切刀槓桿套環(右)	1
15	U03015	Screw (M4-0.7x7)	螺絲	2
16	U03016	Upper Knife Carrier Spring	下切刀固定托架彈簧	1
17	U03017	Screw (M4-0.7x2.5)	螺絲	1
18	U03018	Crank Chamber Cover	曲軸室蓋	1
19	U03019	Upper Knife Carrier Stopper	下切刀托架擋板	1
20	U03020	Screw (M4-0.7x6)	螺絲	2
21	U13018	Screw (M3-0.5x5)	螺絲	1
22	U03022	Upper Knife	下切固定刀	1
23	U03023	Screw (M2-0.4x6)	螺絲	2
24	U03024	Screw (M2-0.4x10)	螺絲	1
25	U03025	Screw (M2-0.4x3.5)	螺絲	1
26	U03026	Upper Knife Guide	下切刀導塊	1
27	U03027	Clamp Spring	彈簧夾片	1
28	U03028	Clamp Spring Pressure	彈簧夾片壓板	1
29	U03029	Clamp Spring Pressure Holder	彈簧夾片擋塊	1
30	U03030	Clamp Spring Pressure Adjusting Piece	彈簧夾片調節板	1
31	U03031	Screw (M2-0.4x3)	螺絲	2
32	U03032	Lower Knife Carrier Support Spring	下切刀托架支撐彈片	1
33	U03033	Screw (M2-0.4x2)	螺絲	2
34	U03034	Thread Guide	護線板	1
35	C02049	Screw(M3-0.5x3.5)	螺絲	4
36	U03036	Lower Knife Carrier Guide	下切刀托架導板	1
37	C02017	Screw (M4-0.7x8)	螺絲	2
38	U03038	Lower Knife Carrier Stopper	下切刀托架擋板	1

U04





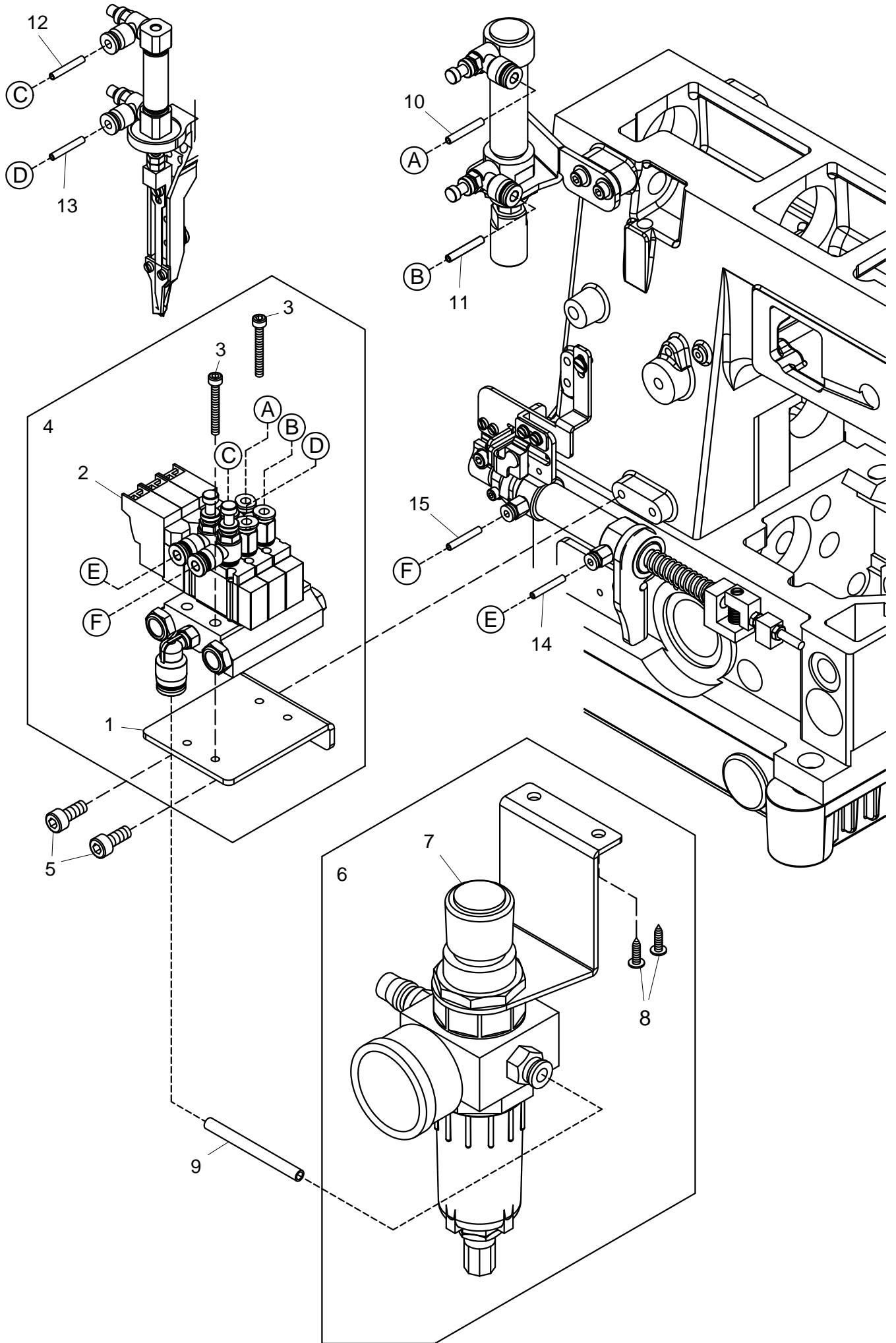
**PRESSER FOOT LIFTER (PNEUMATIC TYPE)**

氣壓式抬壓腳

U04

Ref.No	Parts.No	Description	品名	Amt.Req.
1	U04001	Air Cylinder	氣缸	1
2	U04102	Elbow Connector (Ø6-PT1/8)	快速接頭	2
3	U04103	Air Cylinder Bracket	氣缸固定架	1
4	U04004	Plastic Pushing Block	塑膠推塊	1
5	B1313	Screw (M6-1x16)	螺絲	2
6	B1435	Spring Washer	彈簧墊片	2
7	B2522	Washer	墊片	2
8	U04108	Air Cylinder, C. Set	抬壓腳氣缸組	1

# U05



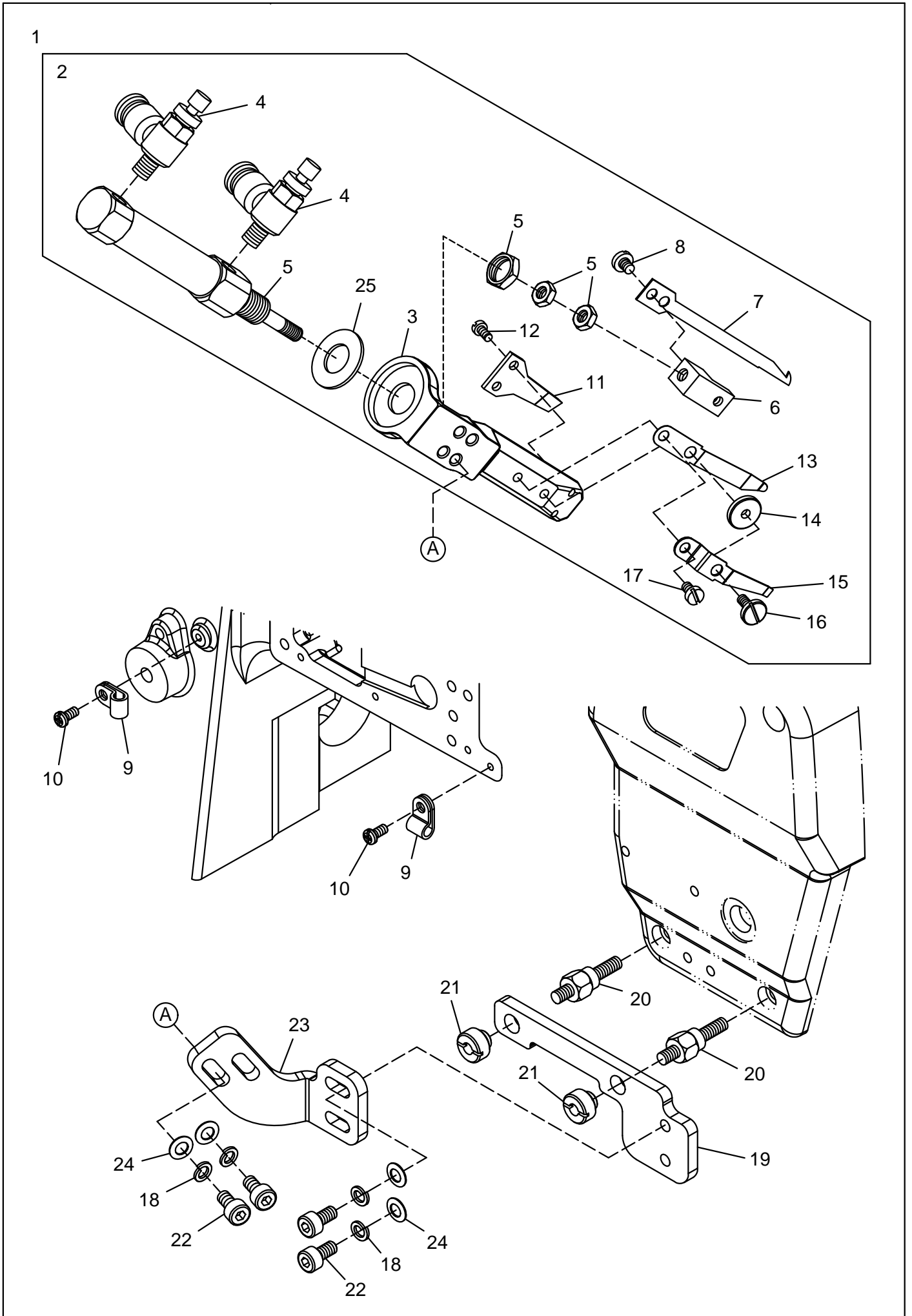
## AIR ASSEMBLY LINE

## 氣動切線裝置線路圖

U05

Ref.No	Parts.No	Description	品名	Amt.Req.
1	U05101	Solenoid Valve Support	電磁閥架	1
2	U05102	Solenoid Valve	電磁閥	1
3	U05103	Screw (M3-0.5x45)	螺絲	4
4	U05104	Solenoid Valve, C. Set	電磁閥組	1
5	C08042	Screw(M6-1x10)	螺絲	2
6	B22213	Filter Regulator, C. Set	調壓過濾器組	1
7	B22214	Filter Regulator	調壓過濾器	1
8	B22215	Wood Screw	螺絲	2
9	U05109	Air Tube (4x6x500mm)	PU管	1
10	U05110	Air Tube (2.5x4x250mm)	PU管	1
11	U05111	Air Tube (2.5x4x200mm)	PU管	1
12	U05212	Air Tube (2.5x4x600mm)	PU管	1
13	U05213	Air Tube (2.5x4x550mm)	PU管	1
14	U05114	Air Tube (2.5x4x150mm)	PU管	1
15	U05115	Air Tube (2.5x4x210mm)	PU管	1

# U06



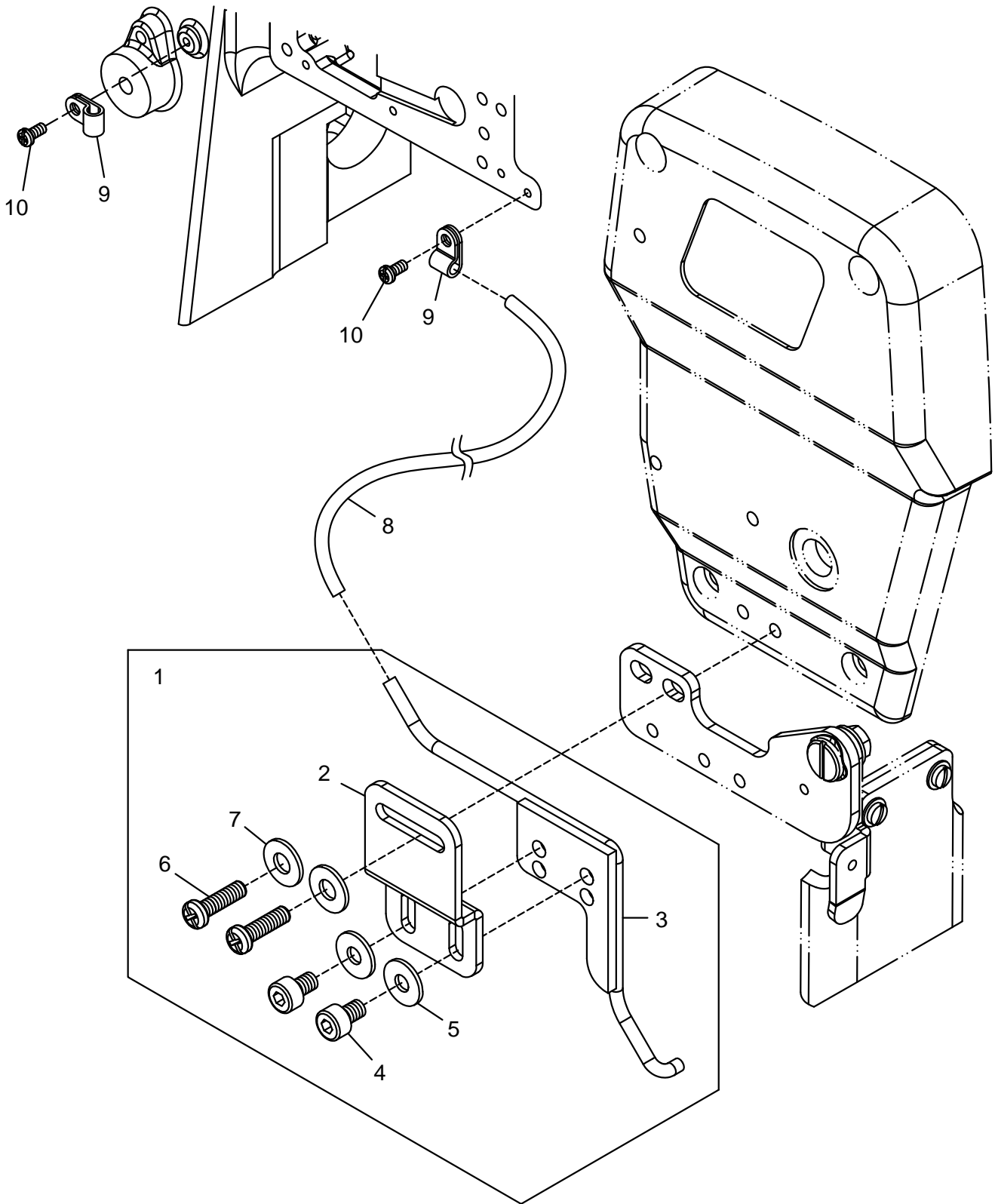
## TOP THREAD TRIMMER (PNEUMATIC TYPE)

## 氣壓式上切刀機構

U06

Ref.No	Parts.No	Description	品名	Amt.Req.
1	U06201	ST2-A Device, C. Set	氣動式上切刀組	1
2	U06002	Trimming Device, Complete Set	切刀組	1
3	U06103	Knife Guide Bracket	切刀導架	1
4	U06004	Fitting (FJSC 4-M5)	可調式快速接頭	2
5	U06205	Air Cylinder	氣缸	1
6	U09006	Movable Trimming Knife Holder	活動刀台	1
7	U09007	Movable Trimming Knife	活動刀	1
8	U09008	Screw (1/8-40x3)	螺絲	1
9	U06009	Cord Clamp	配線固定鈕	2
10	C01025	Screw (M4-0.7x8)	螺絲	2
11	U09011	Fixed Trimming Knife	固定刀	1
12	U09012	Screw (M2.5-0.45x5.2)	螺絲	2
13	U09013	Thread Clamp	夾線片	1
14	U09014	Nut	螺帽	1
15	U09015	Thread Clamp Spring	夾線彈片	1
16	U09016	Adjusting Screw (M3-0.5x6)	調節螺絲	1
17	U13018	Screw (M3-0.5x5)	螺絲	1
18	B29041	Spring Washer	彈簧墊片	4
19	U09119	Positioning Plate (Upper)	固定板(上)	1
20	U09020	Fixed Screw	固定螺絲	2
21	U09021	Nut	螺帽	2
22	U09022	Screw (M4-0.7x8)	螺絲	4
23	U09123	Positioning Plate (Lower)	固定板(下)	1
24	U09024	Washer	墊片	4
25	B15127	Washer	墊片	1

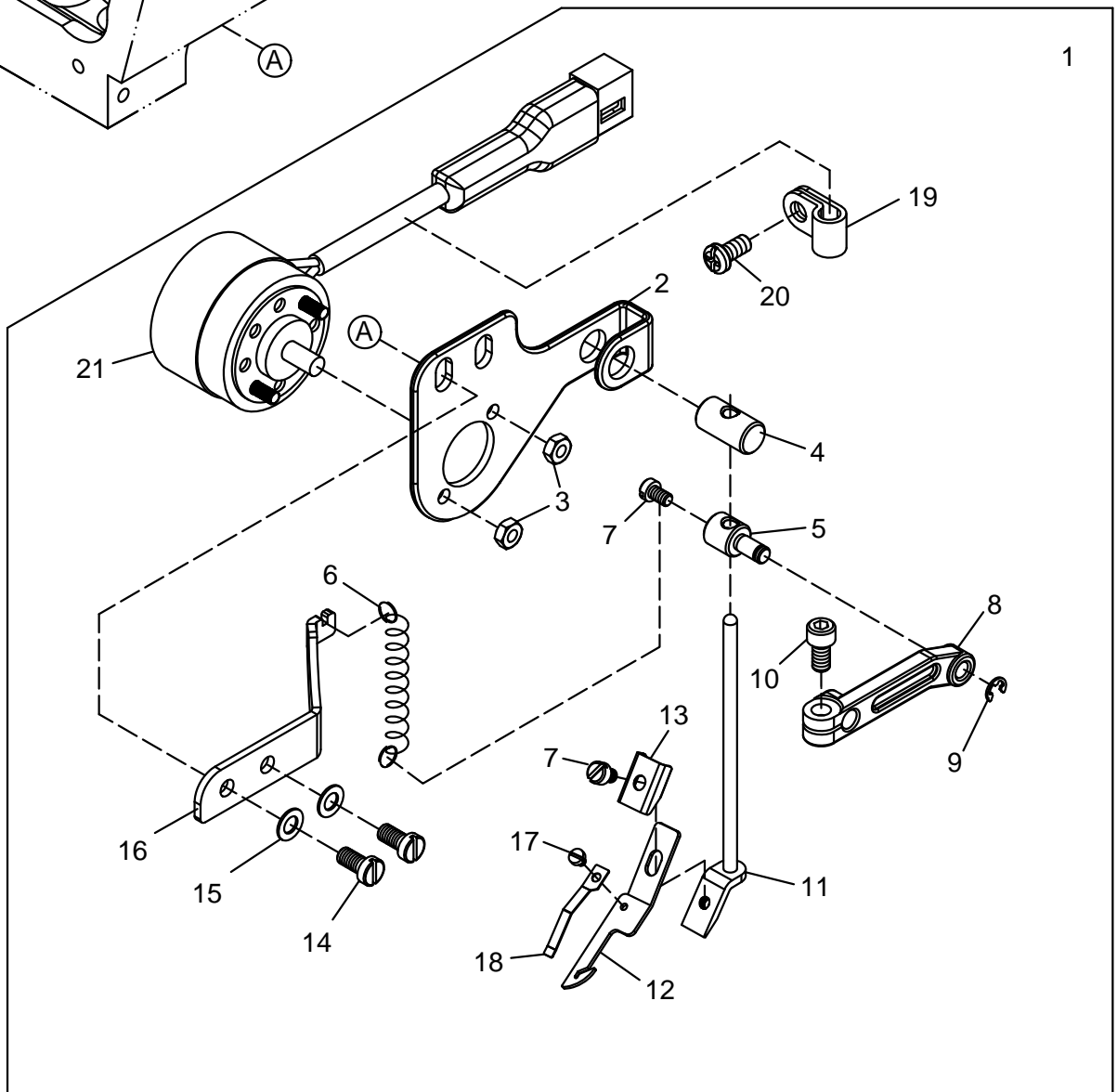
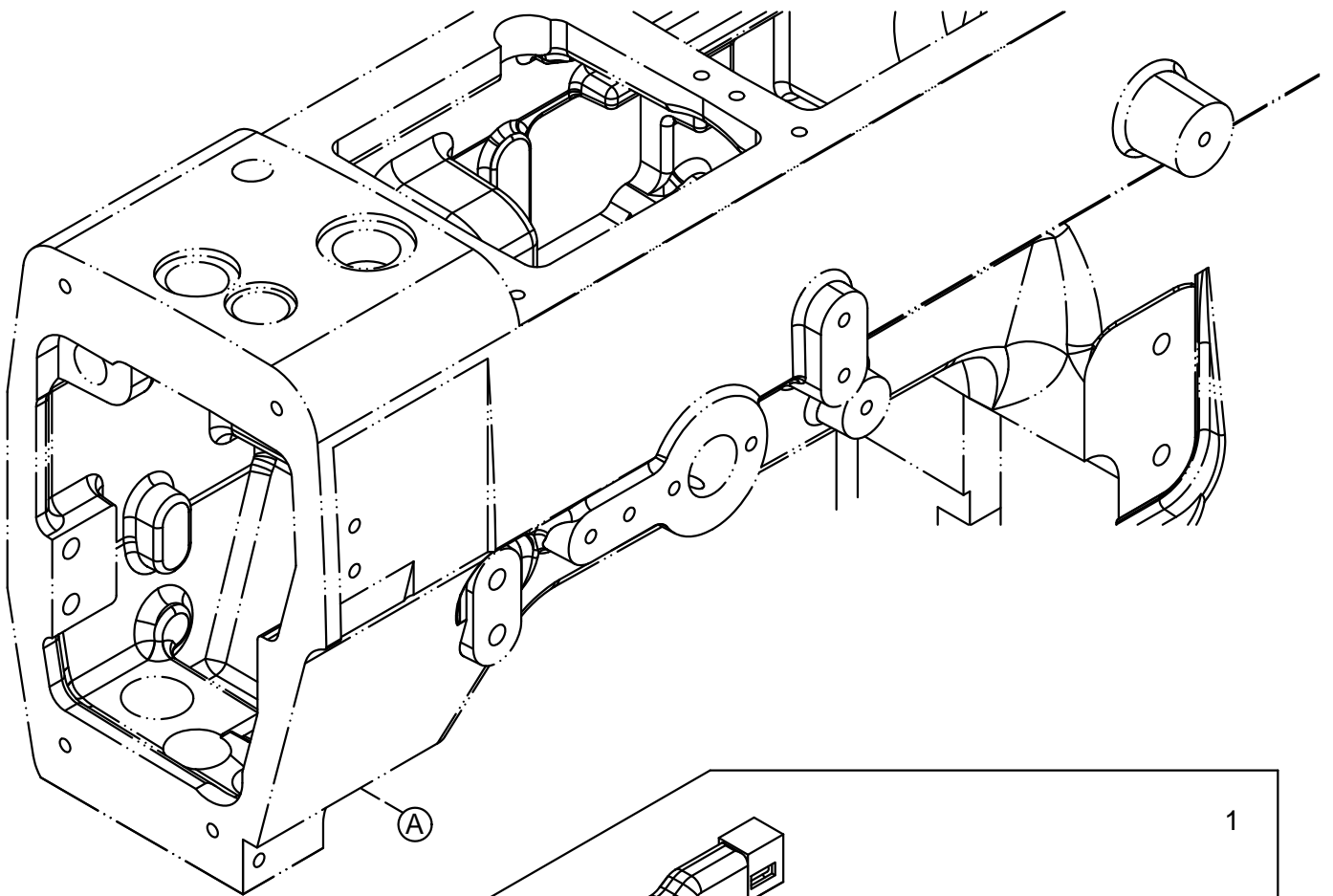
U07



**UNDER THREAD WIPER (PNEUMATIC TYPE)****氣壓式上吹線機構****U07**

<b>Ref.No</b>	<b>Parts.No</b>	<b>Description</b>	<b>品名</b>	<b>Amt.Req.</b>
1	U07001	Air Wiper, C. Set	上吹線組	1
2	U07002	Air Wiper Support	上吹線管支架	1
3	U07003	Air Wiper	上吹線管	1
4	C03041	Screw (M4-0.7x6)	螺絲	2
5	B29020	Washer	墊片	2
6	C01011	Screw (M4-0.7x10)	螺絲	2
7	C03030	Washer	墊片	2
8	U05020	Air Tube (4x2.5x600mm)	PU管	1
9	U13019	Cord Clamp	配線固定鈕	2
10	C01025	Screw (M4-0.7x8)	螺絲	2

U08





**UNDER THREAD WIPER (ELECTRIC TYPE)**

**電磁式上撥線機構**

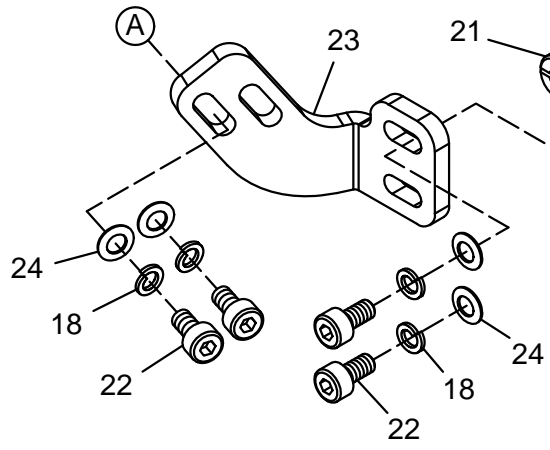
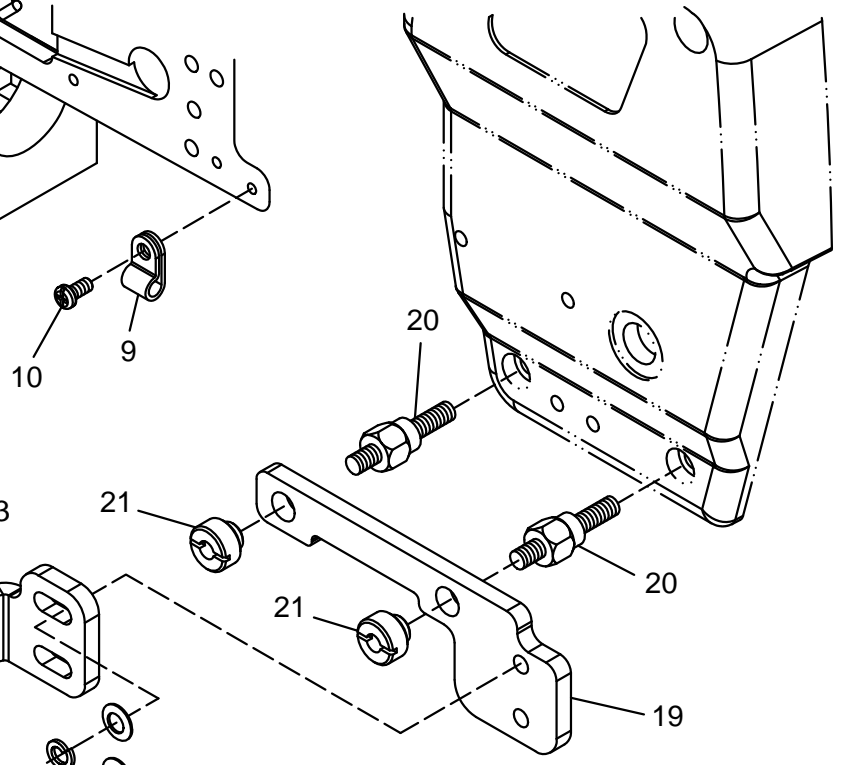
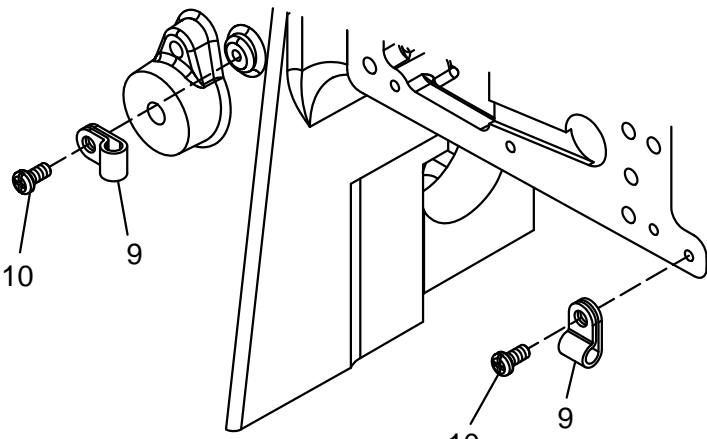
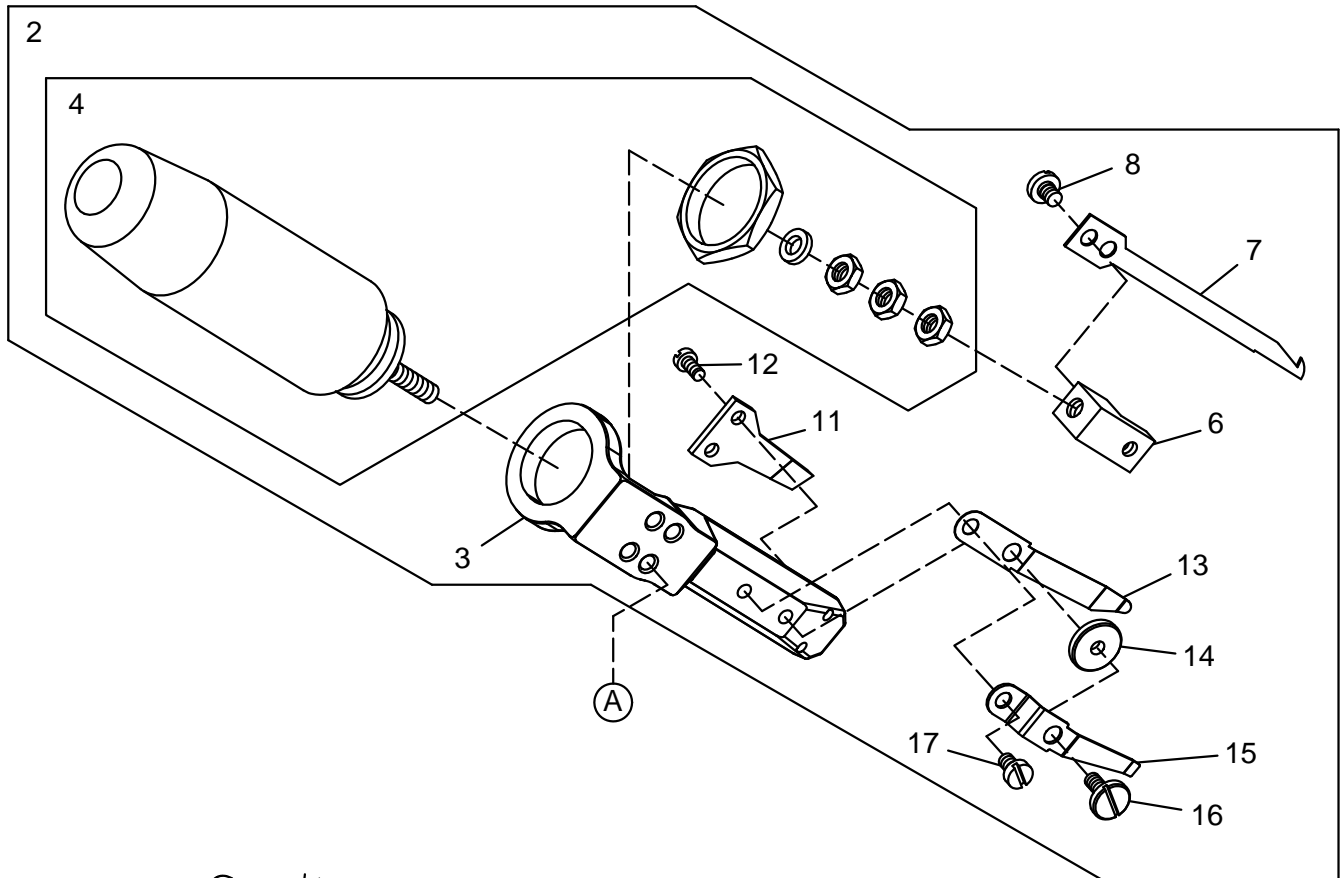
**U08**

<b>Ref.No</b>	<b>Parts.No</b>	<b>Description</b>	<b>品名</b>	<b>Amt.Req.</b>
1	U08101	Wiper Solenoid	撥線組	1
2	U08002	Solenoid Bracket	撥線電磁鐵托架	1
3	U05006	Nut	螺帽	2
4	U08104	Wiper Bar Guide	撥線搖臂導塊	1
5	U08005	Solenoid Lever Pin	電磁鐵搖臂插銷	1
6	U08006	Buffer Spring	緩衝彈簧	1
7	U13018	Screw (M3-0.5x5)	螺絲	2
8	U08108	Solenoid Lever	電磁鐵搖臂	1
9	C11044	Retaining Ring	固定環	1
10	U09022	Screw (M4-0.7x8)	螺絲	1
11	U08011	Wiper Bar	撥線搖臂	1
12	U08112	Wiper	撥線鉤	1
13	U08113	Wiper Holder	撥線鉤固定座	1
14	C02017	Screw (M4-0.7x8)	螺絲	2
15	C03030	Washer	墊片	2
16	U08116	Buffer Spring Bracket	緩衝彈簧吊架	1
17	U03033	Screw (M2-0.4x2)	螺絲	1
18	U08018	Clamp Spring	夾線彈簧片	1
19	U13019	Cord Clamp	配線固定鈕	2
20	C01025	Screw (M4-0.7x8)	螺絲	2
21	U08121	Wiper Solenoid	撥線電磁鐵	1

1

2

4



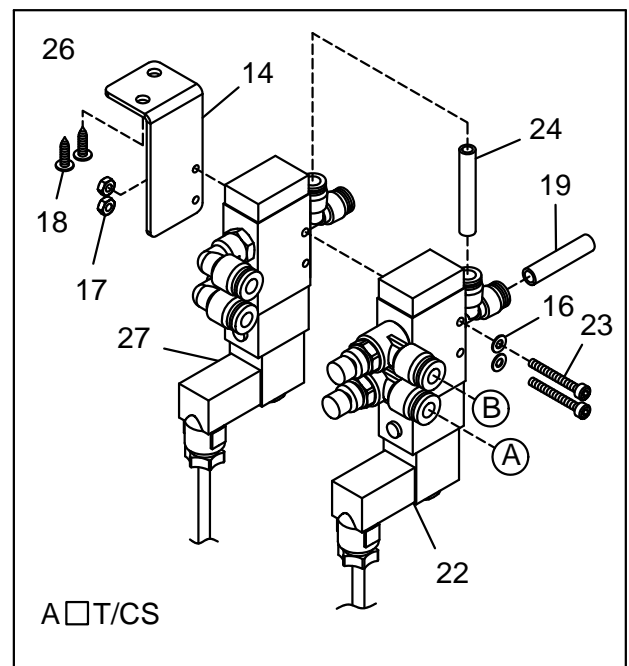
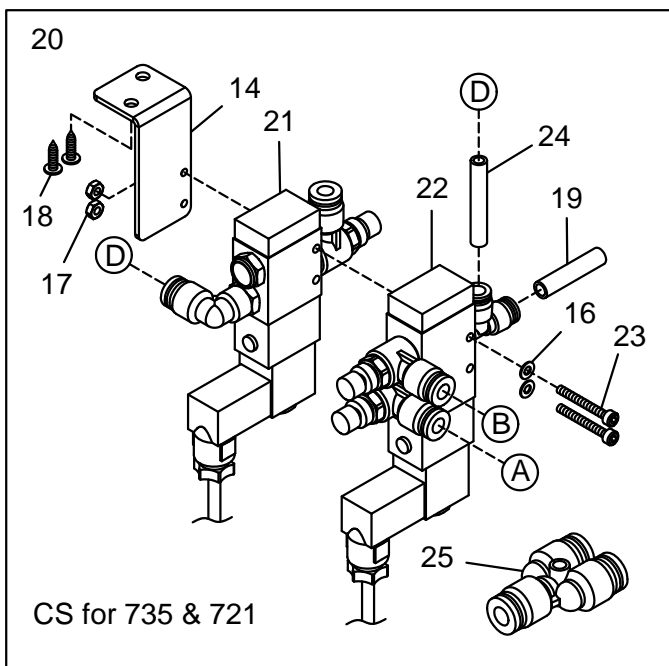
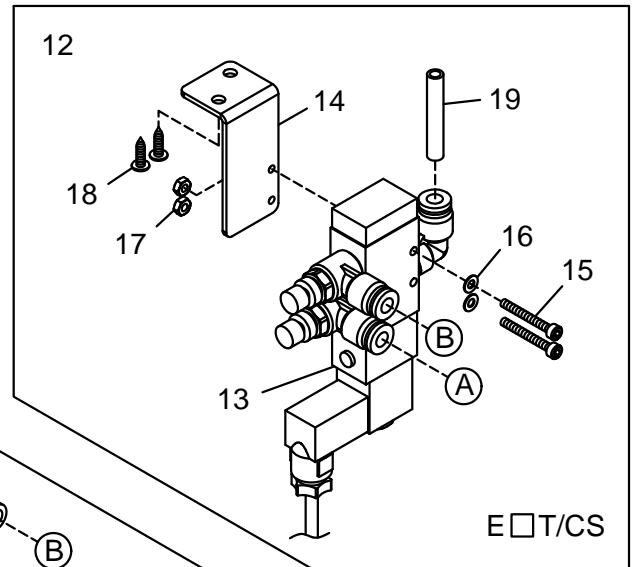
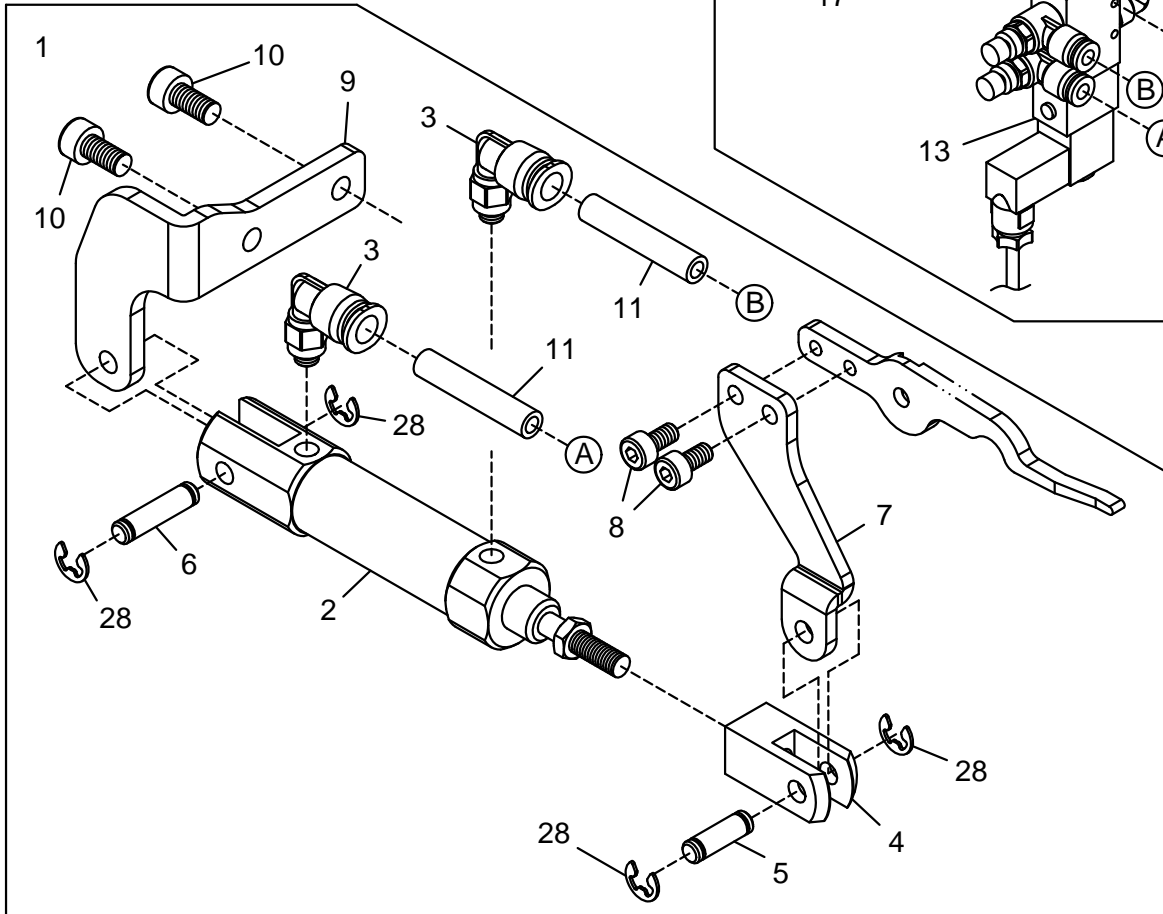
## TOP THREAD TRIMMER (ELECTRIC TYPE)

## 電磁式上切刀機構

U09

Ref.No	Parts.No	Description	品名	Amt.Req.
1	U09001	ST2-E Device, C. Set	電動式上切刀組	1
2	U09002	Trimming Device, Complete Set	切刀組	1
3	U09003	Knife Guide Bracket	切刀導架	1
4	U09004	Solenoid, C. Set	電磁鐵組	1
5				
6	U09006	Movable Trimming Knife Holder	活動刀台	1
7	U09007	Movable Trimming Knife	活動刀	1
8	U09008	Screw (1/8-40x3)	螺絲	1
9	U13019	Cord Clamp	配線固定鈕	2
10	C01025	Screw (M4-0.7x8)	螺絲	2
11	U09011	Fixed Trimming Knife	固定刀	1
12	U09012	Screw (M2.5-0.45x5.2)	螺絲	2
13	U09013	Thread Clamp	夾線片	1
14	U09014	Nut	螺帽	1
15	U09015	Thread Clamp Spring	夾線彈片	1
16	U09016	Adjusting Screw (M3-0.5x6)	調節螺絲	1
17	U13018	Screw (M3-0.5x5)	螺絲	1
18	B29041	Spring Washer	彈簧墊片	4
19	U09119	Positioning Plate (Upper)	固定板(上)	1
20	U09020	Fixed Screw	固定螺絲	2
21	U09021	Nut	螺帽	2
22	U09022	Screw (M4-0.7x8)	螺絲	4
23	U09123	Positioning Plate (Lower)	固定板(下)	1
24	U09024	Washer	墊片	4

# U10



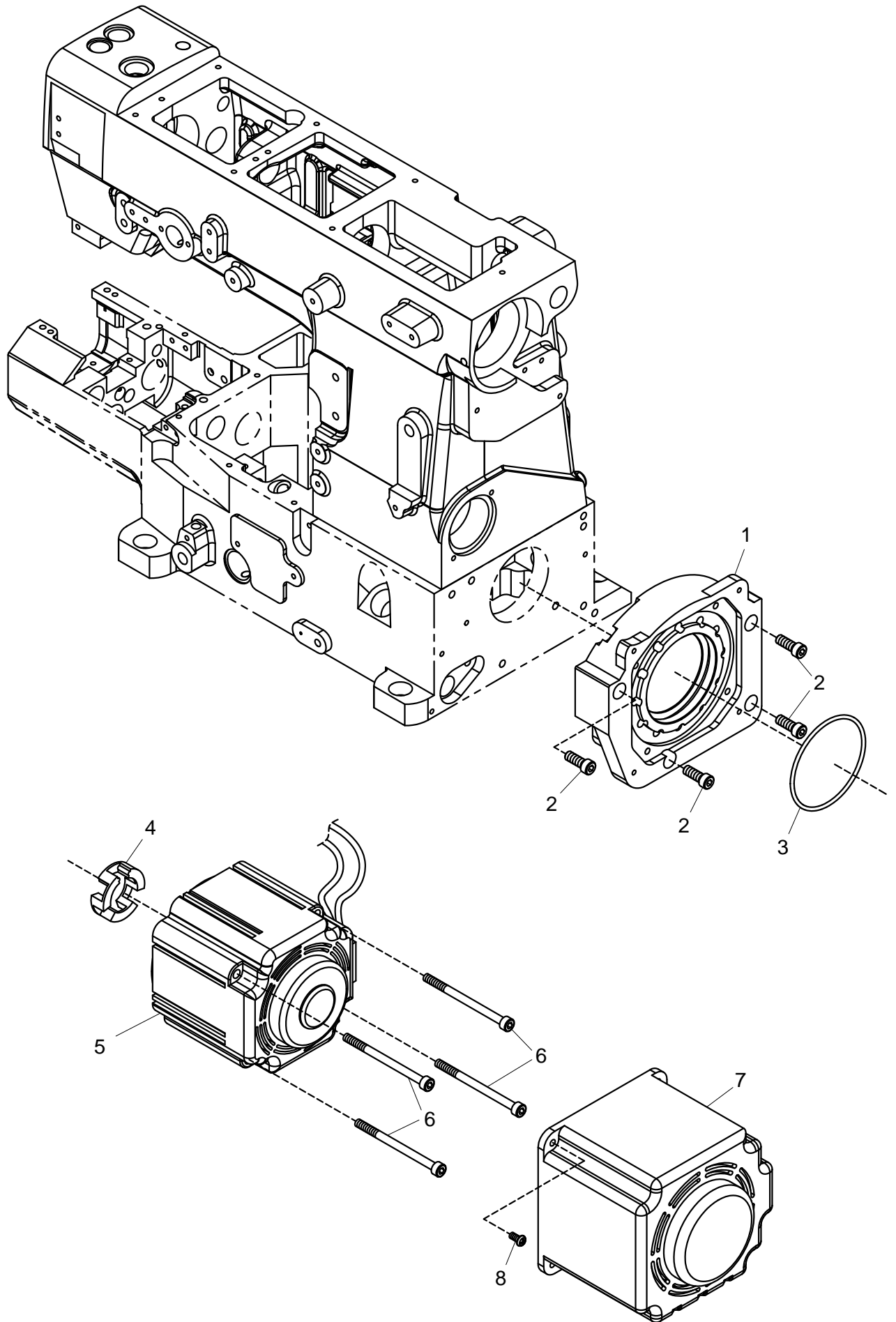
## CS DEVICE

## 密縫裝置

## U10

Ref.No	Parts.No	Description	品名	Amt.Req.
1	U10001	"CS" Device, C. Set	"CS"裝置	1
2	U10002	Air Cylinder	氣缸	1
3	B23106	Air Tube Joint	快速接頭	2
4	U10004	"Y" Joint	Y接頭	1
5	U10005	Pin	銷	1
6	U10006	Pin	銷	1
7	U10007	Condense Feed Lever	密縫進給連桿	1
8	U09022	Screw (M4-0.7x8)	螺絲	2
9	U10009	Air Cylinder Holder	氣缸固定架	1
10	C06043	Screw (M5-0.8x10)	螺絲	2
11	U10011	Air Tube (4x2.5x600mm)	PU管	2
12	U10012	Solenoid Valve, C. Set	電磁閥組	1
13	U10013	Solenoid Valve	電磁閥	1
14	U05012	Solenoid Valve Support	電磁閥架	1
15	U05014	Screw (M3-0.5x25)	螺絲	2
16	C04052	Washer	墊片	2
17	U05006	Nut	螺帽	2
18	B17015	Wood Screw	螺絲	2
19	B22125	Air Tube (4x6x200mm)	PU管	1
20	U10020	Solenoid Valve, C. Set	電磁閥組	1
21	B17213	Solenoid Valve, C. Set	電磁閥組	1
22	U10022	Solenoid Valve, C. Set	電磁閥組	1
23	U05004	Screw (M3-0.5x45)	螺絲	2
24	B22123	Air Tube (4x6x250mm)	PU管	1
25	U05010	Fitting (FPY 6)	三通接頭	1
26	U10026	Solenoid Valve, C. Set	電磁閥組	1
27	U05113	Solenoid Valve	電磁閥	1
28	U10028	E-Type Retaining Rings	E型扣環	4

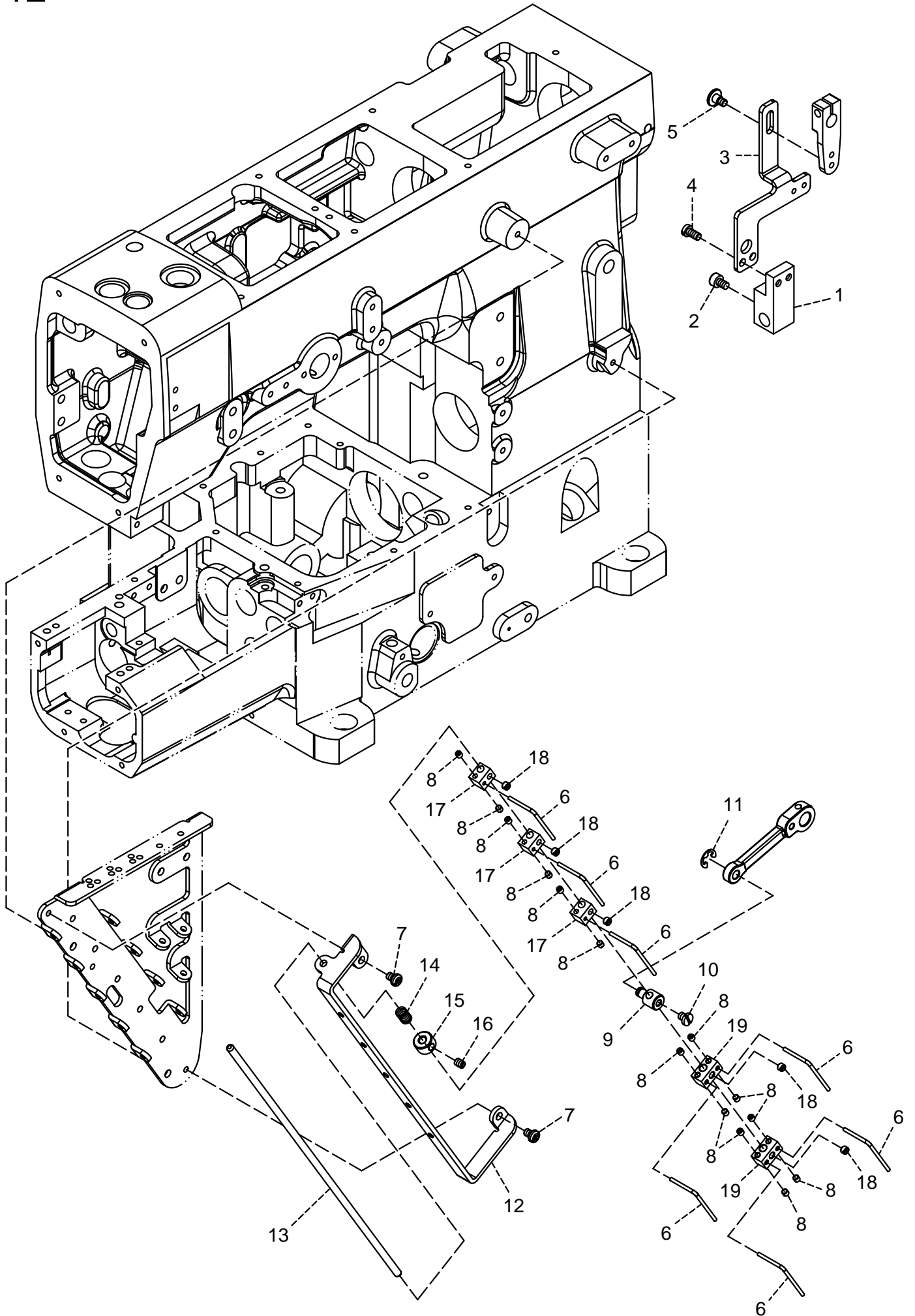
U11



**SERVO MOTOR****伺服馬達****U11**

<b>Ref.No</b>	<b>Parts.No</b>	<b>Description</b>	<b>品 名</b>	<b>Amt.Req.</b>
1	U11001	Moter Support	馬達座	1
2	C06040	Screw(M6-1x16)	螺絲	4
3	U11003	O-ring	O型環	1
4	U11004	Coupling	聯軸器	1
5	U11005	Servo Moter	伺服馬達	1
6	U11006	Screw (M5-0.8x70)	螺絲	4
7	U11007	Moter Cover	馬達蓋	1
8	U11008	Screw (M4-0.7x8)	螺絲	4

# U12





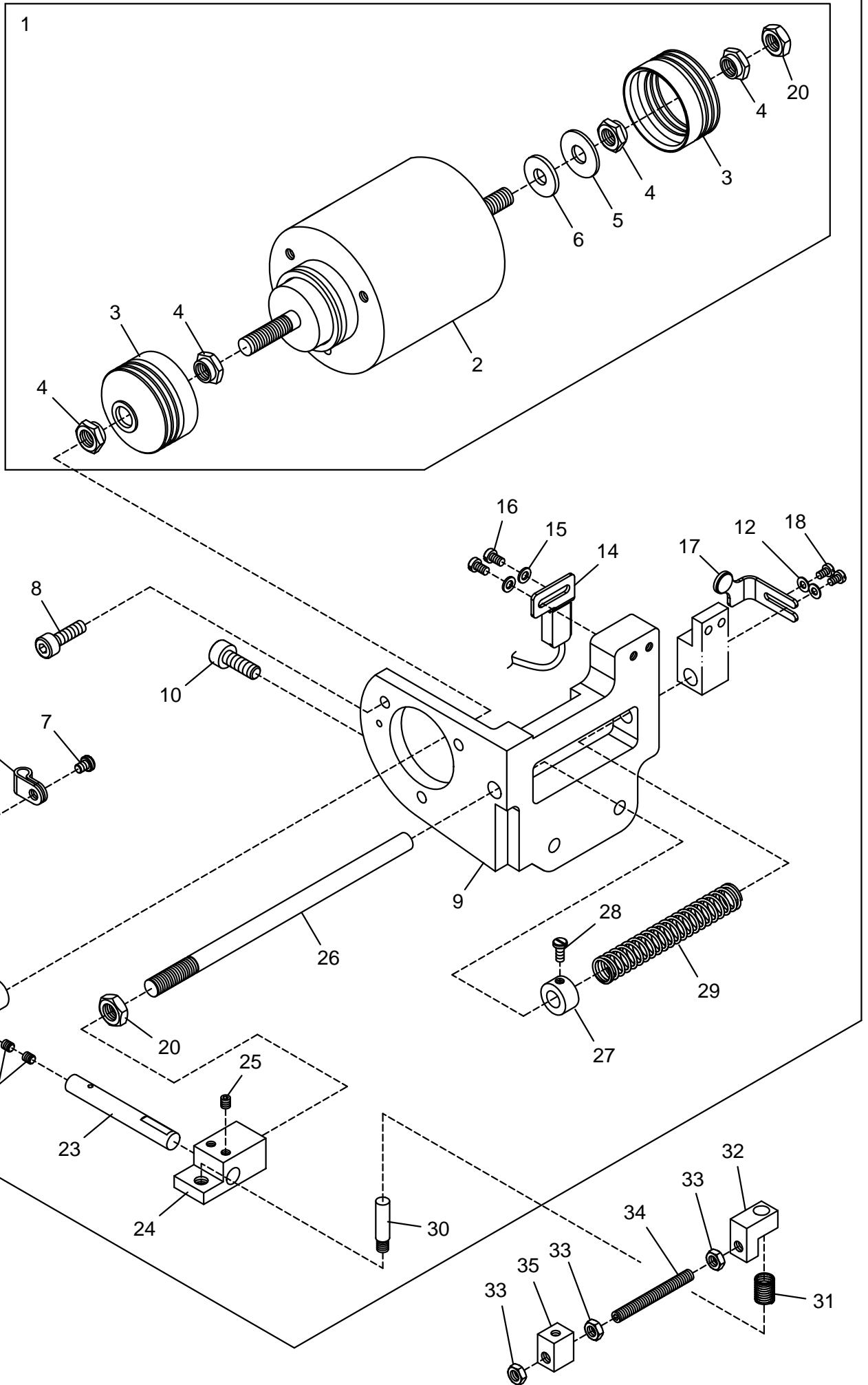
AUTO TRIMMER THREAD PULL-OFF MECHANISM (ELECTRIC TYPE) 電磁式自動切線鬆線機構

U12

Ref.No	Parts.No	Description	品名	Amt.Req.
1	U12027	Tension Release Block	鬆線滑塊	1
2	C03041	Screw (M4-0.7x6)	螺絲	1
3	U12029	Tension Release Connecting Plate	鬆線連結板	1
4	C02017	Screw (M4-0.7x8)	螺絲	2
5	C08052	Screw(M4-0.7x4)	螺絲	1
6	U01025	Thread Pull-off Bar	鬆線鉤	7
7	C02044	Screw (M4-0.7x5)	螺絲	2
8	U01026	Screw (1/8-44x3)	螺絲	14
9	U01020	Thread Pull-off Bar Holder	鬆線桿固定座	1
10	U01021	Screw (M4-0.7x5)	螺絲	1
11	U01022	Retaining Ring	E型扣環	1
12	U01012	Thread Pull-off Eyelet	鬆線過線架	1
13	U01013	Thread Pull-off Bar	鬆線控制桿	1
14	U01014	Swing-proof Spring	彈簧	1
15	U01015	Collar	軸環	1
16	C02026	Screw (M4-0.7x4)	螺絲	1
17	U01017	Thread Pull-off Hook	鬆線鉤固定座	3
18	U01018	Screw (M4-0.7x3)	螺絲	5
19	U01019	Thread Pull-off Hook	鬆線鉤固定座	2

# U13

36



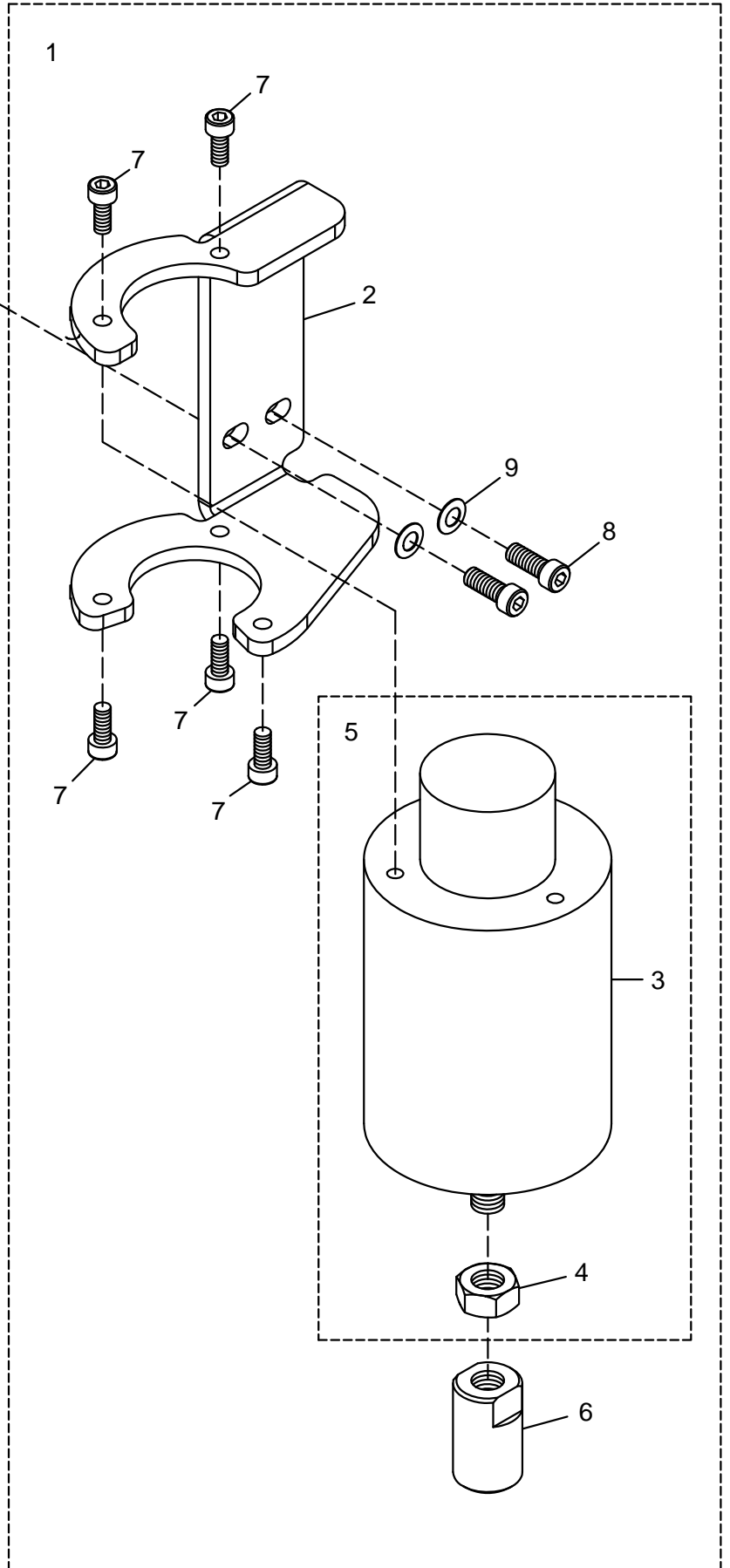
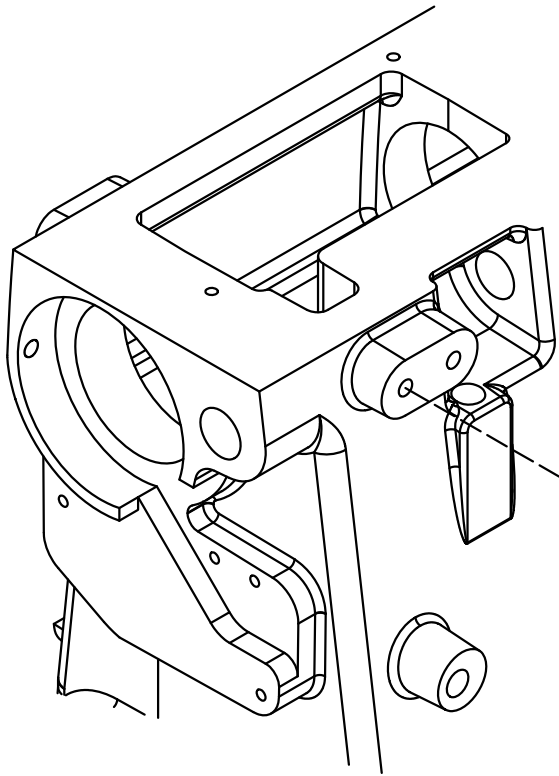
## UNDER THREAD TRIMMER (ELECTRIC TYPE)

## 電磁式下切刀驅動機構

U13

Ref.No	Parts.No	Description	品名	Amt.Req.
1	U13001	Trimming Solenoid, Complete Set	電磁鐵組	1
2	U13002	Trimming Solenoid	電磁鐵	1
3	U13003	Solenoid Dust-proof Cover	防塵蓋	2
4	U13004	Nut	螺帽	4
5	U13005	Washer	墊片	1
6	U13006	Anti-shock Rubber	避震墊	1
7	C02044	Screw (M4-0.7x5)	螺絲	1
8	C08036	Screw(M5-0.8x14)	螺絲	3
9	U13009	Trimming Solenoid Support	電磁鐵座	1
10	C06040	Screw(M6-1x16)	螺絲	2
11				
12	C04052	Washer	墊片	2
13				
14	U13014	Switch	安全開關	1
15	U13015	Washer	墊片	2
16	U13016	Screw (M3.5-0.6x6)	螺絲	2
17	U13017	Switch Guide	安全開關導片	1
18	U13018	Screw (M3-0.5x5)	螺絲	2
19	U13019	Cord Clamp	配線固定鈕	1
20	U13020	Nut	螺帽	2
21	U13021	Plunger Connecting Rod	柱塞連桿	1
22	A05008	Packing Screw (11/64-40x5.8)	螺絲	1
23	U13023	Plunger Connecting Rod Pin	柱塞連結軸	1
24	U13024	Plunger	柱塞	1
25	A04003	Screw (M5-0.8x5)	螺絲	2
26	U13026	Solenoid Return Shaft	復進軸	1
27	U13027	Collar (8x16x8mm)	軸環	1
28	A08014	Screw (11/64-40x5.8)	螺絲	1
29	U13029	Solenoid Return Spring	復進彈簧	1
30	U13030	Screwed Pin (M5-0.8x6)	螺絲	1
31	U13031	Connecting Block(Right) Support Spring	彈簧	1
32	U13032	Connecting Block(Right)	連結塊(右)	1
33	C08048	Nut	螺帽	3
34	U13034	Connecting Rod (M5-0.8x40)	螺絲	1
35	U13035	Connecting Block(Left)	連結塊(左)	1
36	U13036	Under Thread Trimmer, C. Set	下切刀驅動組	1

# U14



**PRESSER FOOT LIFTER (ELECTRIC TYPE)**

電磁式抬壓腳

U14

Ref.No	Parts.No	Description	品名	Amt.Req.
1	U15001	Presser Foot Lifter, C. Set.	抬壓腳組	1
2	U15102	Solenoid Bracket	電磁鐵支架	1
3	U15003	Solenoid	電磁鐵	1
4	U15004	Nut	螺帽	1
5	U15005	Solenoid, C. Set	電磁鐵組	1
6	U15006	Plastic Pushing Block	塑膠推塊	1
7	C11014	Screw(M5-0.8x12)	螺絲	5
8	B1313	Screw (M6-1x16)	螺絲	2
9	B2522	Washer	墊片	2