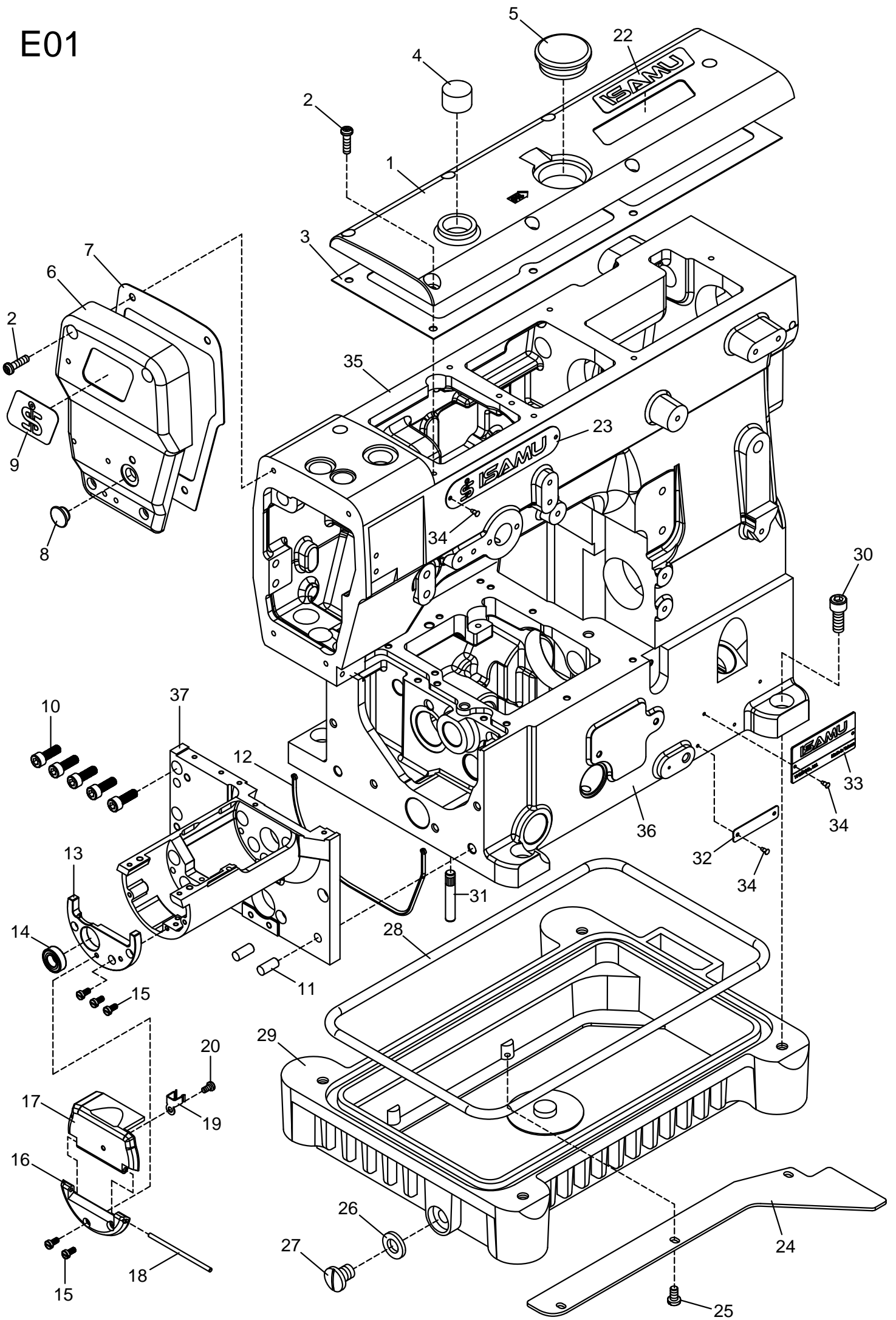


CONTENTS**目錄**

MISCELLANEOUS COVERS(1)	機殼機構 (1)	E01
MISCELLANEOUS COVERS (2)	機殼機構 (2)	E02
MISCELLANEOUS THREAD EYELETS	過線機構	E03
MISCELLANEOUS BUSHINGS & EYE GUARD	套管機構及護目鏡	E04
NEEDLE GUARD & MAIN SHAFT DRIVING MECHANISM	頂針片及下主軸機構組	E05
UPPER SHAFT & NEEDLE THREAD TAKE-UP MECHANISM	上主軸及針線提線機構	E06
NEEDLE BAR MECHANISM	針棒機構	E07
PRESSER FOOT MECHANISM	壓腳機構	E08
SPREADER MECHANISM	上飾線驅動機構	E09
LOOPER DRIVING MECHANISM	下勾針驅動機構	E10
FEED DRIVING CONTROL MECHANISM	送料具驅動控制機構	E11
FEED DRIVING MECHANISM	送料具驅動機構	E12
LUBRICATING MECHANISM	潤滑機構	E13
THREAD STAND	線架	E14
ACCESSORIES (1)	附件 (1)	E15
ACCESSORIES (2)	附件 (2)	E16
812 KNIFE DRIVING MECHANISM	812切刀驅動機構	E17
812 MISCELLANEOUS COVERS	812機殼機構	E18
812 ATTACHMENT FOR HEMMING & SEAM COVERING	812專用配件	E19
Puller Mechanism For P(1)	輔助拖輪機構(1)	E20
Puller Mechanism For P(2)	輔助拖輪機構(2)	E21
Puller Mechanism For P(3)	輔助拖輪機構(3)	E22
Puller Mechanism For P(4)	輔助拖輪機構(4)	E23
AUTO TRIMMER THREAD PULL-OFF MECHANISM (PNEUMATIC TYPE)	氣壓式自動切線鬆線機構	EU01
UNDER THREAD TRIMMER (PNEUMATIC TYPE)	氣壓式下切刀驅動機構	EU02
UNDER THREAD TRIMMER	下切刀驅動機構	EU03
PRESSER FOOT LIFTER (PNEUMATIC TYPE)	氣壓式抬壓腳	EU04
AIR ASSEMBLY LINE	氣動切線裝置線路圖	EU05
TOP THREAD TRIMMER (PNEUMATIC TYPE)	氣壓式上切刀機構	EU06
UNDER THREAD WIPER (PNEUMATIC TYPE)	氣壓式上吹線機構	EU07
UNDER THREAD WIPER (ELECTRIC TYPE)	電磁式上撥線機構	EU08
TOP THREAD TRIMMER (ELECTRIC TYPE)	電磁式上切刀機構	EU09
ES DEVICE	密縫裝置	EU10
SOVER MOTOR	伺服馬達	EU11
AUTO TRIMMER THREAD PULL-OFF MECHANISM (ELECTRIC TYPE)	電磁式自動切線鬆線機構	EU12
UNDER THREAD TRIMMER (ELECTRIC TYPE)	電磁式下切刀驅動機構	EU13
PRESSER FOOT LIFTER (ELECTRIC TYPE)	電磁式抬壓腳	EU14

E01



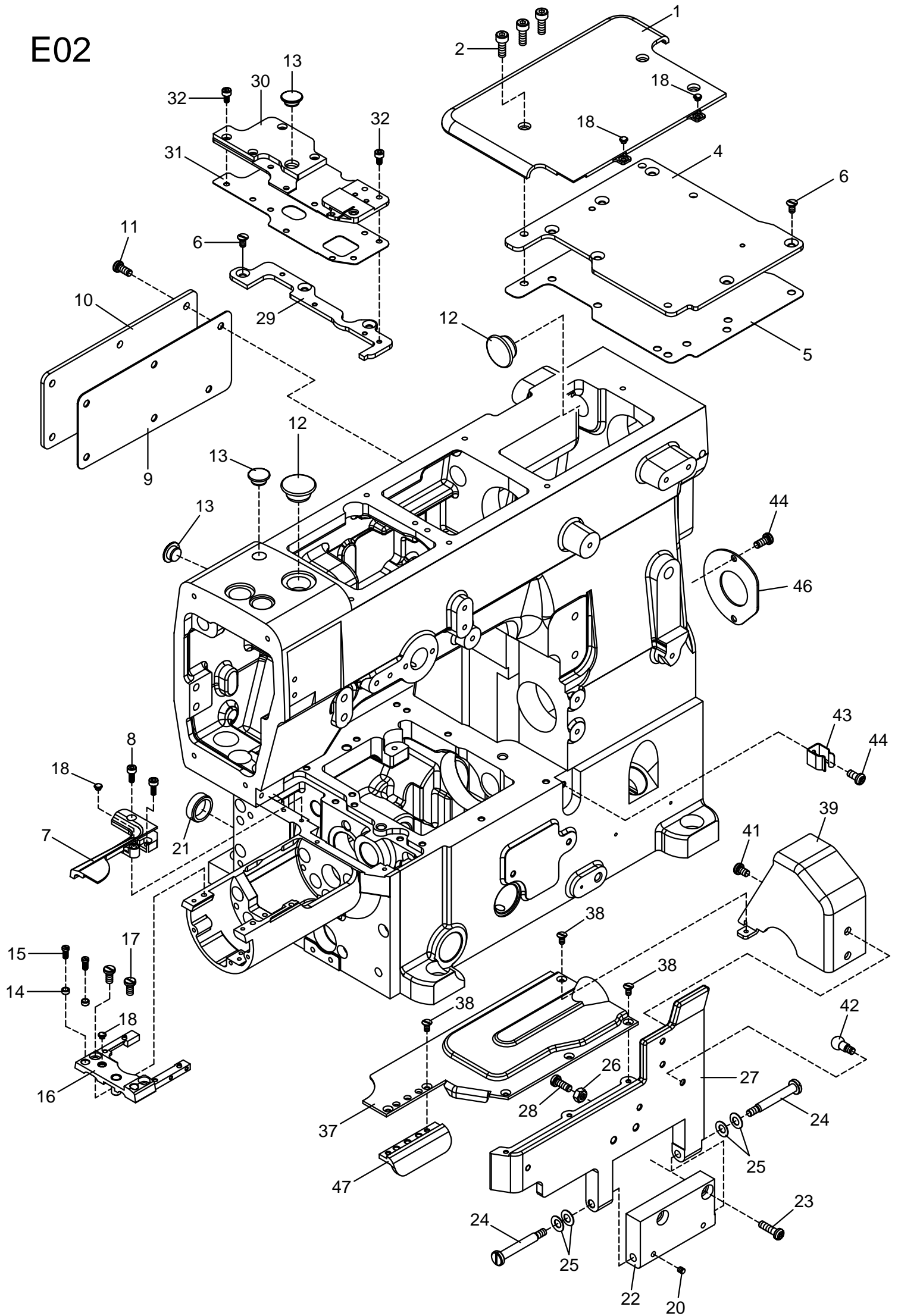
MISCELLANEOUS COVERS (1)

機殼機構(1)

E01

Ref.No	Parts.No	Description	品名	Amt.Req.
1	C01001	Top Cover	上蓋	1
2	C01002	Screw(M4-0.7x12)	螺絲	11
3	C01003	Top Cover Gasket	上蓋墊片	1
4	C01004	Oil Sight Window	上油鏡	1
5	C01005	Seal Plug	止油膠塞	1
6	C01006	Head Cover	上側蓋	1
7	C01007	Head Cover Gasket	上側蓋墊片	1
8	A01049	Seal Plug	止油膠塞	1
9	C01009	Emblem	銘牌	1
10	A06046	Screw (M5-0.8x14)	螺絲	5
11	E01011	Pin	固定梢	2
12	E01012	Oil Reservoir Gasket	防油墊	1
13	E01013	Side Cover	側蓋	1
14	E01014	Ball Bearing	滾珠軸承	1
15	C04049	Screw (M3-0.5x6.5)	螺絲	5
16	E01016	Hinge	鉸鏈	1
17	E01017	Side Cover	底座側蓋	1
18	E01018	Side Cover Hinge Pin	側蓋插梢	1
19	E01019	Cover Latch Spring	側蓋卡簧	1
20	C02049	Screw(M3-0.5x3.5)	螺絲	1
21				
22	C01022	Emblem	銘牌	1
23	A01017	Emblem	銘牌	1
24	C01024	Wind Guide Plate	風導板	1
25	C01025	Screw (M4-0.7x8)	螺絲	3
26	C01026	Drain Hole Seal	排油螺絲油封	1
27	C01027	Screw(3/8-24x8)	螺絲	1
28	C01028	Oil Reservoir Gasket	油槽止油膠墊	1
29	C01029	Oil Reservoir	油槽	1
30	C01030	Screw(M8-1.25x20)	螺絲	4
31	C01031	Machine Frame Supporting Bar	機體支柱	4
32	A01021	Serial Number Plate	機台序號牌	1
33	A02015	Model Plate(See the below)	機台型號牌	1
34	A01022	Rivet	鉚釘	6
35	C01135	Theravada	上座	1
36	E01036	Bed-rear	底座-後	1
37	E01037	Bed-front	底座-前	1

E02



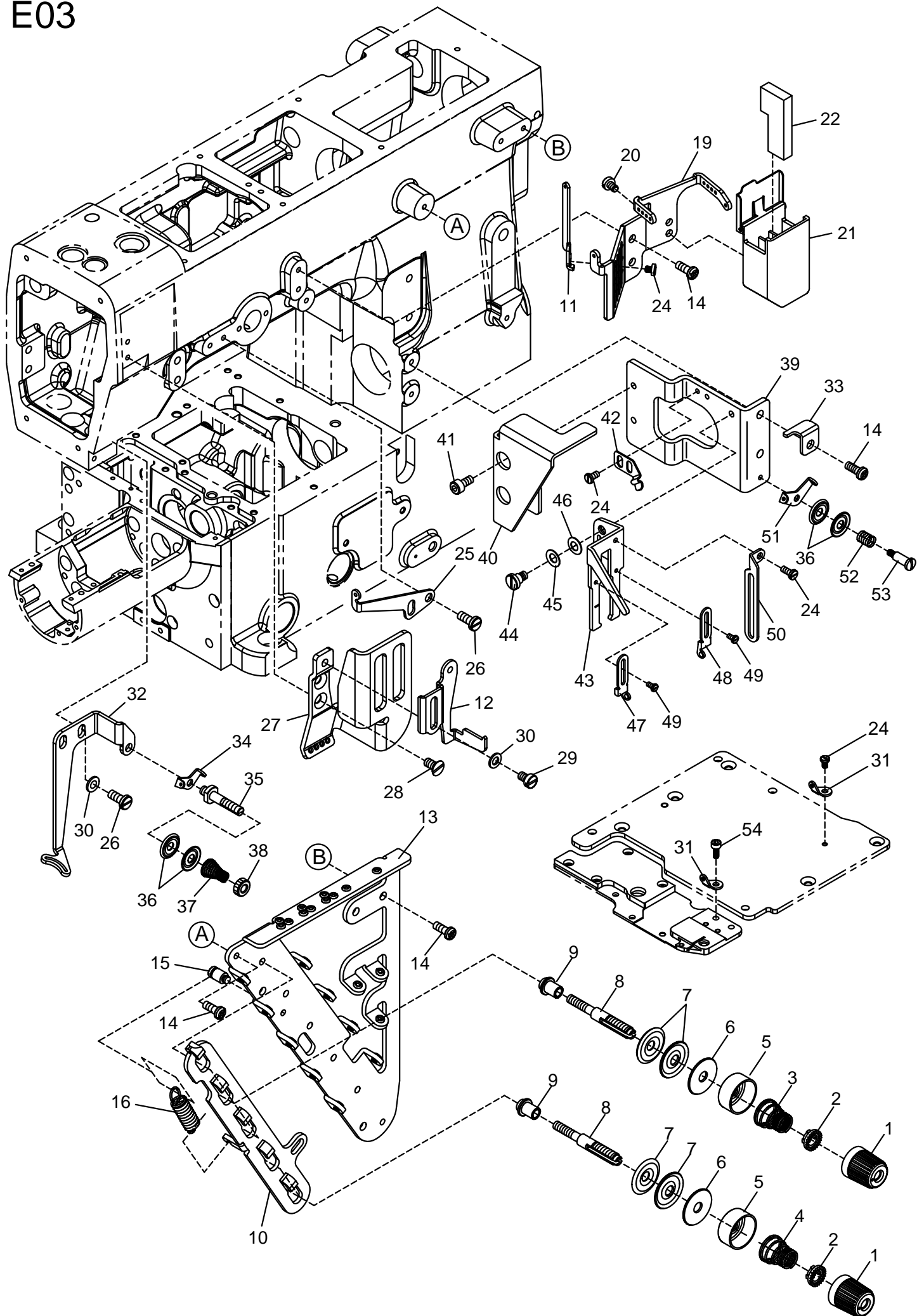
MISCELLANEOUS COVERS (2)

機殼機構(2)

E02

Ref.No	Parts.No	Description	品名	Amt.Req.
1	E02001	Cloth Plate	縫製平台	1
2	C02002	Screw(M4-0.7x12)	螺絲	3
3				
4	E02004	Crank Chamber Cover	曲軸室上蓋	1
5	E02005	Crank Chamber Cover Gasket	曲軸室防油墊片	1
6	C02006	Screw(M4-0.7x7.3)	螺絲	9
7	E02007	Side Cover Supplementary Block	輔助蓋	1
8	E02008	Screw(M3-0.5x8)	螺絲	1
9	C02009	Rear Cover Gasket	後蓋墊片	1
10	C02010	Rear Cover	後蓋	1
11	C01025	Screw (M4-0.7x8)	螺絲	6
12	A01048	Seal Plug	止油膠塞	2
13	A01049	Seal Plug	止油膠塞	3
14	E02014	Spacer	隔環	2
15	E02015	Screw(M3-0.5x6.5)	螺絲	2
16	E02016	Stitch Plate Holder	針板支架	1
17	C02017	Screw (M4-0.7x8)	螺絲	2
18	E02018	Rubber Cushion	緩衝墊	4
19				
20				
21	C04036	Seal Plug	止油膠塞	1
22	C02022	Front Cover Hinge	前蓋絞鏈	1
23	C02023	Screw(M4-0.7x14)	螺絲	2
24	C02024	Screw(M4-0.7x8)	螺絲	2
25	C02025	Conical Spring Washer	錐形彈簧墊圈	4
26	C02029	Nut	螺帽	1
27	E02027	Front Cover(Lower)	底座前蓋	1
28	C07004	Screw(M4-0.7x10)	螺絲	1
29	E02029	Upper Cover Support	上蓋支撐架	1
30	E02030	Rear Cover	底座蓋板	1
31	E02031	Rear Cover Gasket	防油墊片	1
32	E02032	Screw(M3-0.5x6)	螺絲	5
33				
34				
35				
36				
37	E02037	Front Cover(Upper)	前蓋頂座	1
38	C02038	Screw(M3-0.5x6)	螺絲	6
39	C02039	Thread Take-up Cover(Front)	提線蓋(前)	1
40				
41	C02041	Screw(M4-0.7x6)	螺絲	2
42	C02042	Screw(M4-0.7x5)	螺絲	1
43	C02043	Cover Latch Spring	鎖門彈簧	1
44	C02044	Screw (M4-0.7x5)	螺絲	3
45				
46	C02146	Ball Bearing Holder	軸承固定壓板	2
47	E02047	Movable Block	活動塊	1

E03



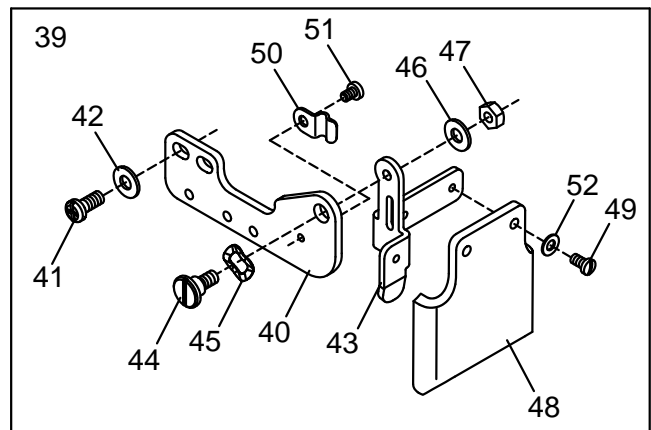
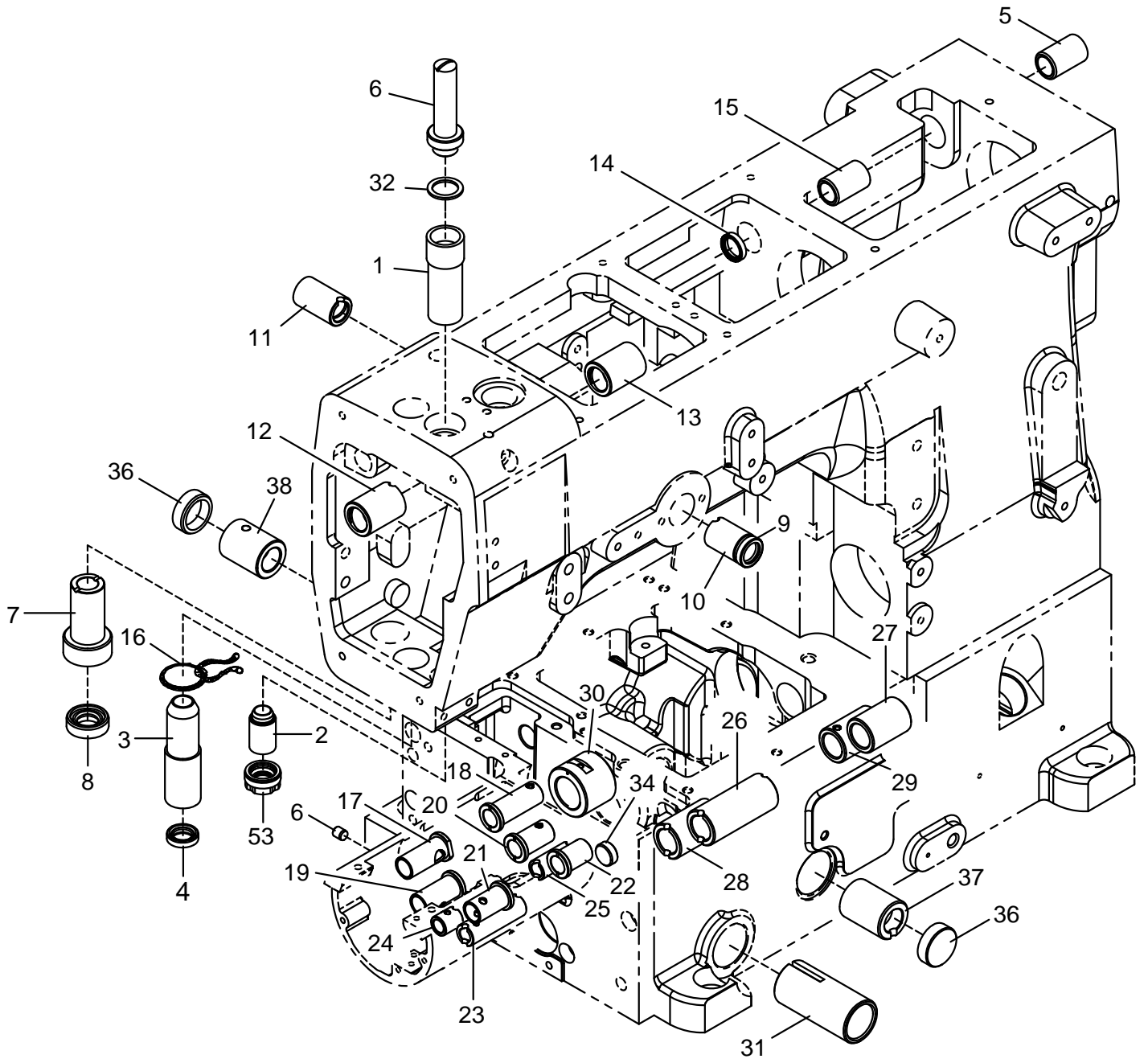
MISCELLANEOUS THREAD EYELETS

過線機構

E03

Ref.No	Parts.No	Description	品名	Amt.Req.
1	C03001	Thread Tension Spring Cap	上線張力彈簧調整鈕	5
2	C03002	Tension Spring Bushing	張力彈簧套管	5
3	C03003	Tension Spring(Needle)	針線張力彈簧	3
4	C03004	Tension Spring(Looper , Top Cover)	下勾針,上飾線張力彈簧	2
5	C03005	Thread Tension Spring Retainer	上線張力彈簧固定座	5
6	C03006	Felt	吸油氈	5
7	A03023	Tension Disc	張力調整盤	10
8	C03008	Tension Post	上線張力彈簧支柱	5
9	C03009	Tension Post Ferrule	上線張力彈簧支柱套圈	5
10	C03010	Tension Disc Separator	上線張力圓盤分離器	1
11	C03011	Tension Disc Eyelet	上線張力導孔片	3
12	C03112	Needle Thread Guide	針線導架	1
13	C03013	Tension Post Support	上線張力組支柱架	1
14	C01025	Screw (M4-0.7x8)	螺絲	8
15	C03015	Screw	螺絲	1
16	C03016	Spring	彈簧	1
17				
18				
19	C03219	Needle Thread Eyelet Bracket	針線過線架	1
20	C03020	Tapping Screw(3x6mm)	螺絲	2
21	C03021	SP Container	矽油儲存槽	1
22	C03022	Felt	吸油氈	1
23				
24	C02049	Screw(M3-0.5x3.5)	螺絲	7
25	C03125	Top Cover Thread Eyelet(Upper)	上飾線過線桿(上)	1
26	C02017	Screw (M4-0.7x8)	螺絲	4
27	C03127	Needle Thread Take-up Guard	針線提線桿護架	1
28	C02006	Screw(M4-0.7x7.3)	螺絲	2
29	C02041	Screw(M4-0.7x6)	螺絲	1
30	C03030	Washer	墊片	3
31	E02040	Looper Thread Eyelet	導線板	2
32	C03132	Top Cover Thread Guide	上飾線導板	1
33	C03033	Eyelet Holder Stopper	導片支架止栓	1
34	C03034	Top Cover Thread Eyelet	上飾線過線桿	1
35	C03035	Tension Post	上線張力彈簧支柱	1
36	C03036	Top Cover Tension Disc	上飾線張力調整盤	4
37	C03037	Top Cover Tension Spring	上飾線張力彈簧	1
38	C03038	Nut	螺帽	1
39	C03039	Thread Take-up Eyelet Bracket	提線導板架	1
40	C03040	Thread Take-up Cover(Rear)	提線蓋(後)	1
41	C03041	Screw (M4-0.7x6)	螺絲	2
42	C03042	Latch Spring	插銷彈簧	1
43	C03043	Thread Take-up Eyelet Holder	提線導板支架	1
44	C03044	Screw(M4-0.7x4)	螺絲	1
45	C02025	Conical Spring Washer	錐形彈簧墊圈	1
46	B25024	Washer	墊片	1
47	C03047	Thread Take-up Eyelet(Left)	提線導板(左)	1
48	C03048	Thread Take-up Eyelet(Right)	提線導板(右)	1
49	C03049	Screw(M2.5-0.45x3.5)	螺絲	2
50	C03050	Looper Thread Guide	勾針線導板	1
51	C03051	Looper Thread Eyelet	底線輔助導板	1
52	C03052	Looper Thread Retainer Spring	底線彈簧	1
53	C03053	Screw(M3-0.5x5)	螺絲	1
54	E02008	Screw(M3-0.5x8)	螺絲	1

E04



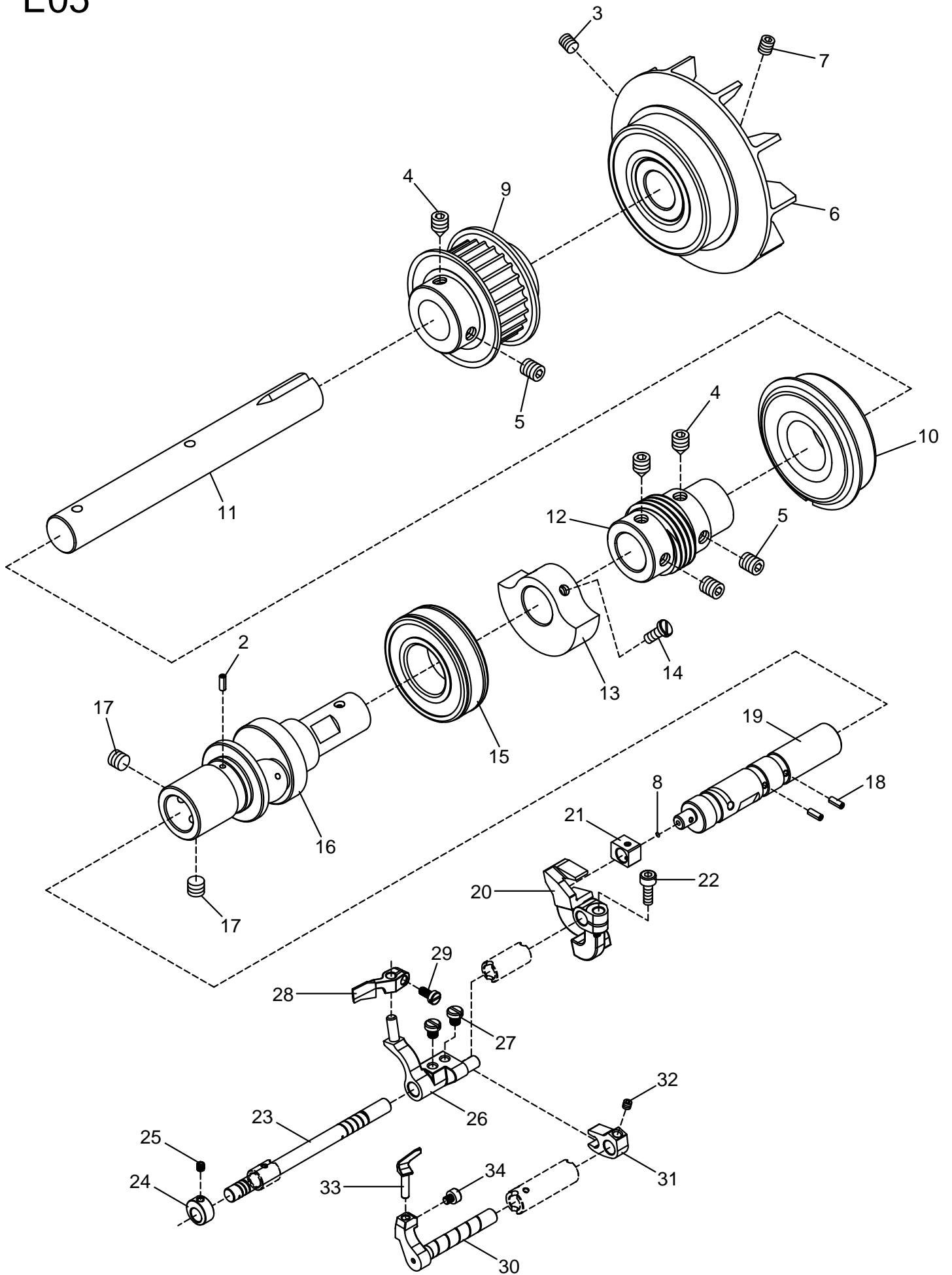
MISCELLANEOUS BUSHINGS & EYE GUARD

套管機構及護目鏡

E04

Ref.No	Parts.No	Description	品名	Amt.Req.
1	C04101	Needle Bar Bushing(Upper)	針柱套管(上)	1
2	C04002	Needle Bar Bushing(Lower)	針柱套管(下)	1
3	C04003	Presser Bar Bushing	壓腳套管	1
4	C04004	Oil Seal	油封	1
5	C04005	Foot Lifter Lever Bushing(Right)	抬壓腳連接桿套管(右)	1
6	A0424	Needle Bar Bushing(Upper)Lid	針柱套管(上)蓋	1
7	C04007	Spreader Driving Bar Bushing	上飾線打線器套管	1
8	C04008	Oil Seal	油封	1
9	C04009	Oil Seal	油封	1
10	C04010	Needle Thread Take-up Bushing(Front)	針線提線桿套管(前)	1
11	C04111	Needle Thread Take-up Bushing(Rear)	針線提線桿套管(後)	1
12	C04012	Spreader Driving Shaft Bushing(Left)	上飾線打線器傳動軸套管(左)	1
13	C04013	Spreader Driving Shaft Bushing(Right)	上飾線打線器傳動軸套管(右)	1
14	C04014	Oil Seal	油封	1
15	C04015	Foot Lifter Lever Bushing	抬壓腳連接桿套管(左)	1
16	C04016	Oil Wick	油芯	1
17	E04017	Feed Bar Lift Bushing(Rear / Left)	上下送料軸套管(後/左)	1
18	E04018	Feed Bar Lift Bushing(Rear / Right)	上下送料軸套管(後/右)	1
19	E04019	Feed Rocker Bushing(Left)	前後送料軸套管(左)	1
20	E04020	Feed Rocker Bushing(Right)	前後送料軸套管(右)	1
21	E04021	Feed Bar Lift Bushing(Front / Left)	上下送料軸套管(前/左)	1
22	E04022	Feed Bar Lift Bushing(Front / Right)	上下送料軸套管(前/右)	1
23	E04023	Needle Guard(Front) Bushing	前針檔套管	1
24	E04024	Needle Guard Bushing(Left)	後針檔套管(左)	1
25	E04025	Needle Guard Bushing(Right)	後針檔套管(右)	1
26	E04026	Feed Bar Lift Bushing(Large / Left)	上下送料軸套管(大/左)	1
27	E04027	Feed Bar Lift Bushing(Large / Right)	上下送料軸套管(大/右)	1
28	E04028	Feed Rocker Bushing(Large / Left)	前後送料軸套管(大/左)	1
29	E04029	Feed Rocker Bushing(Large / Right)	前後送料軸套管(大/右)	1
30	E04030	Lower Shaft Bushing	下主軸套管	1
31	E04031	Adjusting Screw Bushing	送料具調節螺絲套管	1
32	A0425	Gasket	墊片	1
33				
34	E04034	Seal Plug	止油膠塞	1
35				
36	C04036	Seal Plug	止油膠塞	2
37	C04037	Looper Driving Shaft Bushing(Front)	下勾針傳動軸套管(前)	1
38	C04038	Looper Driving Shaft Bushing(Rear)	下勾針傳動軸套管(後)	1
39	C04039	Eye Guard. Complete Set	護目鏡組	1
40	C04040	Air Wiper Bracket	氣制支架	1
41	C02017	Screw (M4-0.7x8)	螺絲	2
42	C03030	Washer	墊片	2
43	C04043	Eye Guard Holder	護目鏡支架	1
44	C04044	Screw(M4-0.7x7)	螺絲	1
45	C04045	Conical Spring Washer	錐形彈簧墊圈	1
46	C04046	Washer	墊片	1
47	C02029	Nut	螺帽	1
48	C04048	Eye Guard	護目鏡	1
49	C04049	Screw (M3-0.5x6.5)	螺絲	2
50	C04050	Stopper Spring	止栓墊片	1
51	C02049	Screw(M3-0.5x3.5)	螺絲	1
52	C04052	Washer	墊片	2
53	C04053	Oil seal	油封	2

E05



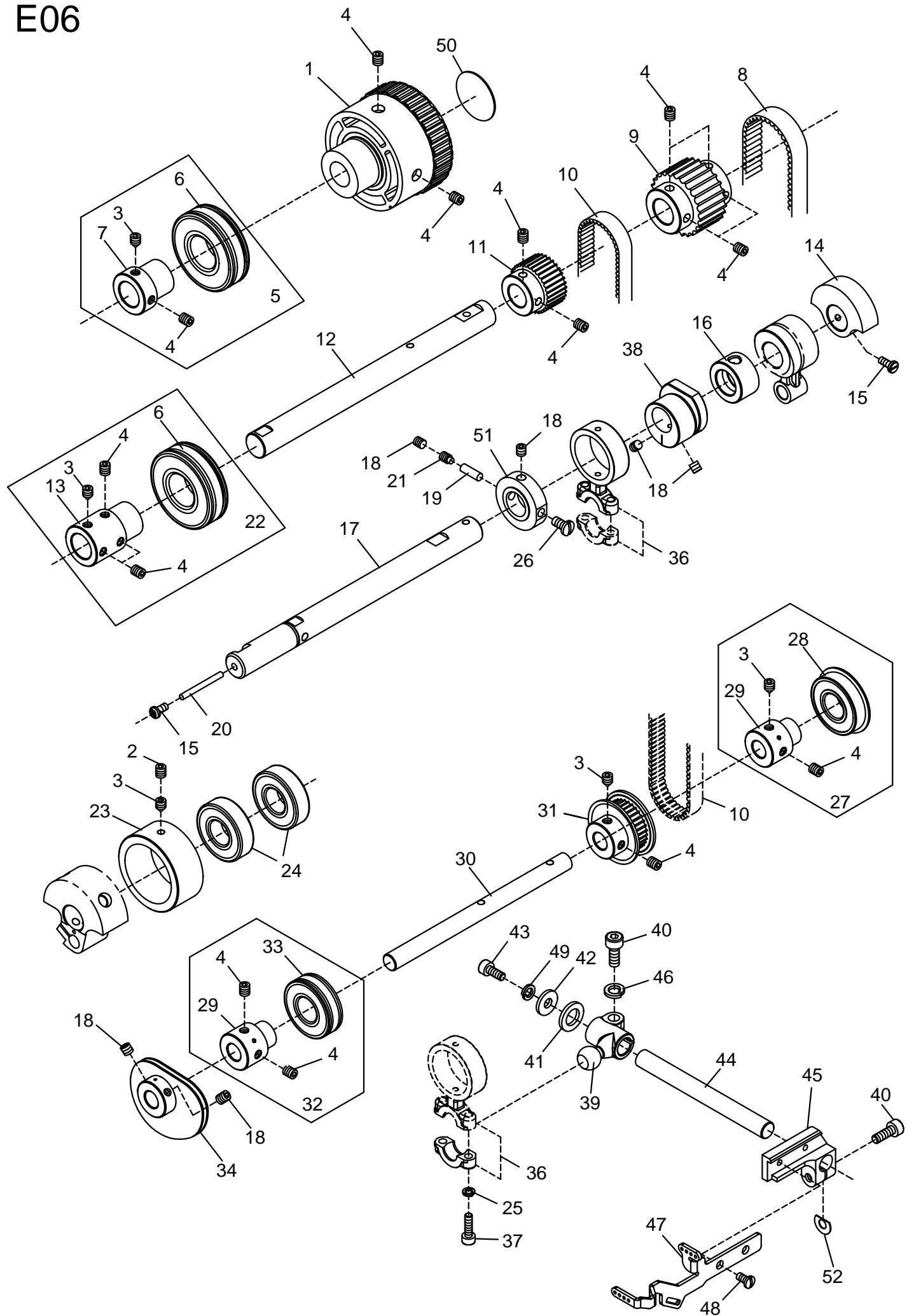
NEEDLE GUARD & MAIN SHAFT DRIVING MECHANISM

頂針片及下主軸機構組

E05

Ref.No	Parts.No	Description	品名	Amt.Req.
1				
2	C05008	Spring Pin(Ø3x8mm)	固定銷	1
3	C05003	Screw(M4-0.7x4)	螺絲	1
4	C05004	Screw(M6-1x8)	螺絲	3
5	C02021	Screw(M6-1x6)	螺絲	5
6	C05006	Oil Cooling Fan Unit	冷卻扇組	1
7	C10002	Screw (M4-0.7x5)	螺絲	2
8	E05008	Ball Bearing	鋼珠	1
9	C05009	Main Shaft Sprocket(Lower)	下主軸鏈輪	1
10	C05010	Ball Bearing(Middle)	滾珠培林(中)	1
11	C05011	Lower Shaft(Right)	下傳動軸(右)	1
12	C05012	Oil Pump Driving Worm	油泵傳動連桿組件	1
13	C05013	Counterweight(Small)	平衡配重凸輪(小)	1
14	C02017	Screw (M4-0.7x8)	螺絲	2
15	C05015	Ball Bearing(Left)	滾珠培林(左)	1
16	C05016	Lower Shaft(Middle)	下傳動軸(中)	1
17	C05017	Screw(M6-1.0x4.8)	止付螺絲	2
18	C05018	Spring Pin(Ø2x6mm)	固定銷	2
19	E05019	Lower Shaft(Left)	下傳動軸(左)	1
20	E05020	Drive Arm	曲柄	1
21	E05021	Slide Block	滑塊	1
22	B29034	Screw (M4-0.7x10)	螺絲	1
23	E05023	Needle Guard Driving Shaft	針檔驅動軸	1
24	E05024	Collar	固定環	1
25	C01014	Screw (M3-0.5x3)	螺絲	1
26	E05026	Needle Guide Holder-(Rear)	後護針座	1
27	E05027	Screw(M4-0.7x4.5)	螺絲	2
28	E05028	Needle Guide	後護針器	1
29	C04049	Screw (M3-0.5x6.5)	螺絲	1
30	E05030	Needle Guide Holder-(Front)	前護針座	1
31	E05031	Needle Guide Lever	擺動叉	1
32	C02026	Screw (M4-0.7x4)	螺絲	1
33	E05033	Needle Guide	前護針器	1
34	E05034	Screw(M3-0.5x3.5)	螺絲	1

E06



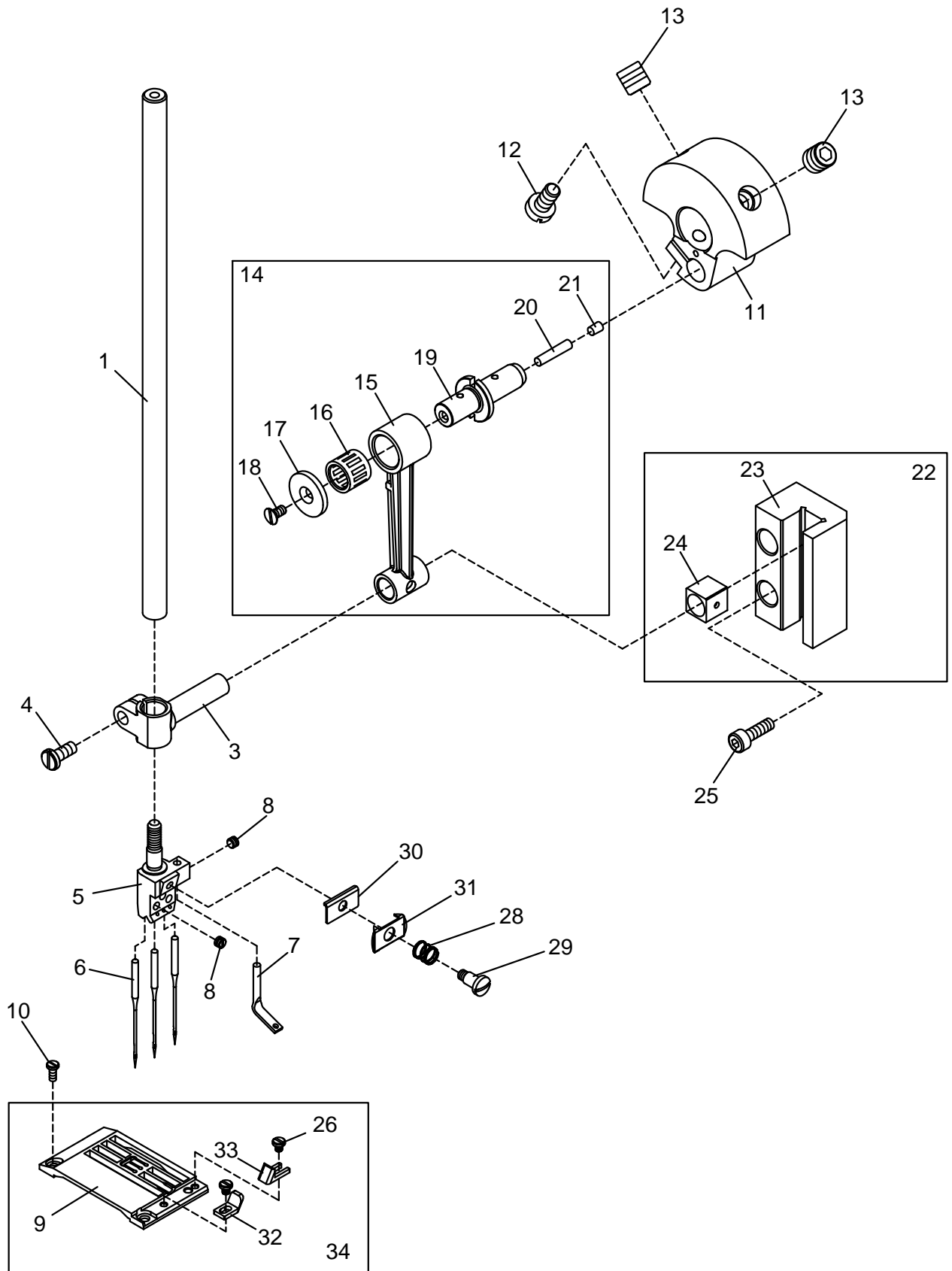
UPPER SHAFT & NEEDLE THREAD TAKE-UP MECHANISM

上主軸及針線提線機構

E06

Ref.No	Parts.No	Description	品名	Amt.Req.
1	C06001	Handwheel	手推輪	1
2	C05017	Screw(M6-1.0x4.8)	止付螺絲	1
3	C05004	Screw(M6-1x8)	螺絲	5
4	C02021	Screw(M6-1x6)	螺絲	16
5	C06005	Adapter, C. Set	接頭組	1
6	C06006	Ball Bearing	軸承	2
7	C06007	Adapter	接頭	1
8	C06008	Timing Belt(550-5GT-12)	同步傳動皮帶	1
9	C06009	Upper Shaft Sprocket(Upper)	上主輪鏈輪	1
10	C06010	Timing Belt(384-3GT-8)	同步傳動皮帶	1
11	C06111	Upper Shaft Sprocket(Upper)	上主軸鏈輪	1
12	C06012	Upper Shaft(Right)	上主傳動軸(右)	1
13	C06013	Upper Shaft Joint	上主軸接頭	1
14	C05013	Counterweight(Small)	平衡配重凸輪(小)	1
15	C02017	Screw (M4-0.7x8)	螺絲	3
16	C06016	Oil Sleeve	油套管	1
17	C06117	Upper Shaft(Left)	上主傳動軸(左)	1
18	A0403	Screw (M5-0.8x5)	螺絲	6
19	C06119	Oil Wick(Ø4.5x13mm)	油芯	1
20	C06120	Oil Wick(Ø3.1x31mm)	油芯	1
21	C06121	Screw(M5-0.8x5)	螺絲	1
22	C06122	Upper Shaft Joint, C. Set	上主軸接管組	1
23	C06023	Upper Shaft Sleeve	上軸套管	1
24	C06024	Ball Bearing	滾珠培林	2
25	B29041	Spring Washer	彈簧墊片	2
26	C06126	Screw (M5-0.8X7)	螺絲	1
27	C06027	Adapter(Right), C. Set	接頭組	1
28	C06028	Ball Bearing	滾珠培林	1
29	C06029	Adapter	接頭	2
30	C06130	Looper Thread Take-up Shaft	分線盤傳動軸	1
31	C06131	Thread Take-up Shaft Sprocket(Lower)	分線盤傳動軸鏈輪	1
32	C06032	Adapter(Left), C. Set	接頭組	1
33	C06033	Ball Bearing	滾珠培林	1
34	C06034	Looper Thread Take-up	底線挑線凸輪	1
35				
36	C06136	Connecting Rod	連桿	1
37	C07025	Screw (M4-0.7x16)	螺絲	2
38	C06138	Spreader Eccentric	偏心輪	2
39	C06039	Driving Lever	傳動桿	1
40	C06040	Screw(M6-1x16)	螺絲	2
41	C06041	Washer	墊片	1
42	C06042	Washer	墊片	1
43	C06043	Screw (M5-0.8x10)	螺絲	1
44	C06044	Driving Shaft	傳動軸	1
45	C06145	Bracket	托架	1
46				
47	C06147	Needle Thread Take-up	針線提線過線桿	1
48	C06048	Screw(M4-0.7x8)	螺絲	2
49	B14006	Spring Washer	彈性墊片	1
50	C06150	Emblem	銘牌	1
51	C06051	Locating Ring	定位環	1
52	C06052	Washer	墊片	1

E07



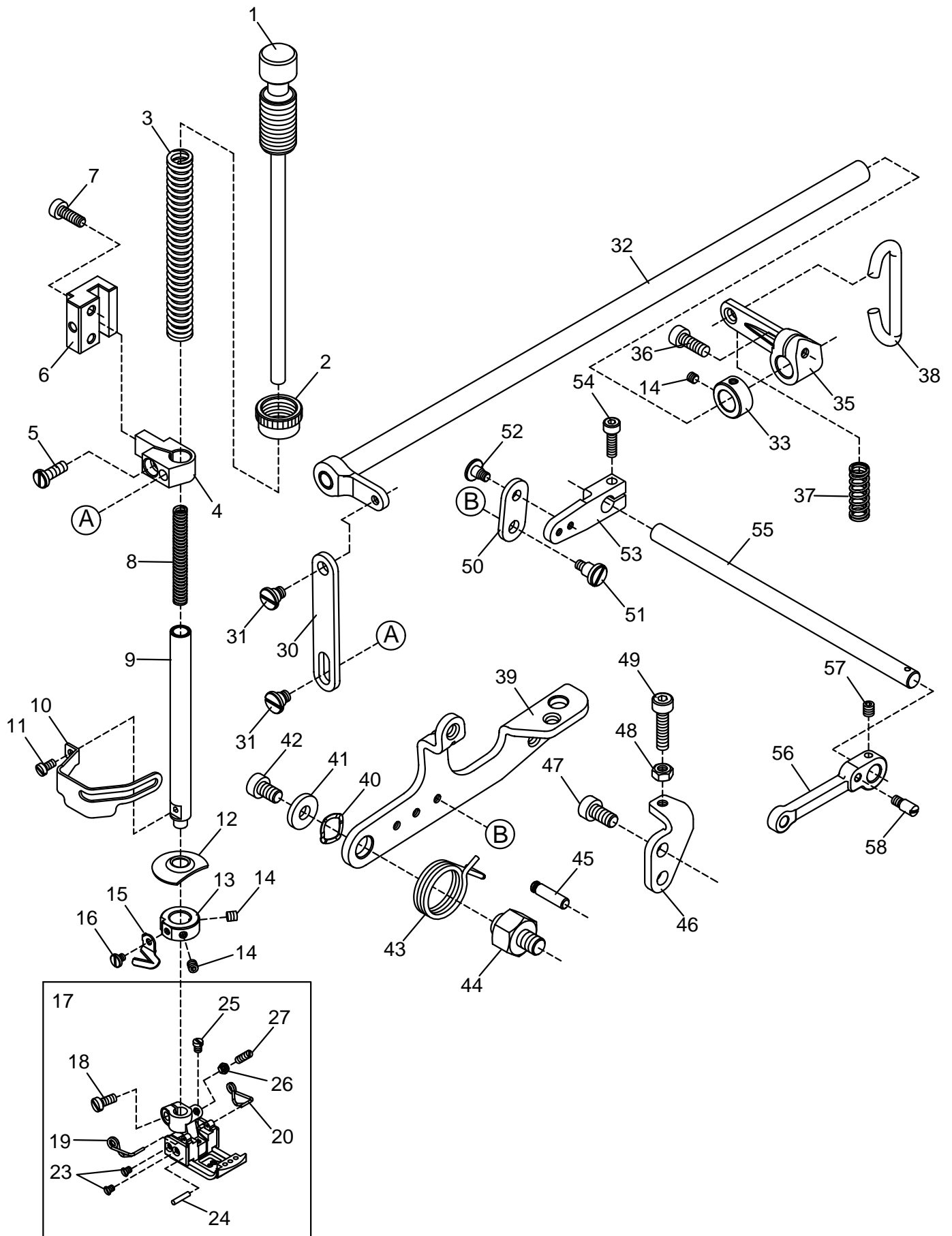
NEEDLE BAR MECHANISM

針棒機構

E07

Ref.No	Parts.No	Description	品名	Amt.Req.
1	C07001	Needle Bar	針棒	1
2				
3	C07003	Needle Bar Bracket	針棒托架	1
4	C07004	Screw(M4-0.7x10)	螺絲	1
5	M27356	Needle Clamp(5.6mm)	針鉗	1
6	C07006	Needle(UYx128 GAS)	針	3
7	C07007	Top Cover Thread Eyelet	上飾線過線片	1
8	C07008	Screw(1/8-44x2.4)	螺絲	4
9	S11056	Stitch Plate(5.6mm)	針板	1
10	U13018	Screw (M3-0.5x5)	螺絲	2
11	C07011	Counterweight	平衡配重凸輪	1
12	C07012	Screw(M5-0.8x10)	螺絲	2
13	C07013	Screw(M8-1.25x8)	螺絲	2
14	C07014	Connecting Rod. Complete Set	連桿組	1
15	C07015	Connecting Rod.	連桿	1
16	C07016	Roller Bearing	培林	1
17	C07017	Eccentric Pin Plate	偏心梢墊片	1
18	C02038	Screw(M3-0.5x6)	螺絲	1
19	C07019	Eccentric Pin	偏心梢	1
20	C07020	Felt(2.5x3x30mm)	吸油蕊	1
21	C07021	Seal Plug	油塞	1
22	C07022	Needle Bar Guide,C.Set	針棒定位滑塊組	1
23	C07023	Needle Bar Guide	針棒定位滑槽	1
24	C07024	Slide Block	針棒定位滑塊	1
25	C07025	Screw (M4-0.7x16)	螺絲	2
26				
27				
28	C07028	Spring	彈簧	1
29	C07029	Screw(1/8-44x3)	螺絲	1
30	C07030	Needle Thread Guide	針線導板	1
31	C07031	Needle Thread Holder Stopper	針線限制支架	1
32	E07032	Fabric Guide(Left)	倒骨擋塊-左	1
33	E07033	Fabric Guide(Right)	倒骨擋塊-右	1
34	E07034	Stitch Plate(5.6mm), C. Set	針板組	1

E08



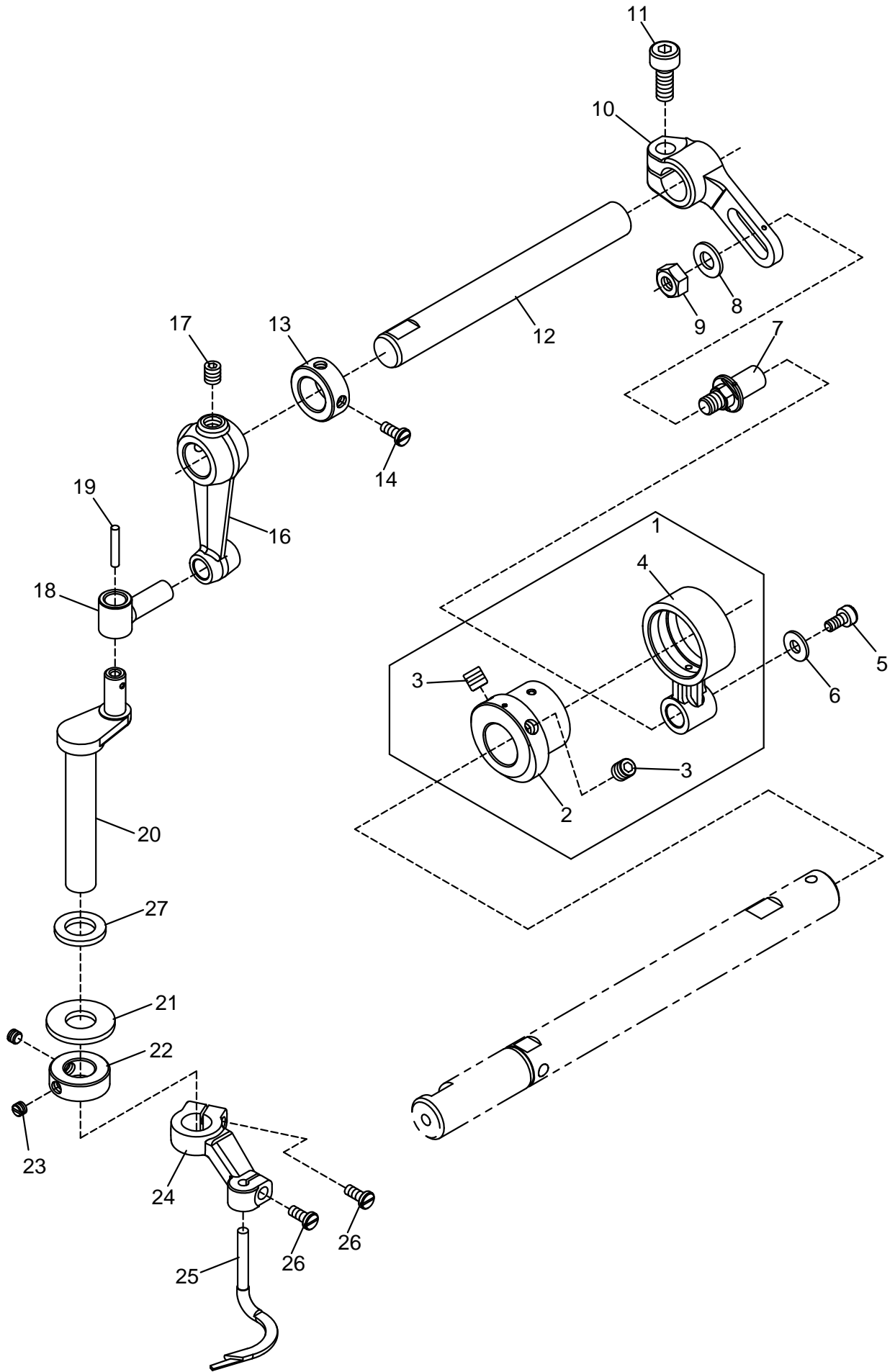
PRESSER FOOT MECHANISM

壓腳機構

E08

Ref.No	Parts.No	Description	品名	Amt.Req.
1	C08001	Presser Spring Regulator	壓腳彈簧調節器	1
2	C08002	Lock Nut	鎖緊螺帽	1
3	C08003	Presser Bar Spring(Outer)	壓腳棒彈簧(外)	1
4	C08004	Presser Bar Connecting Bracket	壓腳推桿連接架	1
5	C02031	Screw(M4-0.7x12)	螺絲	1
6	C08006	Presser Bar Guide	壓腳推桿導架	1
7	C08007	Screw(11/64-40x16)	螺絲	2
8	C08008	Presser Bar Spring(Inner)	壓腳棒彈簧(內)	1
9	C08009	Presser Bar	壓腳棒	1
10	C08010	Finger Guard	手指護擋	1
11	C04049	Screw (M3-0.5x6.5)	螺絲	1
12	C08012	Oil Protector Ring	止油環	1
13	C08013	Collar(9x17x7mm)	軸環	1
14	C02026	Screw (M4-0.7x4)	螺絲	4
15	C08015	Thread Chain Cutting Knife	割線刀	1
16	C02049	Screw(M3-0.5x3.5)	螺絲	1
17	P27056	Presser Foot, C. Set(5.6mm)	壓腳組	1
18	C08018	Screw(M3.5-0.6x10)	螺絲	1
19	C08019	Presser Foot Spring(Left)	壓腳彈簧(左)	1
20	C08020	Presser Foot Spring(Right)	壓腳彈簧(右)	1
21				
22				
23	C08023	Screw(M2.5-0.45x6)	螺絲	4
24	C08024	Presser Foot Hinge Pin(56,64)	壓腳鎖門插銷	1
25	C08025	Screw(M3.5-0.5x4.2)	螺絲	1
26	C08026	Lock Nut	併緊螺帽	1
27	C08027	Adjusting Screw(1/8-44x9.5)	可調螺絲	1
28				
29				
30	C08030	Presser Foot Lifter	壓腳提升器	1
31	C08031	Screw(M5-0.8x3.5)	螺絲	2
32	C08032	Lifter Shaft	壓腳提升主軸	1
33	C09122	Collar(10x18x7mm)	軸環	1
34				
35	C08035	Lifter Shaft Lever	提升主軸拉柄	1
36	C08036	Screw(M5-0.8x14)	螺絲	1
37	C08037	Spring	彈簧	1
38	C08038	Lever Link	拉柄連桿	1
39	C08039	Lifter Lever	提升拉柄	1
40	C08040	Elastic Washer	波形彈性墊片	1
41	C08041	Washer	墊片	1
42	C08042	Screw(M6-1x10)	螺絲	1
43	C08043	Spring	彈簧	1
44	C08044	Lifter Lever Holder	提升拉柄座	1
45	C08045	Knock Pin(Ø5x20mm)	插銷	1
46	C08046	Lifter Lever Stopper	提升拉柄擋件	1
47	C08047	Screw(M6-1x12)	螺絲	2
48	C08048	Nut	螺帽	1
49	C08049	Screw(M5-0.8x22)	螺絲	1
50	C08050	Tension Release Lever Connector	拉力釋放槓桿連桿	1
51	C08051	Screw(M4-0.7x5)	螺絲	1
52	C08052	Screw(M4-0.7x4)	螺絲	1
53	C08053	Tension Release Lever	拉力釋放槓桿	1
54	C06037	Screw(M4-0.7x14)	螺絲	1
55	C08055	Tension Release Shaft	拉力釋放軸	1
56	C08056	Thread Pull-off Lever	拉力釋放槓桿	1
57	C08057	Screw(M4-0.7x4)	止付螺絲	1
58	C08058	Tension Release Adjusting Eccentric	拉力釋放調整偏心	1

E09



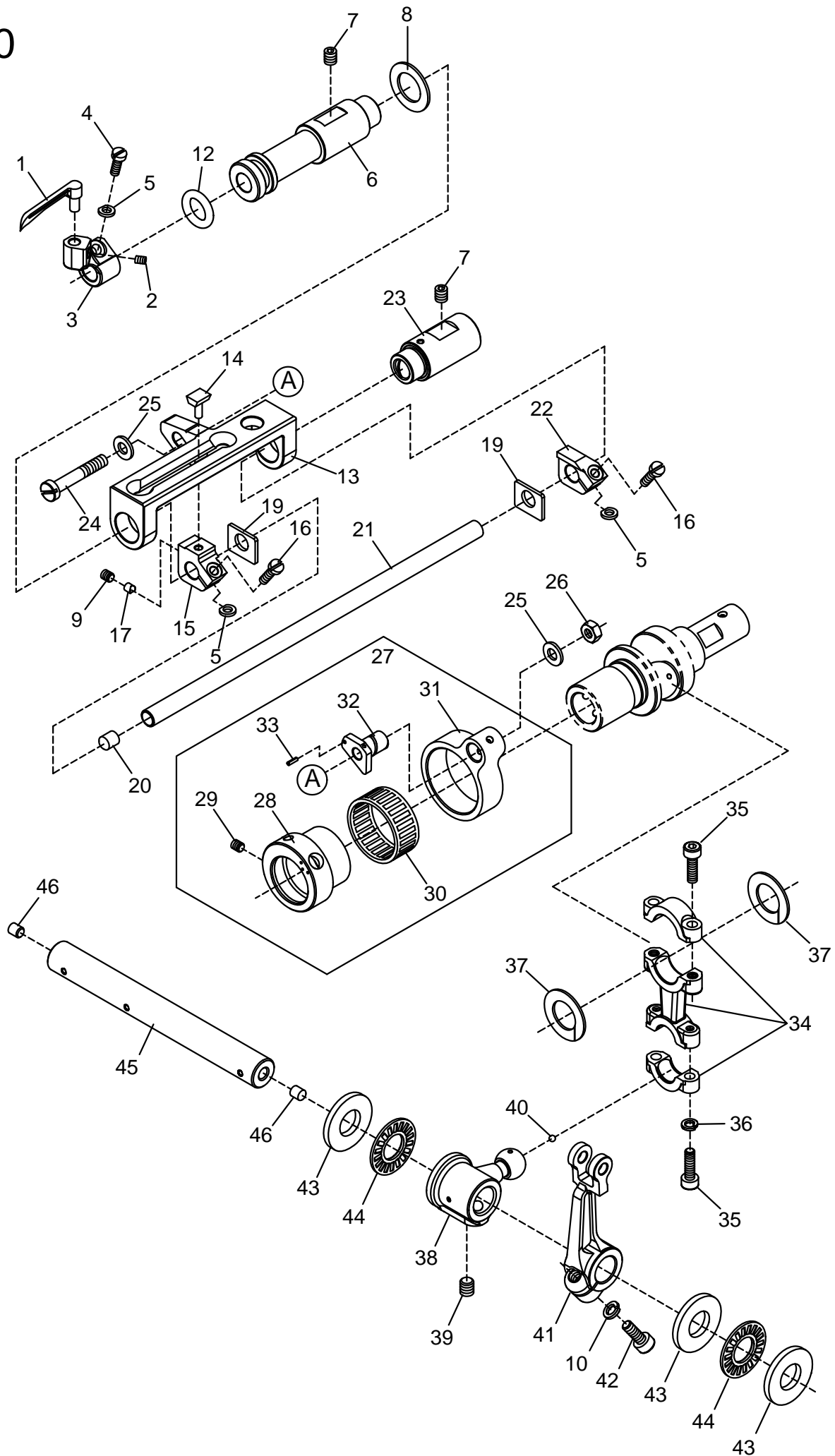
SPREADER MECHANISM

上飾線驅動機構

E09

Ref.No	Parts.No	Description	品名	Amt.Req.
1	C09001	Spreader Eccentric, C. Set	偏心輪組	1
2	C09002	Spreader Eccentric	偏心輪	1
3	C05021	Screw(M5-0.8x5)	止付螺絲	2
4	C09004	Spreader Connecting Rod	連桿	1
5	C02017	Screw (M4-0.7x8)	螺絲	1
6	C09006	Washer	墊片	1
7	C09007	Adjusting Lever Pin	拉柄可調式插銷	1
8	B25022	Washer	墊片	1
9	C09009	Nut	螺帽	1
10	C09010	Spreader Adjusting Lever	可調式拉柄	1
11	C06040	Screw(M6-1x16)	螺絲	1
12	C09012	Driving Shaft	主動軸	1
13	C09013	Collar(12x20x8mm)	軸環	1
14	A08014	Screw (11/64-40x5.8)	螺絲	2
15				
16	C09016	Rocking Arm	搖臂	1
17	C02021	Screw(M6-1x6)	螺絲	2
18	C09018	Rocking Pin	支點銷	1
19	C09019	Oil Wick(Ø3.3x15mm)	油芯	1
20	C09020	Spreader Bar	延展臂	1
21	C09021	Bushing Ring	襯環	1
22	C09122	Collar(10x18x7mm)	軸環	1
23	C02026	Screw (M4-0.7x4)	螺絲	2
24	C09024	Spreader Holder	上勾固定座	1
25	C09025	Spreader	上勾	1
26	C02031	Screw(M4-0.7x12)	螺絲	2
27	C06041	Washer	墊片	1

E10



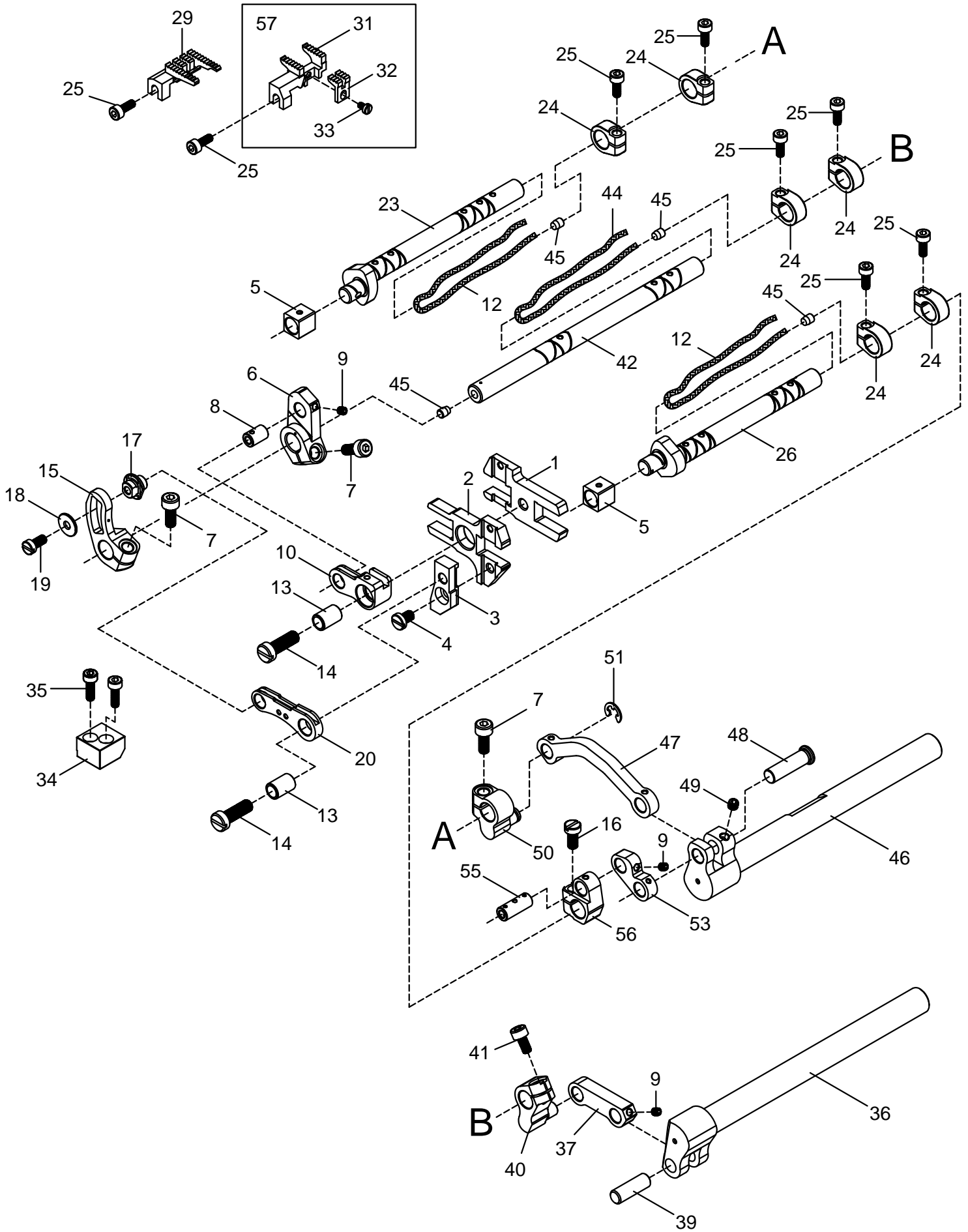
LOOPER DRIVING MECHANISM

下勾針驅動機構

E10

Ref.No	Parts.No	Description	品名	Amt.Req.
1	C10001	Looper	下勾針	1
2	C10002	Screw (M4-0.7x5)	螺絲	1
3	E10003	Looper Holder	下勾針固定座	1
4	C08018	Screw(M3.5-0.6x10)	螺絲	1
5	C10005	Spacer(Fiber)	墊片	3
6	E10006	Looper Bar Bushing(Left)	下勾針驅動軸襯套(左)	1
7	C10007	Screw (M6-1x8)	螺絲	2
8	E10008	Washer	墊片	1
9	C02026	Screw (M4-0.7x4)	螺絲	1
10	B14035	Spring Washer	彈性墊片	1
11				
12	C10012	O-ring(P12)	O型環	1
13	E10013	Looper Bar Guide	下勾針驅動軸導槽	1
14	C10014	Slider	滑塊	1
15	C10015	Slider Holder	滑塊固定座	1
16	C10016	Screw(M3.5-0.6x12)	螺絲	2
17	C10017	Slider Presser	滑塊定位壓塊	1
18				
19	C10019	Thrust Washer	止推墊片	2
20	C10020	Seal Plug	油塞	1
21	C10021	Looper Bar	下勾針棒	1
22	C10022	Slide Block	滑塊	1
23	E10023	Looper Bar Bushing(Right)	下勾針驅動軸襯套(右)	1
24	C10024	Screw(M5-0.8x35)	螺絲	1
25	C10025	Washer	墊片	2
26	C08048	Nut	螺帽	1
27	C10027	Looper Rocker Connecting Rod, C. Set	下勾針搖臂連桿組	1
28	C10028	Looper Rocker Regulating Eccentric	下勾針搖臂可調偏心輪	1
29	C05021	Screw(M5-0.8x5)	止付螺絲	1
30	C10030	Rolling Bearing	滾珠軸承	1
31	C10031	Looper Rocker Connecting Rod	下勾針擦臂連桿	1
32	C10032	Looper Rocker Adjusting Pin	下勾針搖臂調整插銷	1
33	C10033	Spring Pin(Ø1.5x4mm)	插銷	1
34	C10034	Looper Connecting Rod	下勾針連桿	1
35	C06037	Screw(M4-0.7x14)	螺絲	4
36	B29041	Spring Washer	彈簧墊片	2
37	C10037	Connecting Rod Swing-proof	下勾針連桿止震片	2
38	C10038	Looper Driving Lever	下勾針驅動桿	1
39	C07013	Screw(M8-1.25x8)	螺絲	2
40	C10040	Seal Plug	油塞	1
41	C10041	Looper Rocker Arm	下勾針搖臂	1
42	C06040	Screw(M6-1x16)	螺絲	1
43	C10043	Thrust Washer	推力板	3
44	C10044	Thrust Roller Bearing	推力滾珠軸承	2
45	C10045	Looper Shaft	下勾針主軸	1
46	C10046	Seal Plug	油塞	2

E11



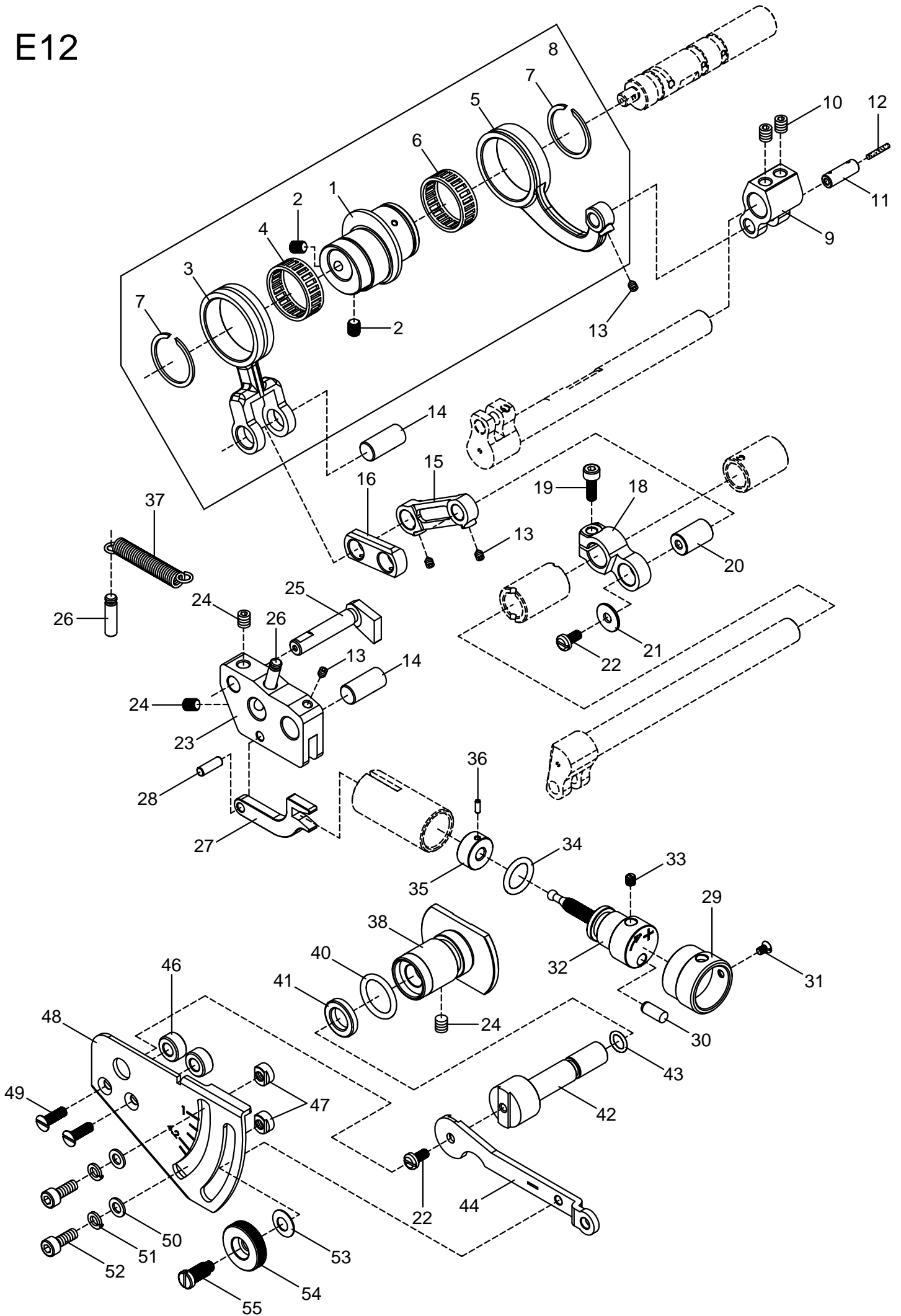
FEED DRIVING CONTROL MECHANISM

送料具驅動控制機構

E11

Ref.No	Parts.No	Description	品名	Amt.Req.
1	E11001	Main Feed Bar	主送料牙架	1
2	E11002	Differen Feed Bar	差動送料牙架	1
3	E11003	Differen Feed Bar Connection Block	差動送料牙連接塊	1
4	C02041	Screw(M4-0.7x6)	螺絲	1
5	E11005	Slide Block	滑塊	2
6	E11006	Main Feed Bar Rocker Arm	主送料擺臂	1
7	E11007	Screw(M4-0.7x10)	螺絲	3
8	E11008	Pin	梢	1
9	C01014	Screw (M3-0.5x3)	螺絲	1
10	E11010	Main Feed Bar Connection	主送料連桿	1
11				
12	E11012	Oil Wick	油線	2
13	E11013	Spacer	隔環	2
14	E11014	Screw(M5-0.8x15)	螺絲	2
15	E11015	Differen Feed Bar Rocker Arm	差動送料擺臂	1
16	C07004	Screw(M4-0.7x10)	螺絲	1
17	E11017	Pin	插梢	1
18	E11018	Washer	墊片	1
19	A07011	Screw (M3.5-0.6x7.8)	螺絲	1
20	E11020	Differen Feed Bar Connection	差動送料連桿	1
21				
22				
23	E11023	Crank Shift	曲軸	1
24	E11024	Collar	固定環	6
25	E02008	Screw(M3-0.5x8)	螺絲	8
26	E11026	Crank Shift	曲軸	2
27				
28				
29	R11001	Main Feed Dog	主送料齒	1
30				
31	F11101	Differen Feed Dog	差動送料齒	1
32	F11201	Aux Feed Dog	輔助送料齒	1
33	E11033	Screw (M2.5-0.45x4.5)	螺絲	1
34	E11034	Feed Bar Guide(Left)	牙架左擋塊	1
35	E11035	Screw(M3-0.5x10)	螺絲	2
36	E11036	Crank Shaft	送料曲柄軸	1
37	E11037	Link	連桿	1
38	C01014	Screw (M3-0.5x3)	螺絲	1
39	E11039	Pin	梢	1
40	E11040	Lever	曲柄	1
41	U09022	Screw (M4-0.7x8)	螺絲	1
42	E11042	Shaft	軸	1
43				
44	E11044	Oil Wick	油線	1
45	E11045	Plug	孔塞	4
46	E11046	Crank Shaft	送料曲柄軸	1
47	E11047	Link	連桿	1
48	E11048	Pin	梢	1
49	E11049	Screw(M4-0.7x3)	螺絲	1
50	E11050	Lever	曲柄	1
51	E11051	E-Ring	E形扣環	1
52				
53	E11053	Link	連桿	1
54	C01014	Screw (M3-0.5x3)	螺絲	1
55	E11055	Pin	梢	1
56	E11056	Rocker Arm	擺臂	1
57	F11001	Differen Feed Dog Asm.	差動送料齒組件	1

E12



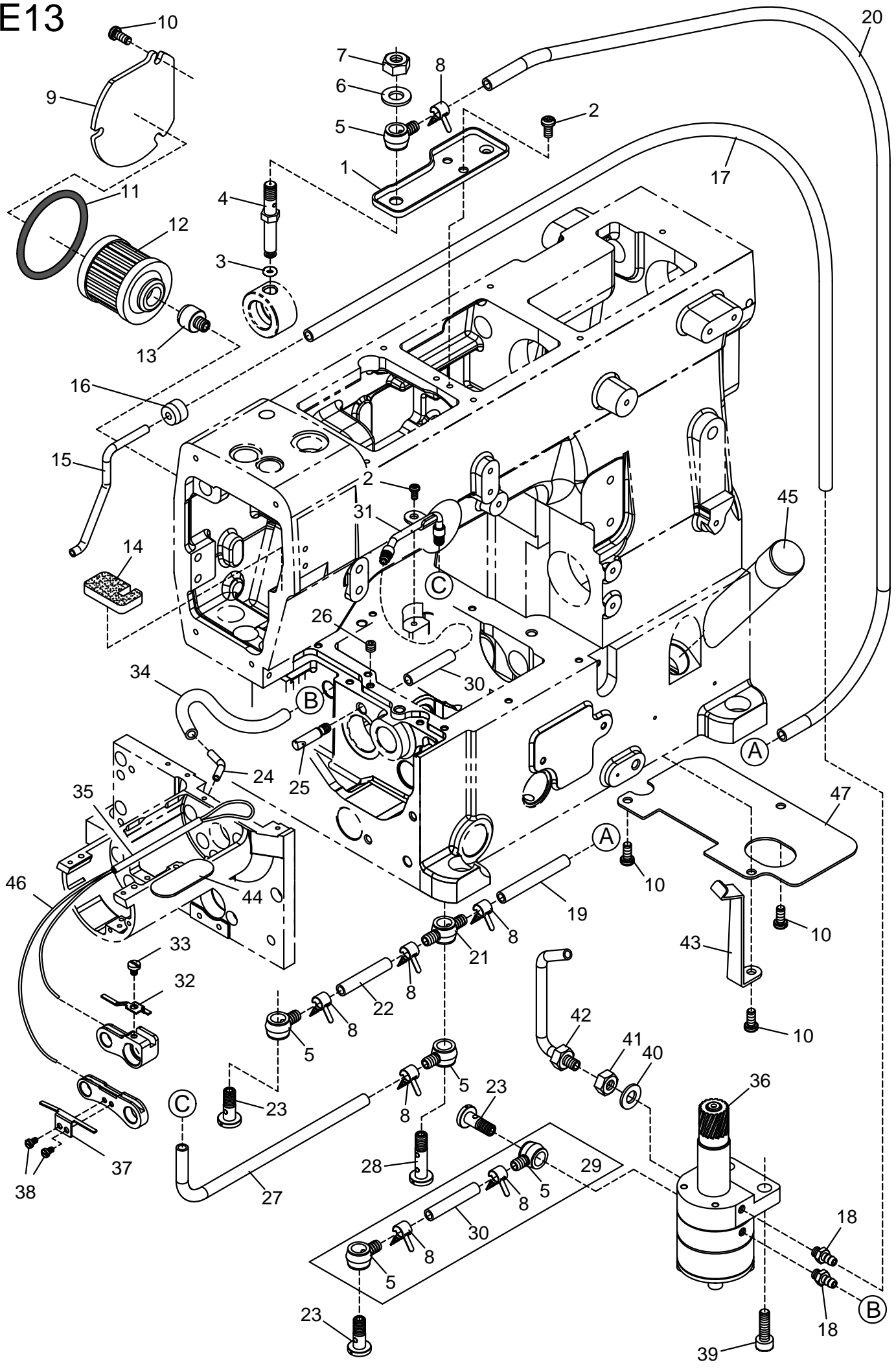
FEED DRIVING MECHANISM

送料具驅動機構

E12

Ref.No	Parts.No	Description	品名	Amt.Req.
1	E12001	Eccentric	偏心輪	1
2	C05021	Screw(M5-0.8x5)	止付螺絲	2
3	E12003	Connectric Rod	連桿	1
4	C12012	Roller Bearing	滾珠軸承	1
5	E12005	Connectric Rod	連桿	1
6	C12012	Roller Bearing	滾珠軸承	1
7	C12009	Retaining Ring	固定環	2
8	E12008	Feed Lift Connecting Rod, C. Set	送料連桿組件	1
9	E12009	Differential Lever	差動送料曲柄	1
10	C02021	Screw(M6-1x6)	螺絲	2
11	E12011	Pin	銷	1
12	E12012	Oil Wick	油線	1
13	C08057	Screw(M4-0.7x4)	止付螺絲	3
14	C12007	Feed Bar Connecting Rod Pin	連桿插銷	2
15	E12015	Feed Bar Link (Long)	送料連桿(長)	1
16	C12006	Feed Bar Link(Short)	送料具連桿(短)	1
17				
18	E12018	Lever	曲柄	1
19	C11014	Screw(M5-0.8x12)	螺絲	1
20	E12020	Pin	梢	1
21	E12021	Washer	墊片	1
22	C01025	Screw (M4-0.7x8)	螺絲	2
23	E12023	Main Feed Bar Bracket	送料調節座	1
24	C02021	Screw(M6-1x6)	螺絲	3
25	E12025	Guide	擋桿	1
26	C08045	Knock Pin(Ø5x20mm)	插銷	2
27	E12027	Link	頂桿	1
28	E12028	Pin	梢	1
29	E12029	Knob	差動調節鈕	1
30	E12030	Pin	梢	1
31	E12031	Screw(M3-0.5x5)	螺絲	1
32	E12032	Stud	差動調節螺桿	1
33	C02026	Screw (M4-0.7x4)	螺絲	1
34	C10012	O-ring(P12)	O型環	1
35	E12035	Nut	螺帽	1
36	C05018	Spring Pin(Ø2x6mm)	固定銷	1
37	E12037	Spring	彈簧	1
38	E12038	Bushing	套筒	1
39				
40	E12040	O-Ring(P16)	O形油環	1
41	E12041	Oil Sesl	油封	1
42	E12042	Shaft	軸	1
43	E12043	O-Ring(P7)	O形油環	1
44	E12044	Differential Lever	差動調節桿	1
45				
46	E12046	Spacer	隔環	2
47	C11045	Main Feed Lever Stopper	主送料拉柄固定子	2
48	E12048	Main Feed Graduations	主送料刻度板	1
49	E12049	Screw(M4-0.7x13)	螺絲	2
50	B25024	Washer	墊片	2
51	B14006	Spring Washer	彈性墊片	2
52	C11048	Screw(M5-0.8x8)	螺絲	2
53	C11035	Conical Spring Washer	錐形彈簧墊圈	1
54	E12054	Lock Nut	固定螺帽	1
55	C11037	Screw(M6-1x8.5, M4.5-0.5x3)	螺絲	1

E13



LUBRICATING MECHANISM

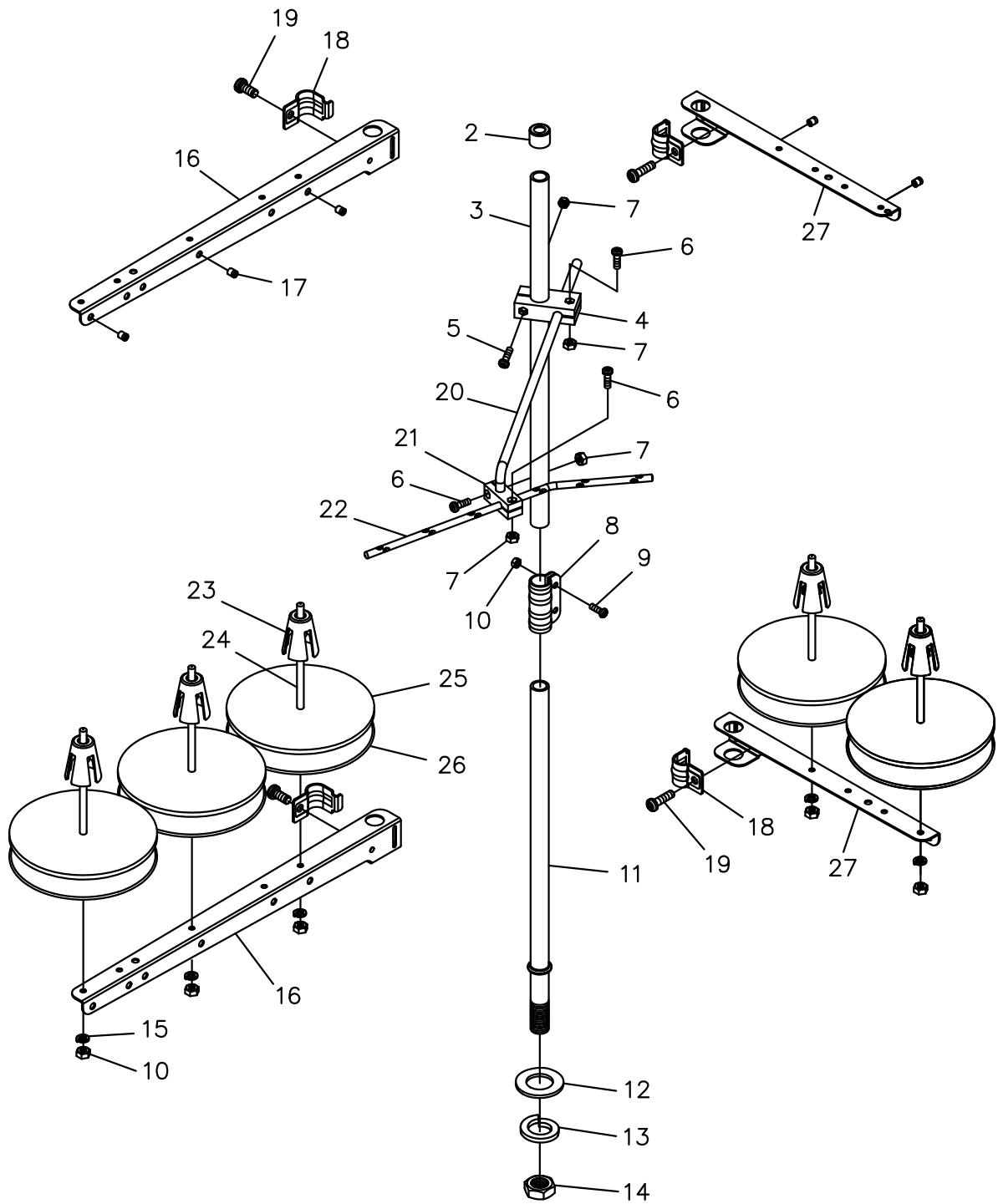
潤滑機構

E13

Ref.No	Parts.No	Description	品名	Amt.Req.
1	C13001	Oil Receiver	潤滑油接收盤	1
2	C02044	Screw (M4-0.7x5)	螺絲	3
3	C13003	O-ring(P3)	O型環	1
4	C13004	Oil Sight Top Nozzle	外視油管上噴嘴	1
5	C13005	Oil Tube Joint, One Way	油管接頭(單向)	5
6	C11035	Conical Spring Washer	錐形彈簧墊圈	1
7	C09009	Nut	螺帽	1
8	C13008	Oil Tube Clamp	緊束環	7
9	C13009	Oil Filter Cover	濾油器蓋	1
10	C01025	Screw (M4-0.7x8)	螺絲	6
11	C13011	O-ring(P42)	O型環	1
12	C13012	Oil Filter	濾油器	1
13	C13013	Oil Filter Connector	濾油器連接管	1
14	C13014	Felt	吸油棉	1
15	C13015	Suction Pipe	迴油管	1
16	C13016	Suction Pipe Bushing	迴油管襯套	1
17	C13017	Oil Tube(3x5x440mm)	油管	1
18	C13018	Bamboo Joint	竹形接合螺絲	2
19	C13019	Oil Tube(2x4x35mm)	油管	1
20	C13020	Oil Tube(4x6x500mm)	油管	1
21	C13021	Oil Tube Joint, Two way	油管接頭(雙向)	1
22	C13022	Oil Tube(4x6x37mm)	油管	1
23	C13023	Fitting Stud(Short)	放油螺絲(短)	3
24	E04033	Suction Pipe	吸油管	1
25	E04035	Lower Shaft Oiling Outlet	下軸給油管	1
26	C02026	Screw (M4-0.7x4)	螺絲	1
27	E13027	Oil Tube(4x6x110mm)	油管	1
28	C13028	Fitting Stud(Long)	放油螺絲(長)	1
29	C13029	Oil Tube(Short), Complete Set	油管組(短)	1
30	C13030	Oil Tube(4x6x31mm)	油管	2
31	E13031	Lower Shaft Oiling Shower	下軸噴油器	1
32	E11011	Oil Wick Defender	油線固定片	1
33	C03049	Screw(M2.5-0.45x3.5)	螺絲	1
34	E13034	Oil Tube(3x5x450mm)	油管	1
35	E04032	Pipe	油芯管	1
36	C13036	Oil Pump, Complete Set	油泵組	1
37	E11021	Oil Wick Defender	油線固定片	1
38	E11022	Screw(M2-0.4x3.5)	螺絲	2
39	C13039	Screw (M6-1x18)	螺絲	2
40	C13040	Seal	密合墊片	1
41	C08048	Nut	螺帽	1
42	C13042	Oil Nozzle for Worm Gear	驅動蝸齒組噴油嘴	1
43	C13043	Oil Tube Stay	油管固定架	1
44	E13044	Draining Felt	吸油棉	1
45	C13045	Oil Sight Gauge	外視油量計	1
46	E13046	Oil Wick	油芯	1
47	C13044	Dust Proof Plate	防塵蓋	1

E14

1



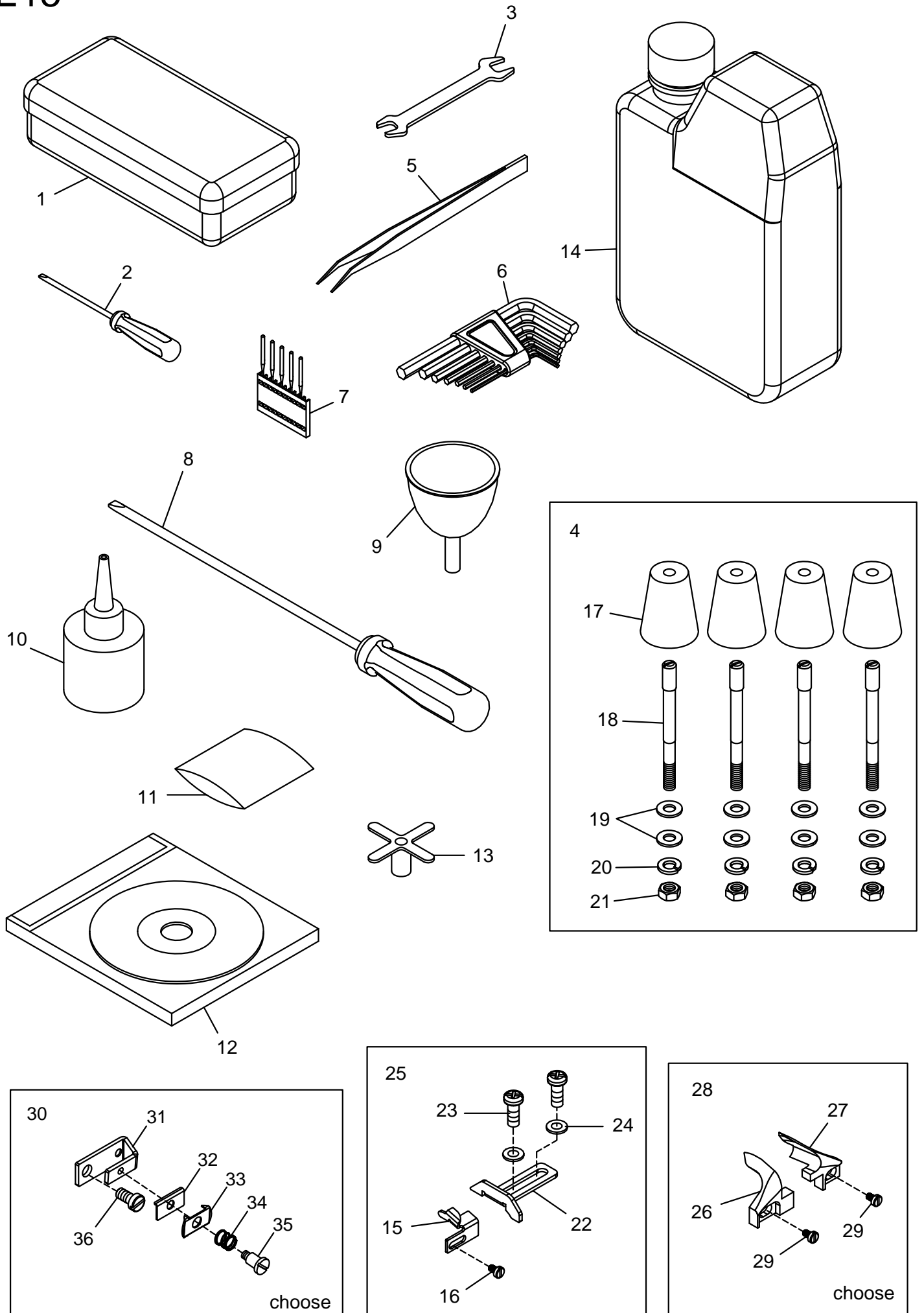
THREAD STAND

線架組

E14

Ref.No	Parts.No	Description	品名	Amt.Req.
1	C14001	Thread Stand, C. Set(5 Spools Type)	線架(五線用)	1
2	B16002	Column Cap	柱頭蓋	1
3	B16003	Column Pipe(Upper)	上線柱	1
4	B16004	Thread Guide Holder(Large)	過線桿固定座(大)	1
5	B16005	Screw(M4-0.7×20)	螺絲	1
6	B16006	Screw(M4-0.7×12)	螺絲	3
7	B16007	Nut	螺帽	4
8	B16008	Column Pipe Connector	線柱接頭	1
9	B16009	Screw(M5-0.8×13)	螺絲	2
10	B16010	Nut	螺帽	7
11	B16011	Column Pipe(Lower)	下線柱	1
12	B16012	Washer	墊片	1
13	B16013	Spring Washer	彈簧墊片	1
14	B16014	Nut	螺帽	1
15	B16015	Spring Washer	彈簧墊片	5
16	B16016	Thread Hanger(3 Spools Type)	3孔過線吊臂	2
17	B16017	Thread Eyelet	過線孔	5
18	B16018	Thread Hanger Holder	過線吊臂固定座	4
19	B16019	Screw(M6-1×15)	螺絲	4
20	B16020	Thread Guide Arm	過線桿連接臂	1
21	B16021	Thread Guide Holder(Small)	過線固定座(小)	1
22	B16022	Thread Guide	過線孔	1
23	B16023	Spool Cushion	線軸避震座	5
24	B16024	Spool Pin	線軸柱	5
25	B16025	Spool Mat	線軸墊	5
26	B16026	Spool Seat Disc	線軸底盤	5
27	C14027	Thread Hanger(2 Spools Type)	2孔過線吊臂	2

E15



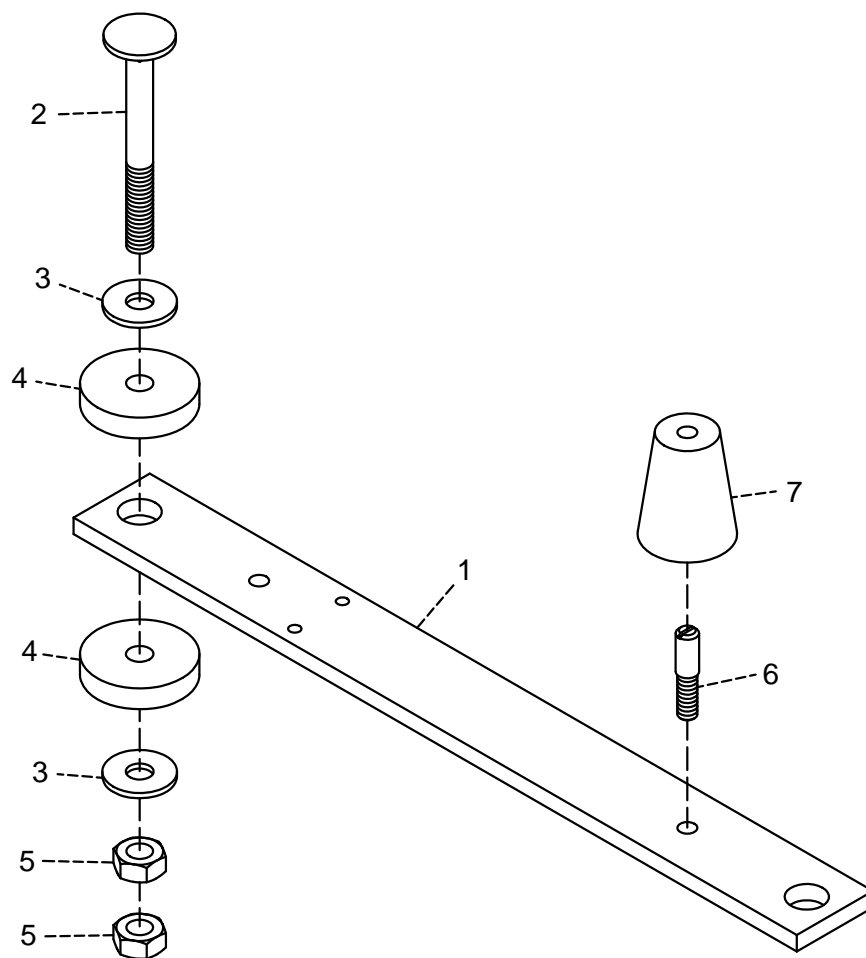
ACCESSORIES (1)

附件 (1)

E15

Ref.No	Parts.No	Description	品名	Amt.Req.
1	B15001	Attachment Box	附件盒	1
2	B15002	Screwdriver	螺絲起子	1
3	B15004	Wrench (8mm-10mm)	板手 (8mm-10mm)	1
4	C15004	Supporting Board Rubber Cushion, C. Set	避震墊組	1
5	B15010	Thread Tweezers	穿線夾	1
6	C15006	Hexagonal Wrench, C. Set	六角板手組	1
7	C07006	Needle(UYx128 GAS)	針	5
8	B15005	Screwdriver	螺絲起子	1
9	B15021	Funnel	漏斗	1
10	B15020	Oiler	油壺	1
11	B15026	Drier	乾燥劑	1
12	E15012	CD	光碟片	1
13	B15132	Stable Cap	穩定套	6
14	C15115	Oil	潤滑油	1
15	E02019	Fabric Guide-Left	擋布板-左	1
16	C03049	Screw(M2.5-0.45x3.5)	螺絲	1
17	C37001	Oil Reservoir Rubber Cushion	集油器橡膠避震座	4
18	C37002	Setting Screw(M6-1x63)	安置螺絲	4
19	B25022	Washer	墊片	8
20	B14035	Spring Washer	彈性墊片	4
21	C09009	Nut	螺帽	4
22	E02034	Fabric Guide-Right	擋布板-右	1
23	C01025	Screw (M4-0.7x8)	螺絲	2
24	C03030	Washer	墊片	2
25	E15025	Fabric Guide, C. Set	擋布板組	1
26	E15026	Fabric Guide(Left)	擋布板(左)	1
27	E15027	Fabric Guide(Right)	擋布板(右)	1
28	E15028	Fabric Guide, C. Set	擋布板組	1
29	U09012	Screw (M2.5-0.45x5.2)	螺絲	2
30	C15023	Needle Thread Retainer Support, C. Set	針線固定器支架組	1
31	C03017	Needle Thread Retainer Support	針線固定器支架	1
32	C07030	Needle Thread Guide	針線導板	1
33	C07031	Needle Thread Holder Stopper	針線限制支架	1
34	C03052	Looper Thread Retainer Spring	底線彈簧	1
35	C03056	Screw(1/8-44x2.2)	螺絲	1
36	C02017	Screw (M4-0.7x8)	螺絲	1

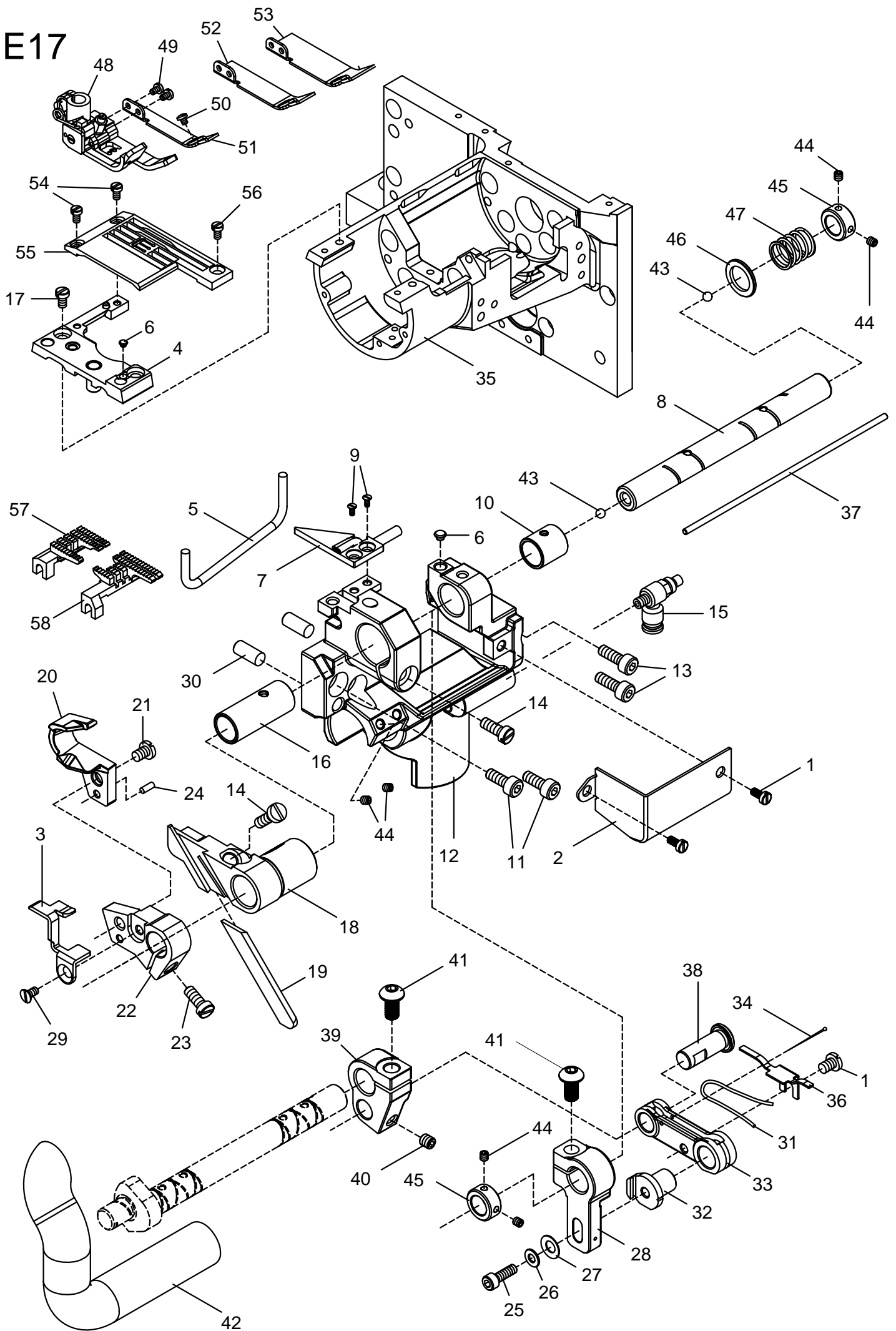
E16



ACCESSORIES (2)**附件 (2)****E16**

Ref.No	Parts.No	Description	品 名	Amt.Req.
1	C17001	Supporting Board	油槽支撐板	2
2	C17002	Screw (M8-1.25x75)	螺絲	4
3	C17003	Washer	墊片	8
4	C17004	Supporting Board Rubber Cushion	避震墊	8
5	C17005	Nut	螺帽	8
6	C37022	Setting Screw(M6-1x16)	安置螺絲	4
7	C37001	Oil Reservoir Rubber Cushion	集油器橡膠避震座	4

E17



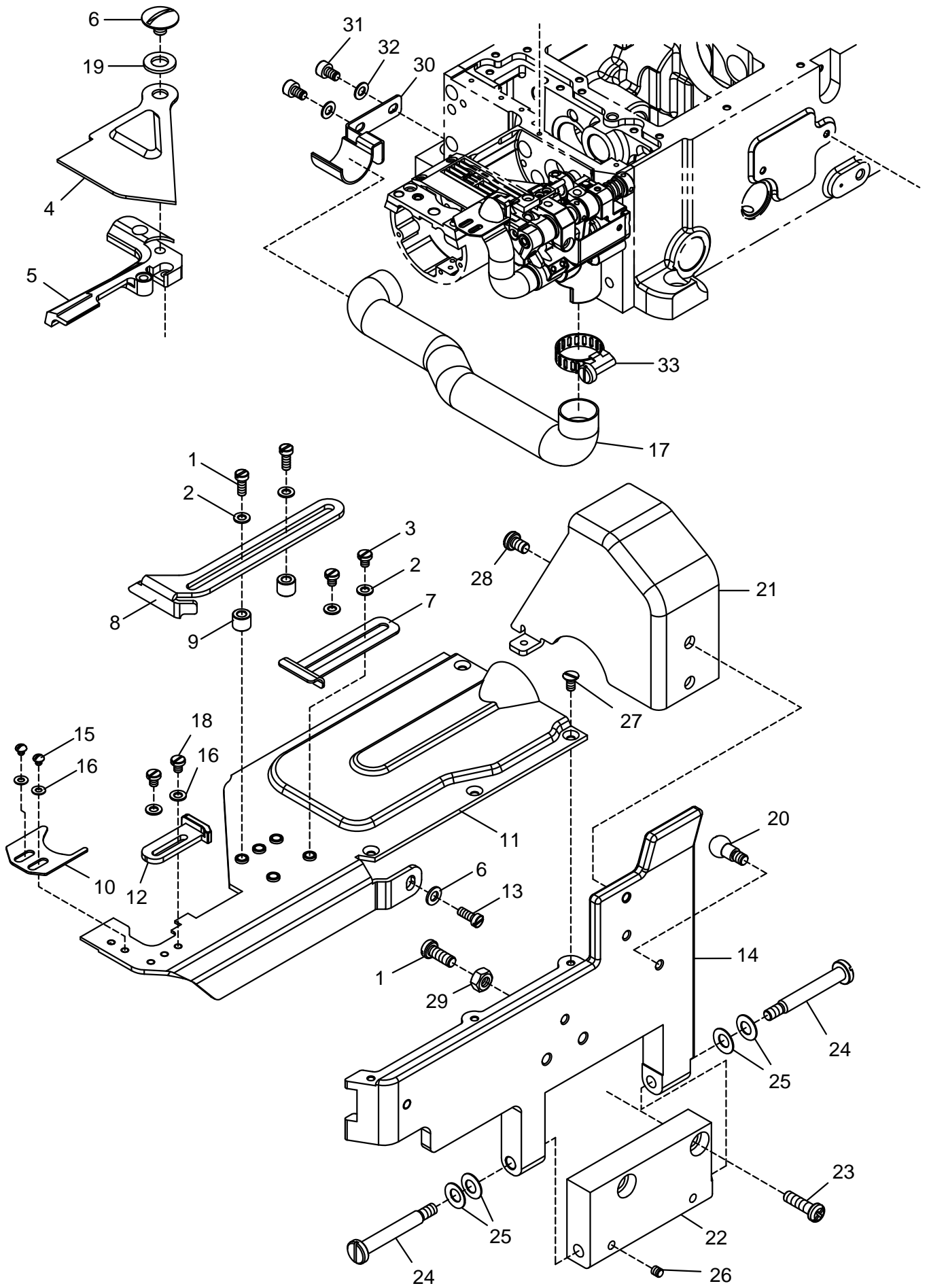
812 KNIFE DRIVING MECHANISM

812切刀驅動機構

E17

Ref.No	Parts.No	Description	品名	Amt.Req.
1	C04049	Screw (M3-0.5x6.5)	螺絲	3
2	E17002	Cover	護蓋	1
3	E17003	Safety Plate Holder	護指擋片	1
4	E17004	Needle Plate Seat	針板架	1
5	E17005	Seal	防油環	1
6	E02018	Rubber Cushion	緩衝墊	2
7	E17007	Blow Tube	吹氣管	1
8	E17008	Shaft	軸	1
9	E17009	Screw(M2.5-0.45x6)	螺絲	2
10	E17010	Bushing	襯套	1
11	E11007	Screw(M4-0.7x10)	螺絲	2
12	E17012	Lower Knife Holder Bracket	刀台	1
13	C02002	Screw(M4-0.7x12)	螺絲	2
14	C02031	Screw(M4-0.7x12)	螺絲	2
15	C24047	Speed Controller	節流閥	1
16	E17016	Bushing	襯套	1
17	C02017	Screw (M4-0.7x8)	螺絲	2
18	E17018	Lower Knife Holder	下刀刀座	1
19	E17019	Lower Knife	下刀	1
20	E17020	Upper Knife	上刀	1
21	C24016	Screw (M4-0.7x5.5)	螺絲	1
22	E17022	Upper Knife Holder	上刀刀座	1
23	C07004	Screw(M4-0.7x10)	螺絲	1
24	C24014	Spring Pin	彈簧銷	1
25	E17025	Screw(M3.5-0.6x14)	螺絲	1
26	E17026	Washer	墊片	1
27	E17027	Disk Washer	碟形墊片	1
28	E17028	Upper Knife Adjusting Lever	調節曲柄	1
29	E17029	Screw(M3-0.5x4.5)	螺絲	1
30	C24002	Knock Pin	定位銷	2
31	E17031	Oil Wick	油線	1
32	E17032	Knife Adjusting Lever Pin	曲柄梢	1
33	E17033	Link	連桿	1
34	C24032	Oil Wick Pin	銷	1
35	E17035	Bed-Front	底座-前	1
36	E17036	Defender	擋片	1
37	E17037	Oil Wick	油線	1
38	E17038	Link Pin	連結梢	1
39	E17039	Link	連桿	1
40	C02026	Screw (M4-0.7x4)	螺絲	1
41	E17041	Screw(M4-0.7x8)	螺絲	2
42	E17042	Suction Pipe	吸風管	1
43	C24007	Plug	孔塞	2
44	C01014	Screw (M3-0.5x3)	螺絲	6
45	C24021	Collar	軸環	2
46	E17046	Washer	墊片	1
47	C24023	Spring	彈簧	1
48	P21056	Presser Foot, C. Set.(5.6mm)	壓腳組	1
49	C24151	Screw (3/32"-56x3.5)	螺絲	2
50	C24152	Screw (3/32"-56x2.7)	螺絲	1
51	C24153	Hinged Type Presser Foot	輔助壓腳底	1
52	C24154	Hinged Type Presser Foot	輔助壓腳底	1
53	C24155	Hinged Type Presser Foot	輔助壓腳底	1
54	U13018	Screw (M3-0.5x5)	螺絲	2
55	S12056	Needle Plate (5.6mm)	針板	1
56	A01027	Screw (9/64-40x8)	螺絲	1
57	R12001	Main Feed Dog	主送布齒	1
58	F12001	Difference Feed Dog	差動送布齒	1

E18



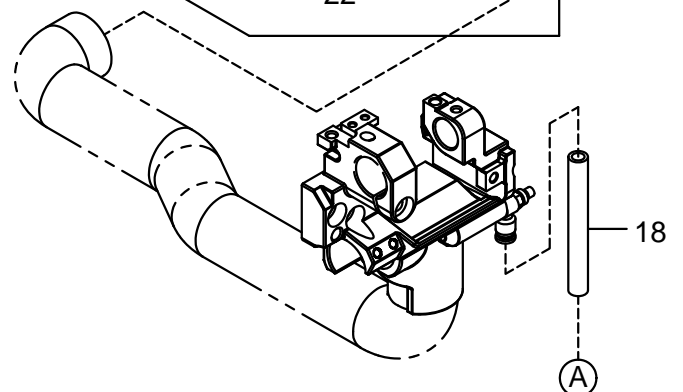
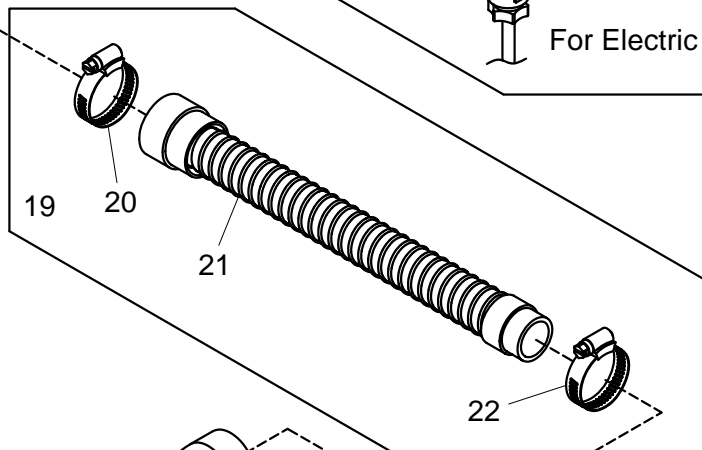
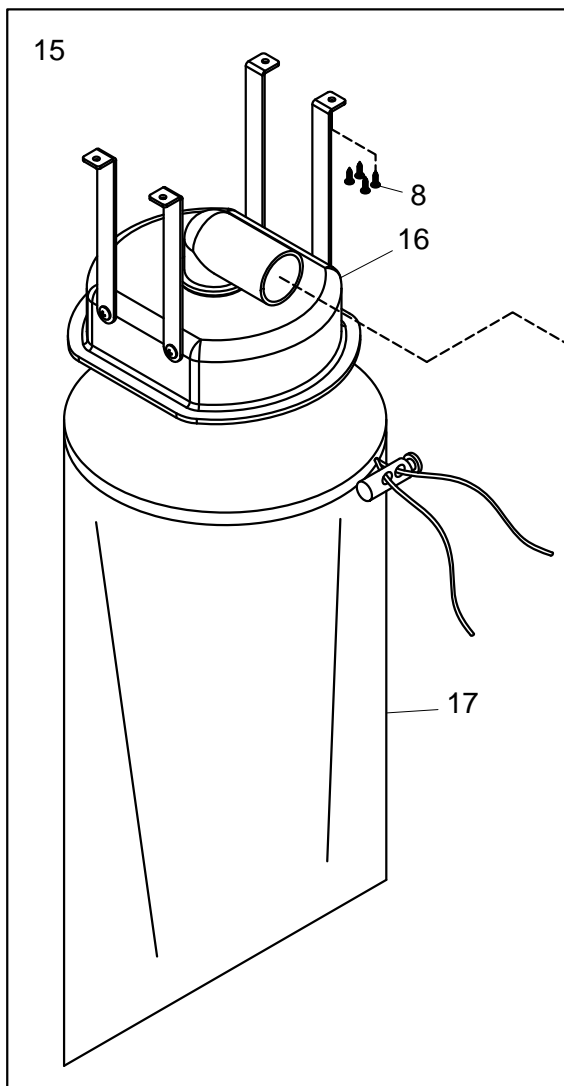
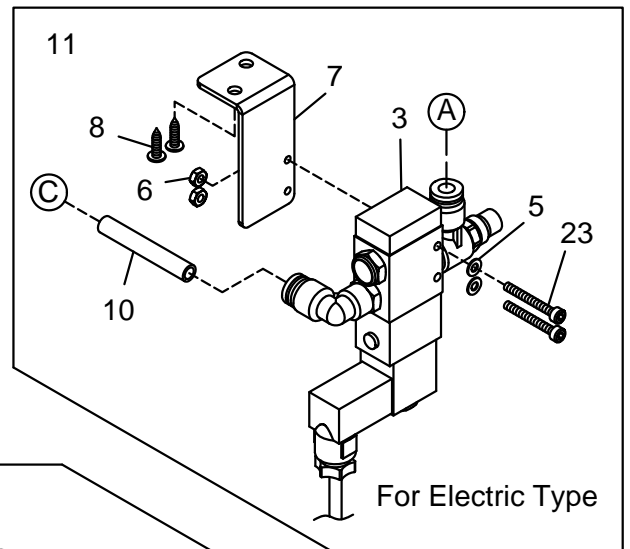
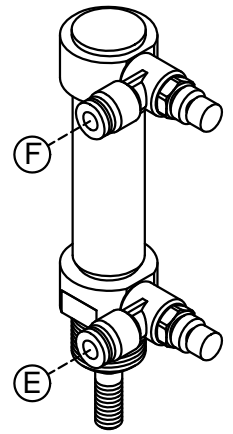
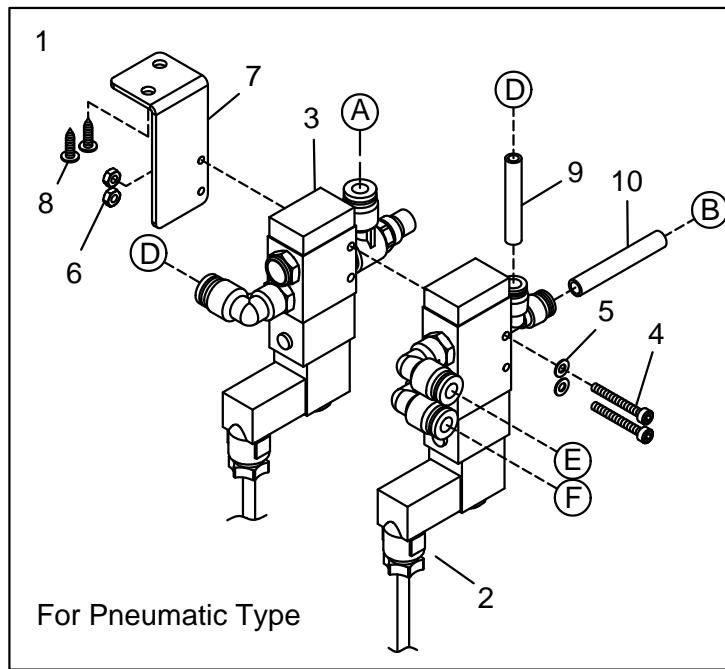
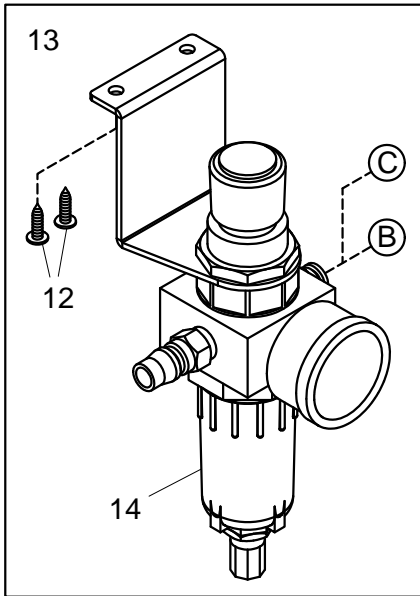
812 MISCELLANEOUS COVERS

812機殼機構

E18

Ref.No	Parts.No	Description	品名	Amt.Req.
1	C02031	Screw(M4-0.7x12)	螺絲	3
2	C03030	Washer	墊片	5
3	U01021	Screw (M4-0.7x5)	螺絲	2
4	E18004	Supplementary Cover	輔助蓋	1
5	E18005	Supplementary Block	輔助塊	1
6	E18006	Screw (M4-0.7x3.2)	螺絲	1
7	E18007	Fabric Guide	導布板	1
8	C25020	Fabric Guide	布導板	1
9	C25021	Space Washer	間隔環	2
10	E18010	Cover	護蓋	1
11	E18011	Front Cover (Upper)	底座前蓋-上	1
12	E18012	Fabric Guide	導布板	1
13	C01025	Screw (M4-0.7x8)	螺絲	1
14	E18014	Front Cover (Lower)	底座前蓋-下	1
15	C25031	Screw (M3-0.5x3)	螺絲	2
16	C04052	Washer	墊片	4
17	E18017	Suction Pipe	吸風管	1
18	C04049	Screw (M3-0.5x6.5)	螺絲	2
19	C11035	Conical Spring Washer	錐形彈簧墊圈	1
20	C02042	Screw(M4-0.7x5)	螺絲	1
21	C02039	Thread Take-up Cover(Front)	提線蓋(前)	1
22	C02022	Front Cover Hinge	前蓋絞鏈	1
23	C02023	Screw(M4-0.7x14)	螺絲	2
24	C02024	Screw(M4-0.7x8)	螺絲	2
25	C02025	Conical Spring Washer	錐形彈簧墊圈	4
26	C02026	Screw (M4-0.7x4)	螺絲	2
27	C02038	Screw(M3-0.5x6)	螺絲	4
28	C02041	Screw(M4-0.7x6)	螺絲	2
29	C02029	Nut	螺帽	1
30	C24043	Stitch Plate Support	支架	1
31	C11048	Screw(M5-0.8x8)	螺絲	2
32	B25024	Washer	墊片	2
33	C24046	Hose Clamp	管束	2

E19



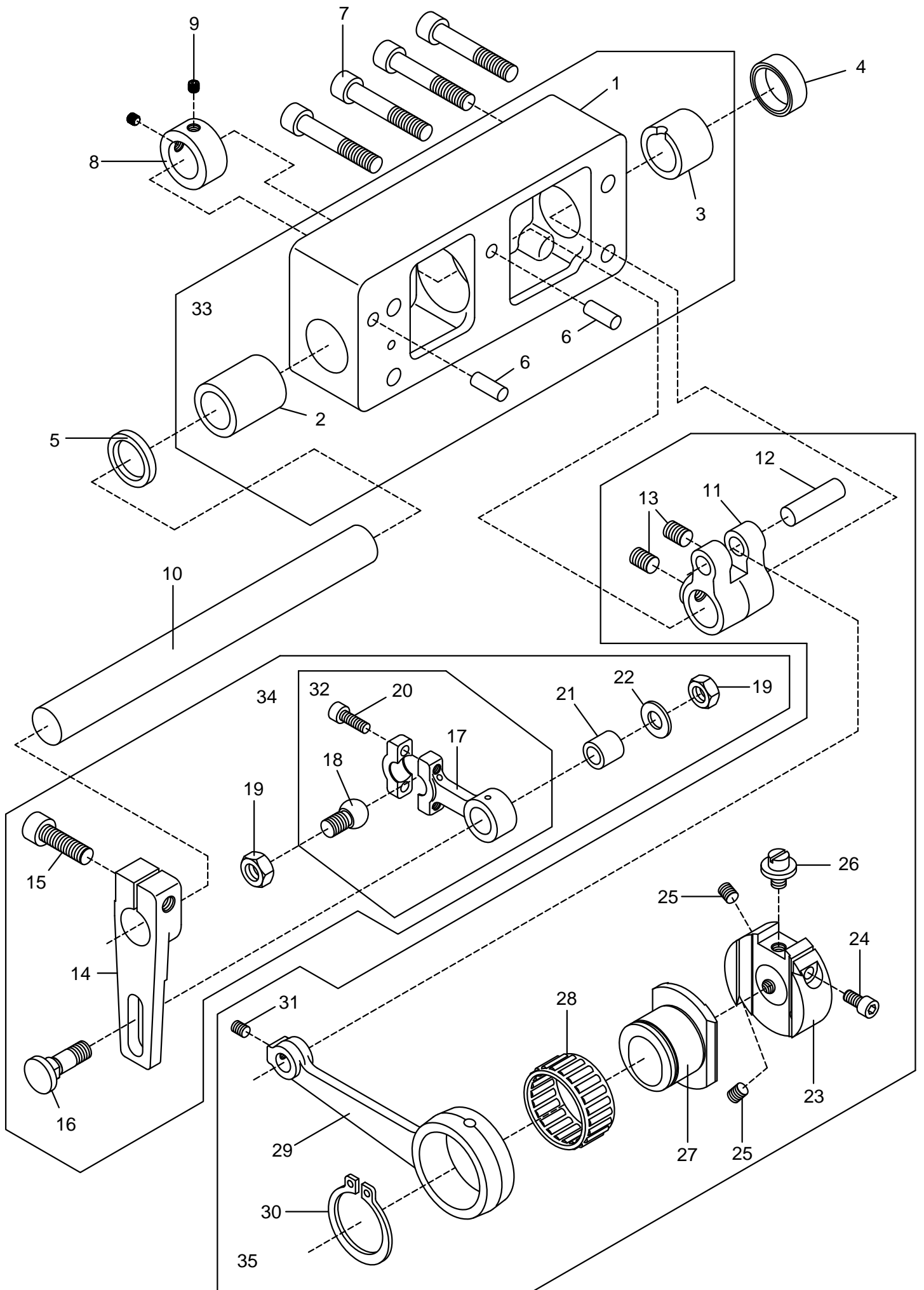
812 ATTACHMENT FOR HEMMING & SEAM COVERING

812專用配件

E19

Ref.No	Parts.No	Description	品名	Amt.Req.
1	C31001	Solenoid Valve, C. Set	電磁閥組	1
2	U05113	Solenoid Valve	電磁閥	1
3	B22118	Solenoid Valve	電磁閥	1
4	U05004	Screw (M3-0.5x45)	螺絲	2
5	C04052	Washer	墊片	2
6	U05006	Nut	螺帽	2
7	U05012	Solenoid Valve Support	電磁閥架	1
8	B17015	Wood Screw	螺絲	6
9	B22123	Air Tube (4x6x250mm)	PU管	1
10	B22125	Air Tube (4x6x200mm)	PU管	1
11	C31011	Solenoid Valve, C. Set	電磁閥組	1
12	B22115	Wood Screw	螺絲	2
13	B22113	Filter Regulator, C. Set	調壓過濾器組	1
14	B22114	Filter Regulator	調壓過濾器	1
15	B17009	Waste Gather System, C. Set	集布袋組	1
16	B17010	Waste Gather Cover	集布蓋	1
17	B17011	Waste Gather Bag	集布袋	1
18	C31018	Air Tube (6x4x800mm)	PU管	1
19	C31019	Take Over, C. Set	接管組	1
20	B17006	Hose Band	管束	1
21	C31021	Spiral Pipe	螺旋管	1
22	C24046	Hose Clamp	管束	1
23	U05014	Screw (M3-0.5x25)	螺絲	2

E20



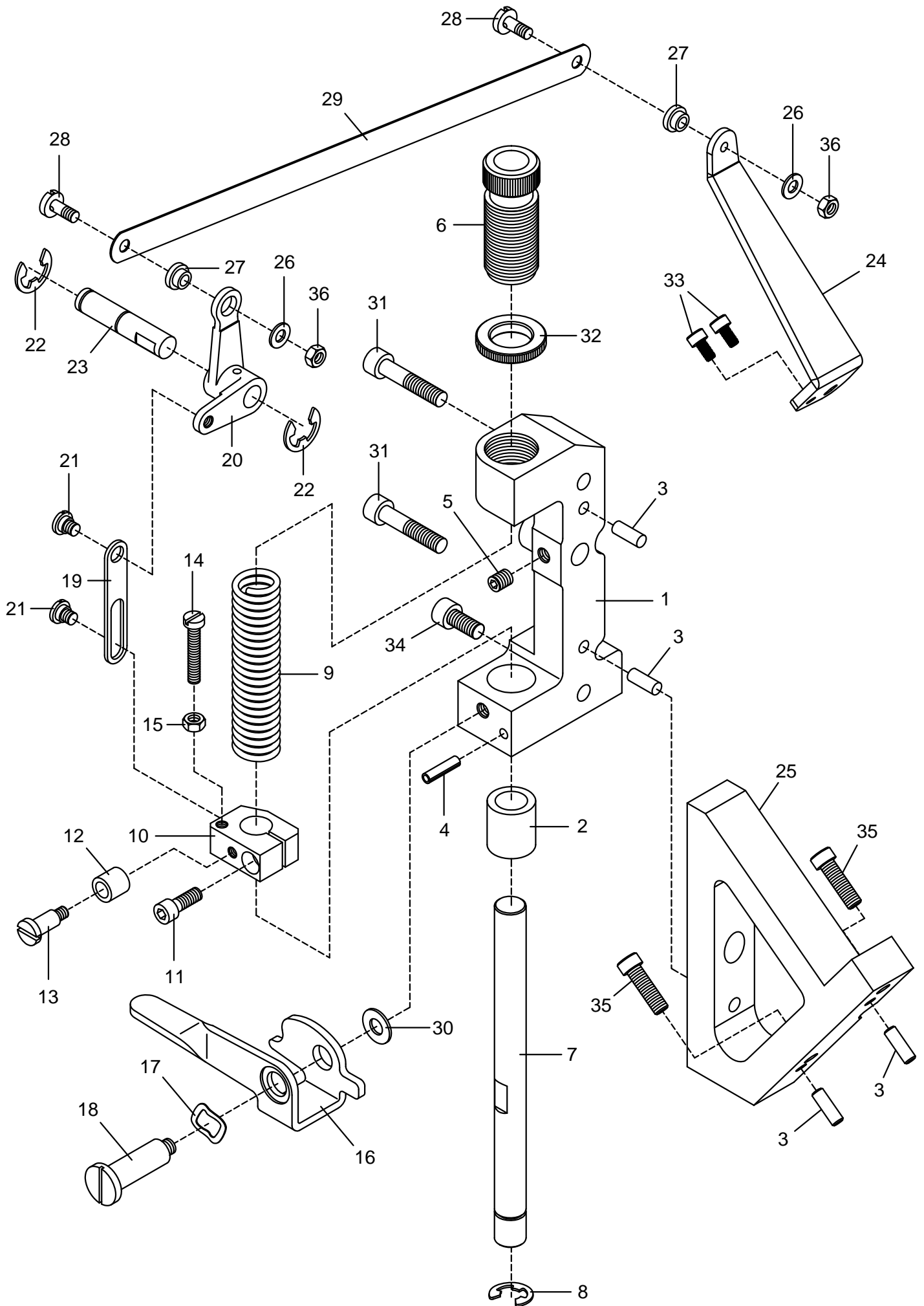
Puller Mechanism For P(1)

輔助拖輪機構(1)

E20

Ref.No	Parts.No	Description	品名	Amt.Req.
1	C20001	Upper Feed Roller Shaft Bracket	拖輪軸固定座	1
2	C20002	Roller Shaft Bushing-Front	拖輪軸套筒-前	1
3	C20003	Roller Shaft Bushing-Rear	拖輪軸套筒-後	1
4	C04036	Seal Plug	止油膠塞	1
5	C20005	Oil Seal	油封	1
6	C20006	Pin	梢	2
7	C20007	Screw(M6-1x35)	螺絲	4
8	C20008	Collar	固定環	1
9	A02024	Screw(SM11/64-40x4.8)	止付螺絲	2
10	C20010	Shaft	拖輪軸	1
11	C20011	Upper Feed Roller Shaft Lever	送料曲柄	1
12	C20012	Pin	插梢	1
13	C05017	Screw(M6-1.0x4.8)	止付螺絲	2
14	C20014	Upper Feed Roller Shaft Rocker Arm	擺臂	1
15	C20015	Screw(M6-1x20)	螺絲	1
16	C20016	Lever Pin	連桿梢	1
17	C20017	Upper Feed Roller Lever Rod	球連桿	1
18	C20018	Rod Ball	球接頭	1
19	A08028	Nut	螺帽	2
20	C20020	Screw(M3.5-0.6x10)	螺絲	2
21	C20021	Upper Feed Roller Lever Rod Sleeve	襯套	1
22	C20022	Washer	墊片	1
23	C20023	Upper Feed Roller Regulator	偏心調節套固定座	1
24	E11007	Screw(M4-0.7x10)	螺絲	1
25	C05021	Screw(M5-0.8x5)	止付螺絲	2
26	C20026	Screw(M5-0.8x6)	調節螺絲	1
27	C20027	Upper Feed Roller Eccentric	偏心調節套	1
28	C12012	Roller Bearing	滾珠軸承	1
29	C20029	Upper Feed Roller Driving Rod	連桿	1
30	C20030	Retaining Ring	C型扣環	1
31	C02026	Screw (M4-0.7x4)	螺絲	1
32	C20032	Upper Feed Roller Lever Rod, C. Set	球連桿組件	1
33	C20033	Upper Feed Roller Shaft Bracket, C. Set	拖輪軸固定座組	1
34	C20034	Upper Feed Roller Shaft Rocker Arm, C. Set	擺臂組	1
35	C20035	Upper Feed Roller Regulator, C. Set	偏心調節組	1

E21



Puller Mechanism For P(2)

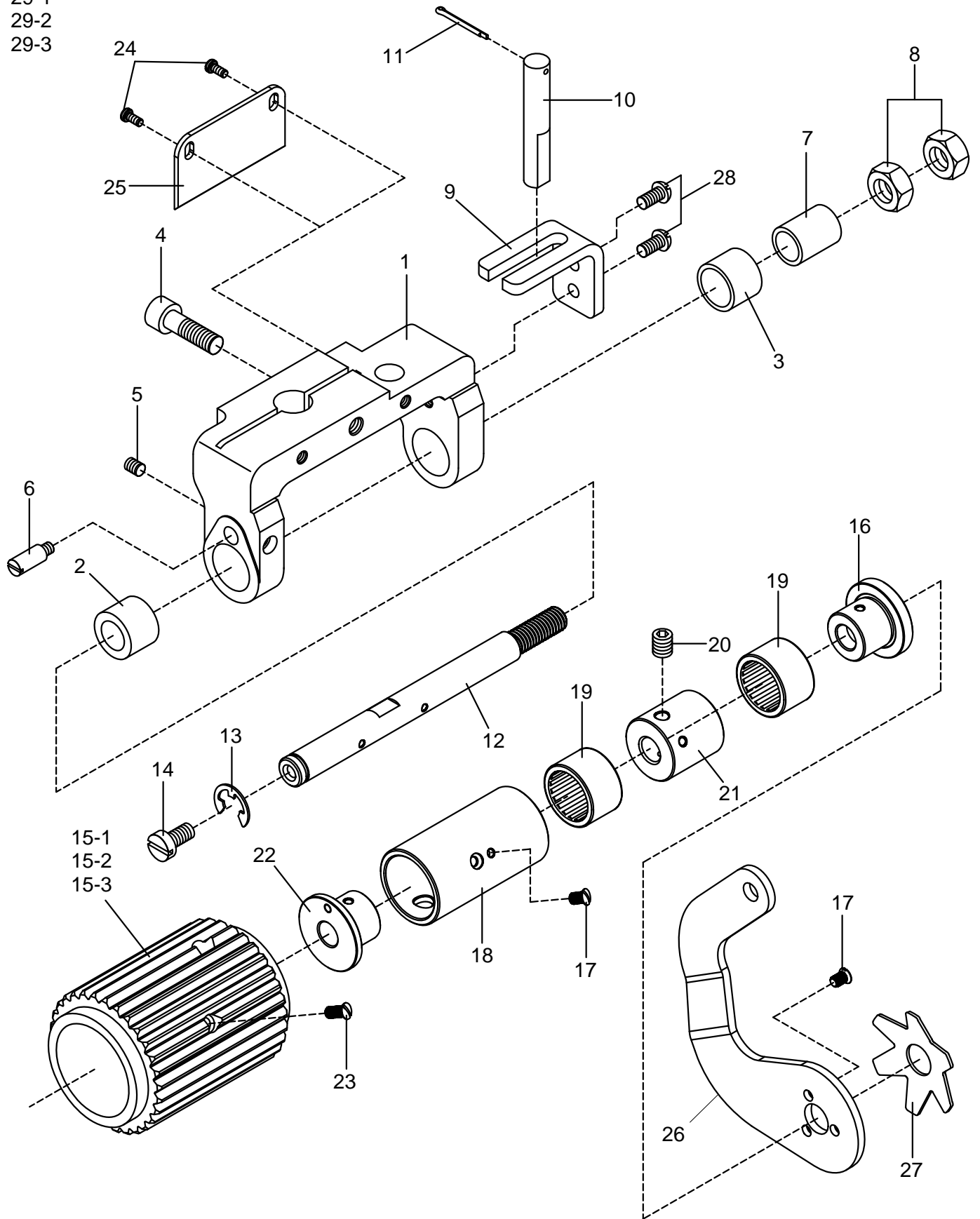
輔助拖輪機構(2)

E21

Ref.No	Parts.No	Description	品名	Amt.Req.
1	C21001	Upper Feed Roller Bracket	拖輪座	1
2	C21002	Roller Press Bar Bushing-Lower	拖輪豎軸套筒-下	1
3	C20006	Pin	梢	4
4	C21004	Stop Pin	彈簧梢	1
5	C02021	Screw(M6-1x6)	螺絲	1
6	C21006	Roller Press Bar Bushing-Upper	拖輪豎軸套筒-上	1
7	C21007	Roller Press Bar	拖輪豎軸	1
8	C21008	Retaining Ring	E型扣環	1
9	C21009	Roller Press Spring	壓縮彈簧	1
10	C21010	Roller Press Spring Bracket	彈簧座	1
11	C21011	Screw(M5-0.8x16)	螺絲	1
12	C21012	Lifting Lever Rod Sleeve	襯套	1
13	C21013	Screw(SM11/64-40x5)	抬階螺絲	1
14	C21014	Screw(SM11/64-40x30)	螺絲	1
15	C21015	Nut	螺帽	3
16	C21016	Upper Feed Roller Lifting Lever	滾輪提把	1
17	C08040	Elastic Washer	波形彈性墊片	1
18	C21018	Screw(M6-1.0x6)	抬階螺絲	1
19	C21019	Lifter Connecting Plate	連接板	1
20	C21020	Upper Feed Roller Lifter	昇降曲柄	1
21	C21021	Screw(SM3/16-32x3)	抬階螺絲	2
22	C21022	Retaining Ring	E型扣環	2
23	C21023	Upper Feed Roller Lifter Pin	昇降曲柄梢	1
24	E21024	Upper Feed Roller Rocker Arm	擺臂	1
25	E21025	Support frame	拖架	1
26	C21026	Washer	墊片	2
27	C21027	Flexible Wire Clamp Bushing	襯套	2
28	C21028	Screw(SM11/64-40x6)	抬階螺絲	2
29	C21029	Lifter Connecting Plate	連接板	1
30	C21030	Washer	墊片	1
31	C21031	Screw(M6-1x32)	螺絲	2
32	C21032	Nut	固定螺帽	1
33	U09022	Screw (M4-0.7x8)	螺絲	2
34	C08047	Screw(M6-1x12)	螺絲	1
35	B2566	Screw (M6-1x20)	螺絲	2
36	A0110	Nut	螺帽	2

E22

29-1
29-2
29-3



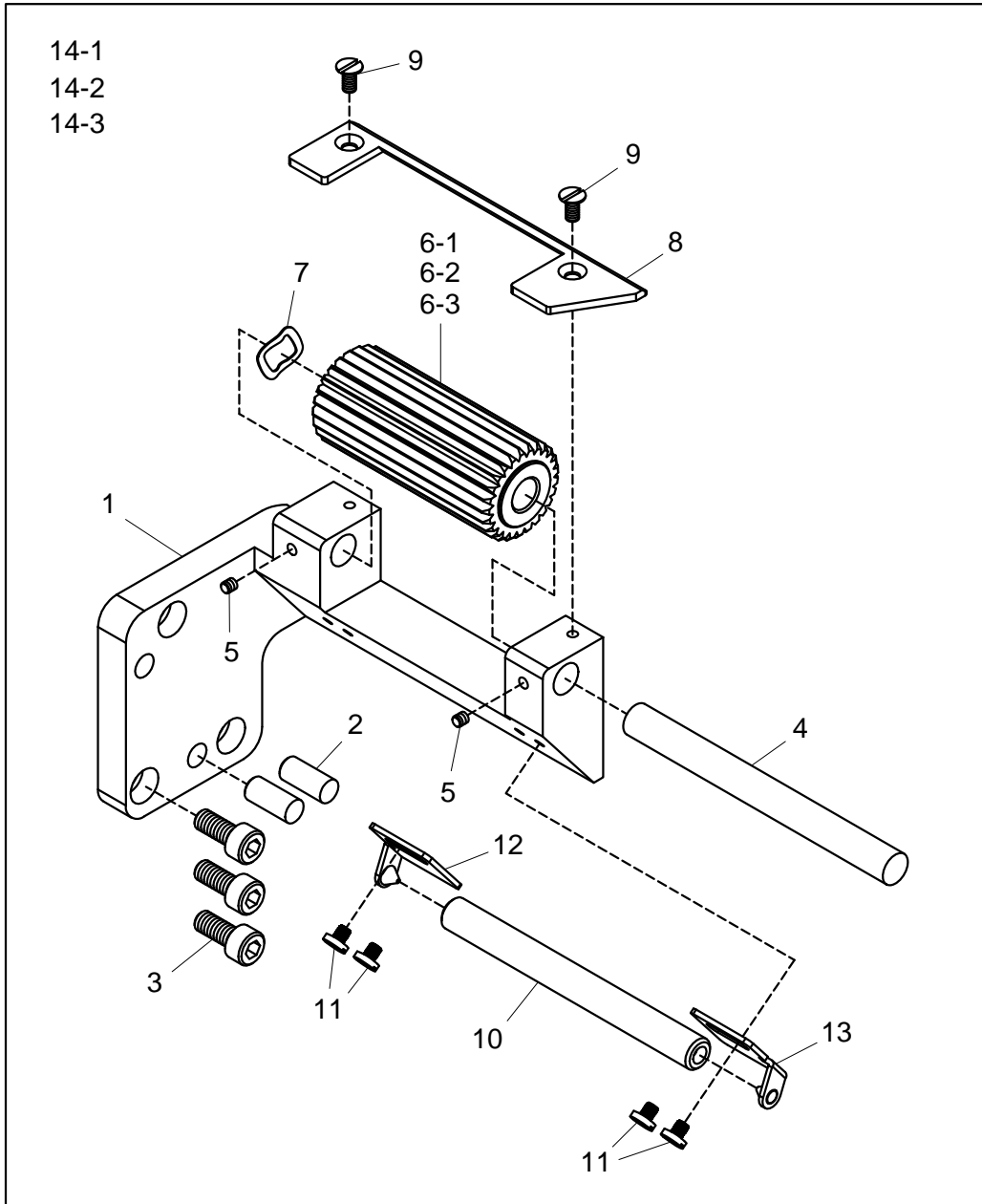
Puller Mechanism For P(3)

輔助拖輪機構(3)

E22

Ref.No	Parts.No	Description	品名	Amt.Req.
1	C22001	Upper Feed Roller Yoke	滾輪座	1
2	C22002	Clutch Driving Shaft Bushing-Left	滾輪軸套筒-左	1
3	C22003	Clutch Driving Shaft Bushing-Right	滾輪軸套筒-右	1
4	C20015	Screw(M6-1x20)	螺絲	1
5	C02026	Screw (M4-0.7x4)	螺絲	1
6	C22006	Stop pin	止動梢	1
7	C22007	Clutch Tension Sleeve	襯套	1
8	C22008	Nut	螺帽	2
9	C22009	Upper Feed Roller Yoke Guide	導引叉	1
10	C22010	Upper Feed Roller Yoke Pin	拖輪導引梢	1
11	C22011	Wire	開口梢	1
12	C22012	Clutch Driving Shaft	滾輪軸	1
13	C22013	Retaining Ring	E型扣環	1
14	C22014	Screw(M5-0.8x7)	螺絲	1
15-1	C22015-1	Upper Feed Roller (P-Type)	粗齒滾輪	1
15-2	C22015-2	Lower Feed Roller (PS-Type)	細齒滾輪	1
15-3	C22015-3	Lower Feed Roller (PF-Type)	平齒滾輪	1
16	C22016	Bearing Bushing-Right	軸承襯套-右	1
17	C22017	Screw(SM9/64-40x6)	沉頭螺絲	6
18	C22018	Clutch Sleeve	滾輪襯套	1
19	C22019	Uni-Directional Bearing	單向軸承	2
20	C02021	Screw(M6-1x6)	螺絲	1
21	C22021	Clutch Spacer	隔環	1
22	C22022	Bearing Bushing-Right	軸承襯套-左	1
23	A0137	Screw (9/64-40x7.8)	螺絲	3
24	C02044	Screw (M4-0.7x5)	螺絲	2
25	C22025	Upper Feed Roller Plate	滾輪擋板	1
26	E22026	Clutch Driving Lever	滾輪連接手柄	1
27	C22027	Clutch Tension Spring	星形彈性壓環	1
28	C02017	Screw (M4-0.7x8)	螺絲	2
29-1	E22029-1	Lower Feed Roller (P-Type), C. Set	粗齒滾輪組	1
29-2	E22029-2	Lower Feed Roller (PS-Type), C. Set	細齒滾輪組	1
29-3	E22029-3	Lower Feed Roller (PF-Type), C. Set	平齒滾輪組	1

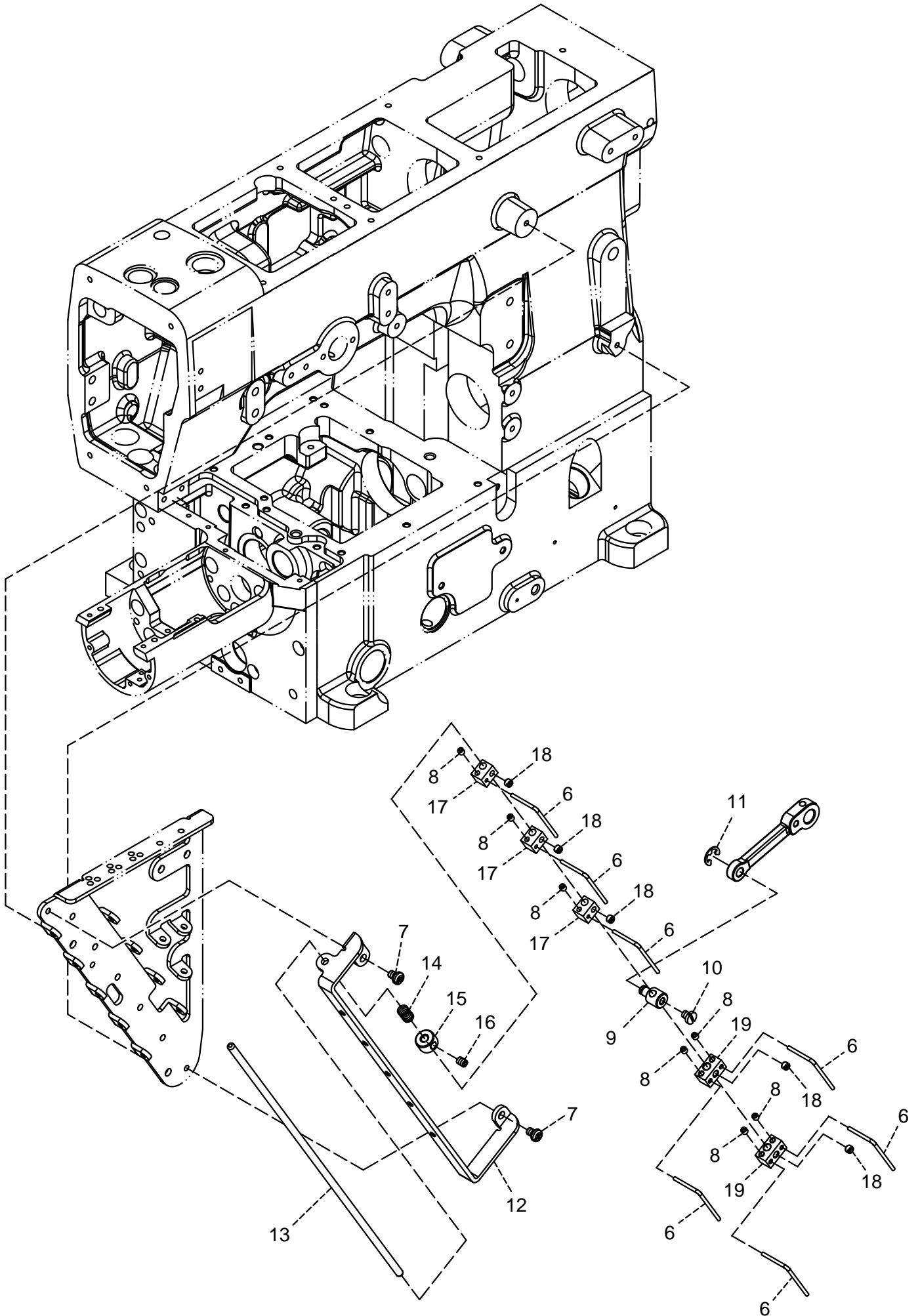
E23



Puller Mechanism For P(4)**輔助拖輪機構(4)****E23**

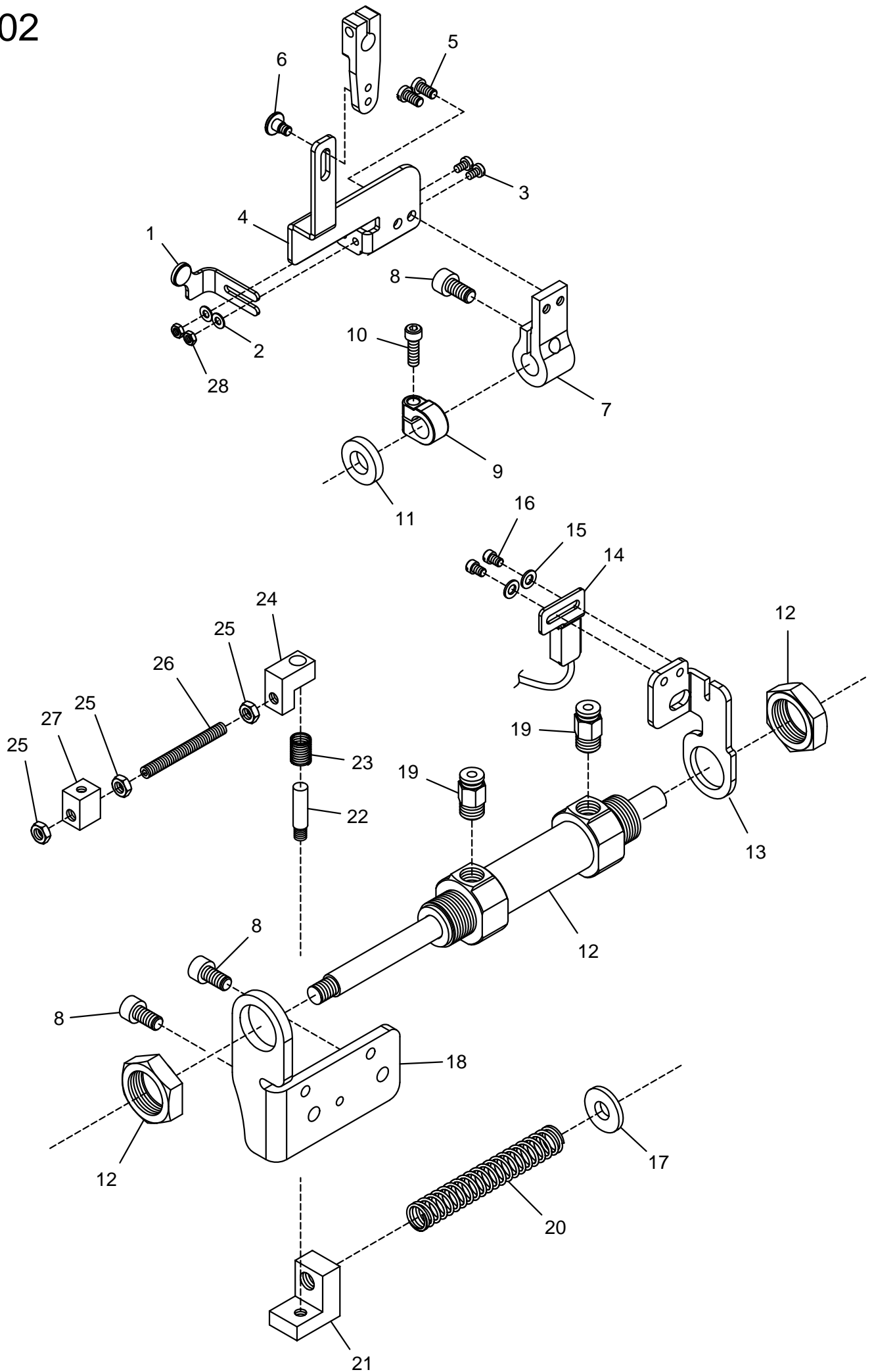
Ref.No	Parts.No	Description	品名	Amt.Req.
1	E23001	Lower Feed Roller Support	下滾輪座	1
2	E01011	Pin	固定梢	2
3	C11014	Screw(M5-0.8x12)	螺絲	2
4	C23004	Lower Feed Roller Shaft	小滾輪軸	1
5	C02026	Screw (M4-0.7x4)	螺絲	2
6-1	C23006-1	Lower Feed Roller (P-Type)	粗齒滾輪	1
6-2	C23006-2	Lower Feed Roller (PS-Type)	細齒滾輪	1
6-3	C23006-3	Lower Feed Roller (PF-Type)	平齒滾輪	1
7	C23007	Elastic Washer	波形彈性墊片	1
8	E23008	Lower Feed Roller Plate	拖輪導板	1
9	C02038	Screw(M3-0.5x6)	螺絲	2
10	E23010	Supplementary Roller	輔助滾軸	1
11	C02049	Screw(M3-0.5x3.5)	螺絲	4
12	C23014	Supplementary Roller Stay-Left	輔助滾軸左擋板	1
13	C23015	Supplementary Roller Stay-Right	輔助滾軸右擋板	1
14-1	E23014-1	Lower Feed Roller (P-Type), C. Set	粗齒滾輪組	1
14-2	E23014-2	Lower Feed Roller (PS-Type), C. Set	細齒滾輪組	1
14-3	E23014-3	Lower Feed Roller (PF-Type), C. Set	平齒滾輪組	1

EU01



Ref.No	Parts.No	Description	品名	Amt.Req.
1				
2				
3				
4				
5				
6	U01025	Thread Pull-off Bar	鬆線鉤	7
7	C02044	Screw (M4-0.7x5)	螺絲	2
8	U01026	Screw (1/8-44x3)	螺絲	7
9	U01020	Thread Pull-off Bar Holder	鬆線桿固定座	1
10	U01021	Screw (M4-0.7x5)	螺絲	1
11	U01022	Retaining Ring	E型扣環	1
12	U01012	Thread Pull-off Eyelet	鬆線過線架	1
13	U01013	Thread Pull-off Bar	鬆線控制桿	1
14	U01014	Swing-proof Spring	彈簧	1
15	U01015	Collar	軸環	1
16	C02026	Screw (M4-0.7x4)	螺絲	1
17	U01017	Thread Pull-off Hook	鬆線鉤固定座	3
18	U01018	Screw (M4-0.7x3)	螺絲	5
19	U01019	Thread Pull-off Hook	鬆線鉤固定座	2

EU02



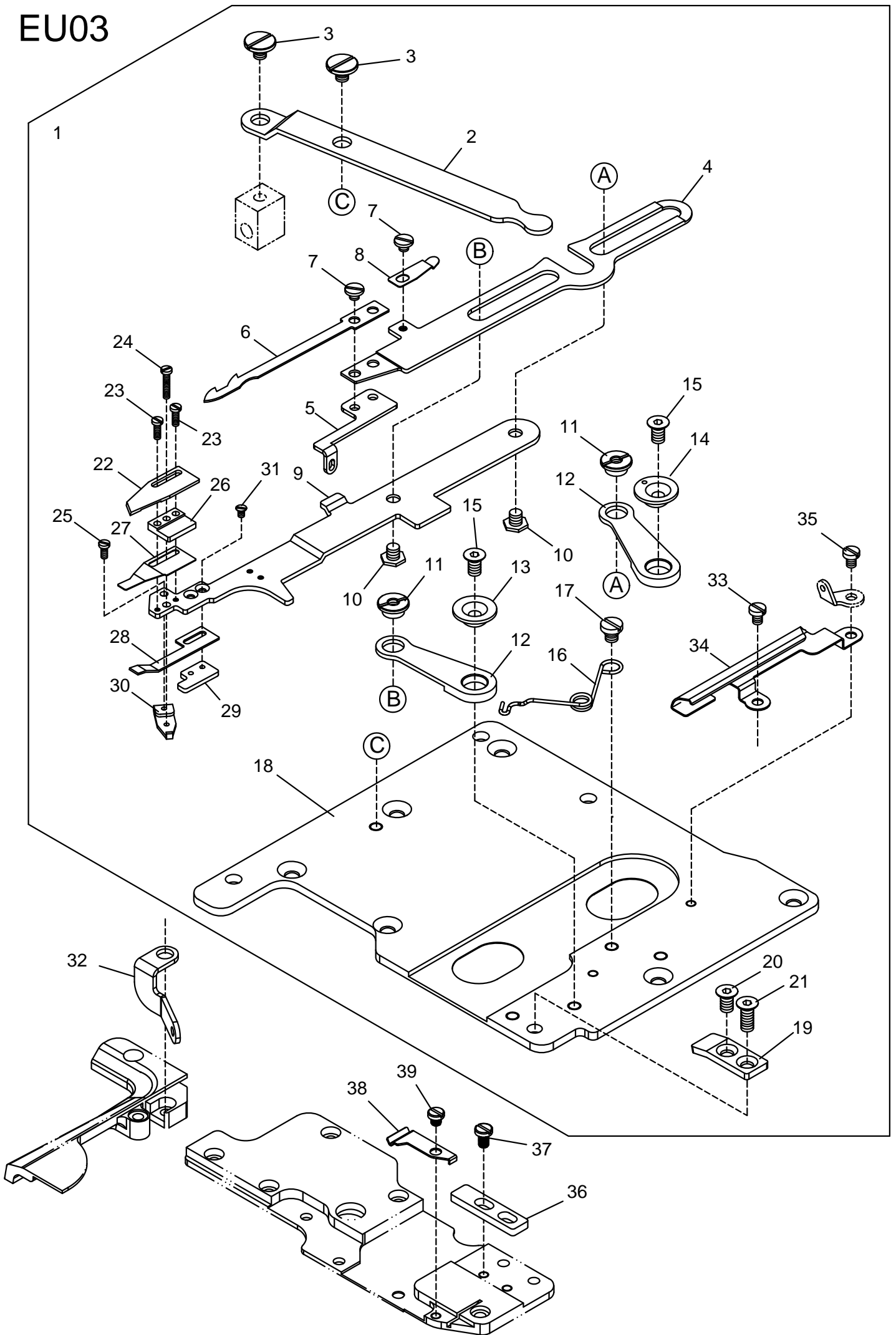
UNDER THREAD TRIMMER (PNEUMATIC TYPE)

氣壓式下切刀驅動機構

EU02

Ref.No	Parts.No	Description	品名	Amt.Req.
1	U13017	Switch Guide	安全開關導片	1
2	C04052	Washer	墊片	2
3	C04049	Screw (M3-0.5x6.5)	螺絲	2
4	U02204	Tension Release Connecting Plate	鬆線連結板	1
5	C02017	Screw (M4-0.7x8)	螺絲	2
6	C08052	Screw(M4-0.7x4)	螺絲	1
7	U02007	Tension Release Block	鬆線滑塊	1
8	C08047	Screw(M6-1x12)	螺絲	3
9	U02009	Collar	軸環	1
10	A08038	Screw (11/64-40x13)	螺絲	1
11	U02011	Anti-shock Rubber	緩衝墊片	1
12	U02012	Air Cylinder	氣缸	1
13	U02113	Switch Holder	安全開關固定架	1
14	U13014	Switch	安全開關	1
15	C03030	Washer	墊片	2
16	U01021	Screw (M4-0.7x5)	螺絲	2
17	U02017	Washer	墊片	1
18	U02018	Air Cylinder Bracket	氣缸固定架	1
19	U02019	Elbow Connector (Ø4-PT1/8)	快速接頭	2
20	U02020	Solenoid Return Spring	復進彈簧	1
21	U02021	Plunger	柱塞	1
22	U13030	Screw Pin (M5-0.8x6)	螺絲	1
23	U13031	Connecting Block(Right) Support Spring	彈簧	1
24	U13032	Connecting Block(Right)	連結塊(右)	1
25	C08048	Nut	螺帽	3
26	U13034	Connecting Rod (M5-0.8x40)	螺絲	1
27	U13035	Connecting Block(Left)	連結塊(左)	1
28	U05006	Nut	螺帽	2

EU03



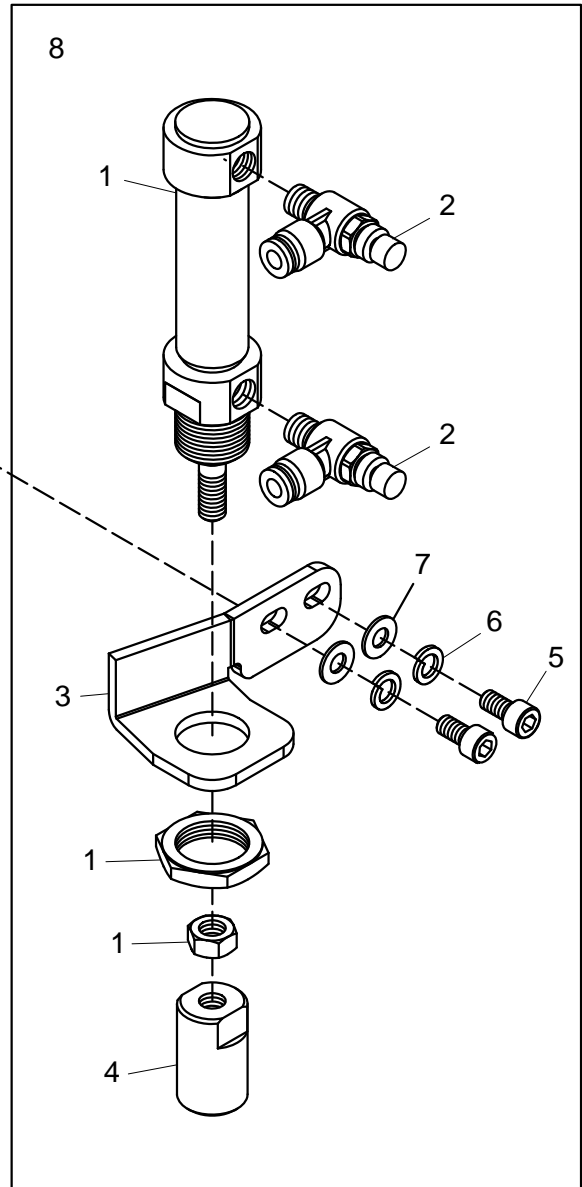
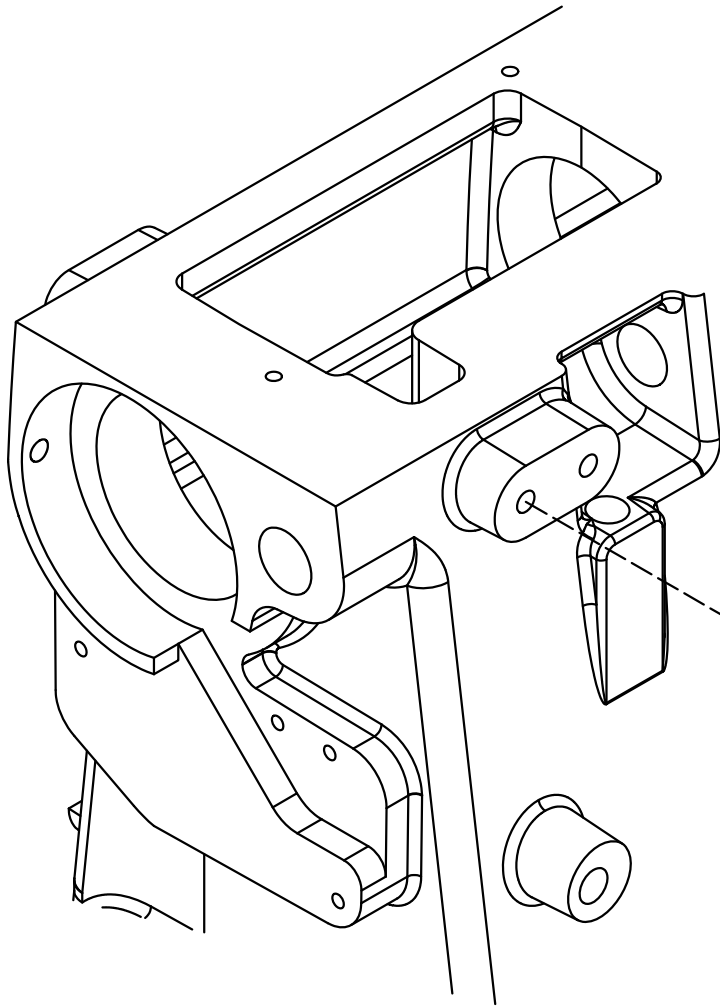
UNDER THREAD TRIMMER

下切刀驅動機構

EU03

Ref.No	Parts.No	Description	品名	Amt.Req.
1	EU03001	Trimming Machanism, C. Set	切刀盤組	1
2	U03002	Lower Knife Driving Lever	下切刀驅動桿	1
3	U03003	Screw (M4-0.7x6)	螺絲	2
4	EU03004	Lower Knife Carrier	下切刀活動托架	1
5	EU03005	Looper Thread Pull-off	鬆線板	1
6	U03006	Lower Knife	下切活動刀	1
7	U03007	Screw (M3-0.5x2.6)	螺絲	3
8	U03008	Supplementary Spring	定位彈片	1
9	U03009	Upper Knife Carrier	下切刀固定托架	1
10	U03010	Screw (M4-0.7x4)	螺絲	2
11	U03011	Nut	螺帽	2
12	U03012	Knife Guide Lever	下切刀槓桿	2
13	U03013	Knife Guide Lever Ring(Left)	下切刀槓桿套環(左)	1
14	U03014	Knife Guide Lever Ring(Right)	下切刀槓桿套環(右)	1
15	U03015	Screw (M4-0.7x7)	螺絲	2
16	U03016	Upper Knife Carrier Spring	下切刀固定托架彈簧	1
17	U03017	Screw (M4-0.7x2.5)	螺絲	1
18	EU03018	Crank Chamber Cover	曲軸室蓋	1
19	EU03019	Upper Knife Carrier Stopper	下切刀托架擋板	1
20	U03020	Screw (M4-0.7x6)	螺絲	1
21	EU03021	Screw (M4-0.7x8)	螺絲	1
22	U03022	Upper Knife	下切固定刀	1
23	U03023	Screw (M2-0.4x6)	螺絲	2
24	U03024	Screw (M2-0.4x10)	螺絲	1
25	U03025	Screw (M2-0.4x3.5)	螺絲	1
26	U03026	Upper Knife Guide	下切刀導塊	1
27	U03027	Clamp Spring	彈簧夾片	1
28	U03028	Clamp Spring Pressure	彈簧夾片壓板	1
29	U03029	Clamp Spring Pressure Holder	彈簧夾片擋塊	1
30	U03030	Clamp Spring Pressure Adjusting Piece	彈簧夾片調節板	1
31	U03031	Screw (M2-0.4x4)	螺絲	2
32	EU03032	Looper Thread Eyelet	勾針線過線孔	1
33	C02049	Screw(M3-0.5x3.5)	螺絲	1
34	U03034	Thread Guide	護線板	1
35	U13018	Screw (M3-0.5x5)	螺絲	1
36	E02049	Lower Knife Carrier Guide	下切刀托架擋塊	1
37	E02050	Screw(M3-0.5x5)	螺絲	2
38	E02051	Lower Knife Carrier Spring	下切刀托架彈片	1
39	E02052	Screw(M3-0.5x3)	螺絲	1

EU04



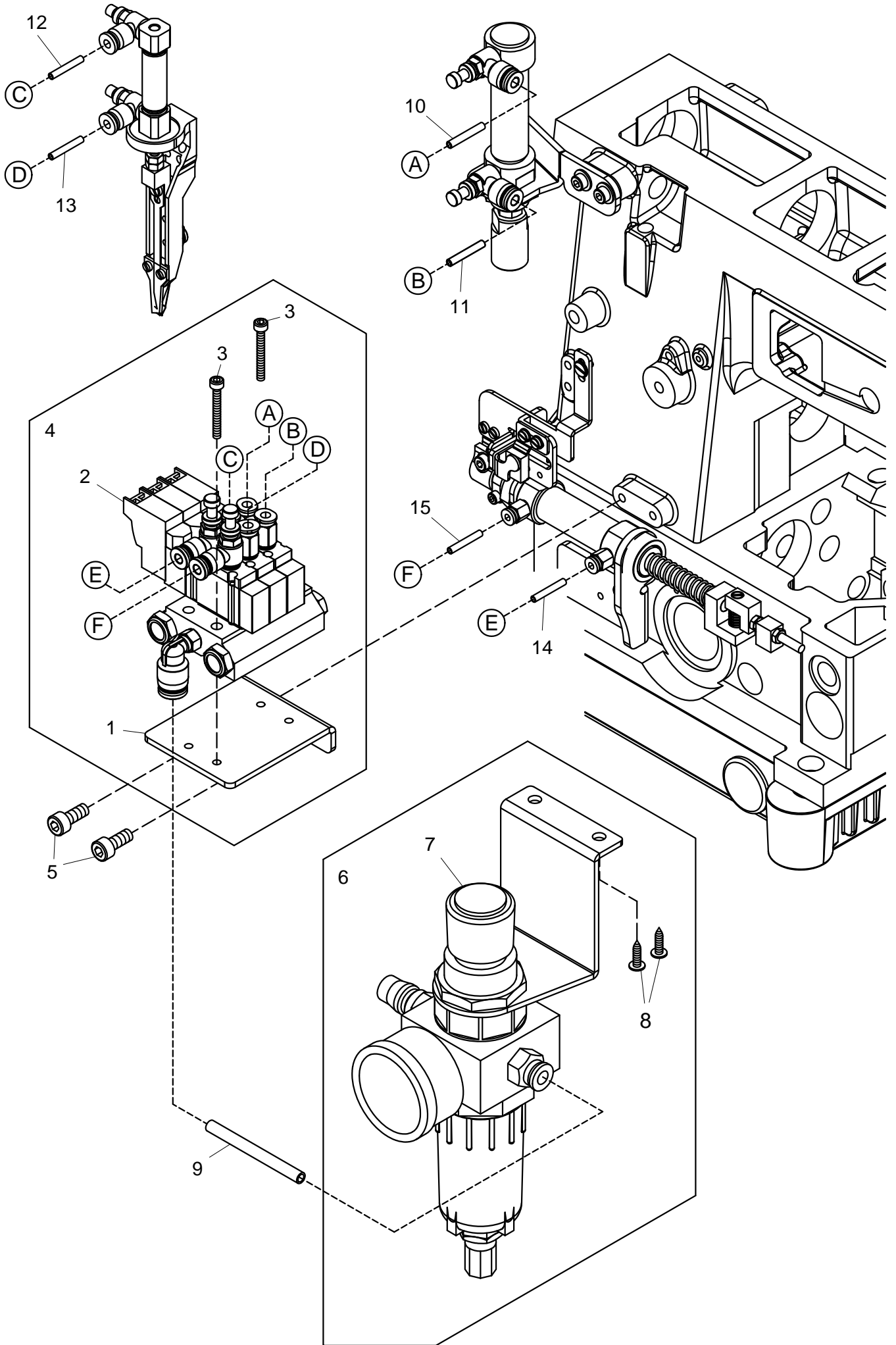
PRESSER FOOT LIFTER (PNEUMATIC TYPE)

氣壓式抬壓腳

EU04

Ref.No	Parts.No	Description	品名	Amt.Req.
1	U04001	Air Cylinder	氣缸	1
2	U04102	Elbow Connector (Ø6-PT1/8)	快速接頭	2
3	U04103	Air Cylinder Bracket	氣缸固定架	1
4	U04004	Plastic Pushing Block	塑膠推塊	1
5	B1313	Screw (M6-1x16)	螺絲	2
6	B1435	Spring Washer	彈簧墊片	2
7	B2522	Washer	墊片	2
8	U04108	Air Cylinder, C. Set	抬壓腳氣缸組	1

EU05



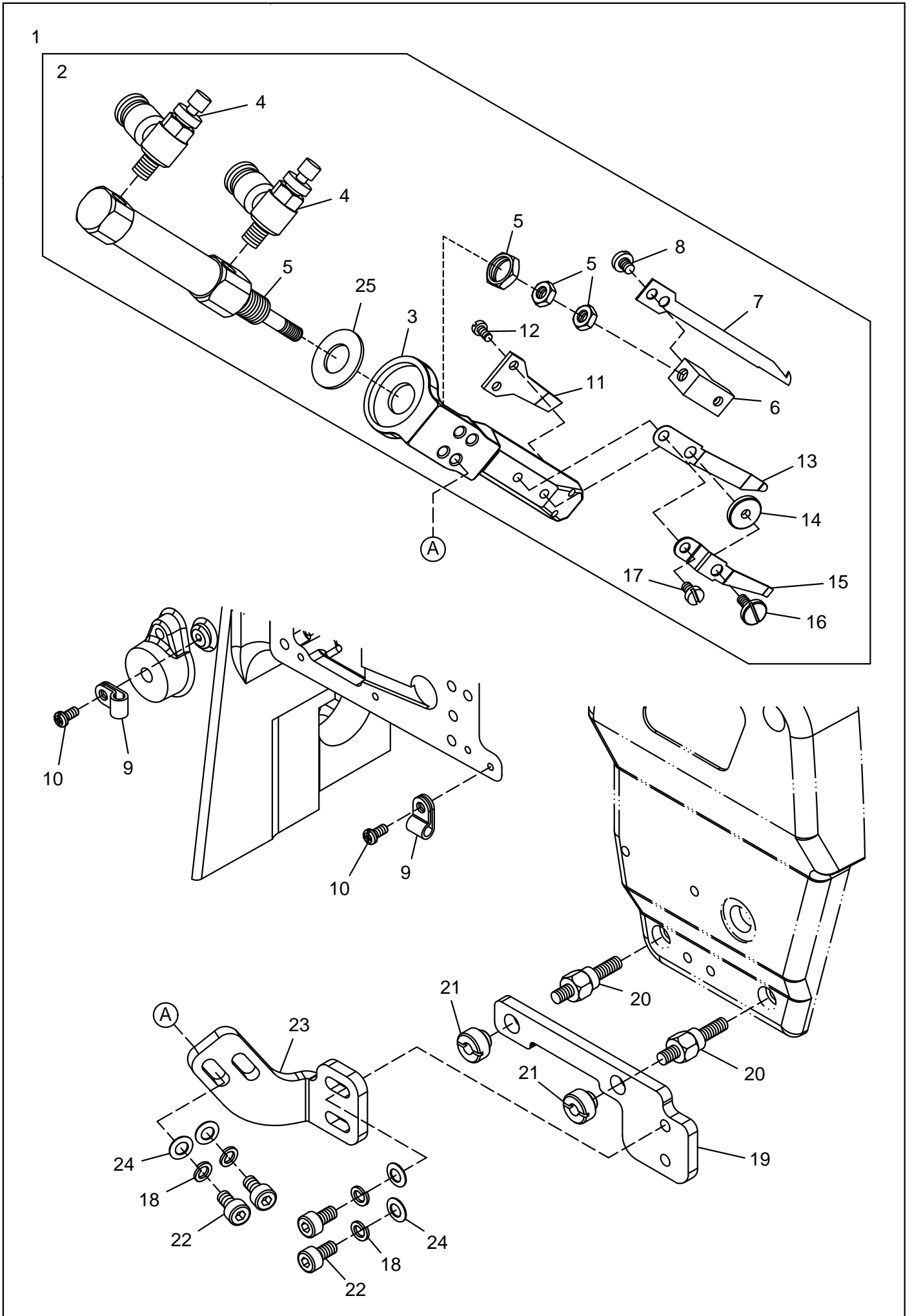
AIR ASSEMBLY LINE

氣動切線裝置線路圖

EU05

Ref.No	Parts.No	Description	品名	Amt.Req.
1	U05101	Solenoid Valve Support	電磁閥架	1
2	U05102	Solenoid Valve	電磁閥	1
3	U05103	Screw (M3-0.5x45)	螺絲	4
4	U05104	Solenoid Valve, C. Set	電磁閥組	1
5	C08042	Screw(M6-1x10)	螺絲	2
6	B22213	Filter Regulator, C. Set	調壓過濾器組	1
7	B22214	Filter Regulator	調壓過濾器	1
8	B22215	Wood Screw	螺絲	2
9	U05109	Air Tube (4x6x500mm)	PU管	1
10	U05110	Air Tube (2.5x4x250mm)	PU管	1
11	U05111	Air Tube (2.5x4x200mm)	PU管	1
12	U05212	Air Tube (2.5x4x600mm)	PU管	1
13	U05213	Air Tube (2.5x4x550mm)	PU管	1
14	U05114	Air Tube (2.5x4x150mm)	PU管	1
15	U05115	Air Tube (2.5x4x210mm)	PU管	1

EU06



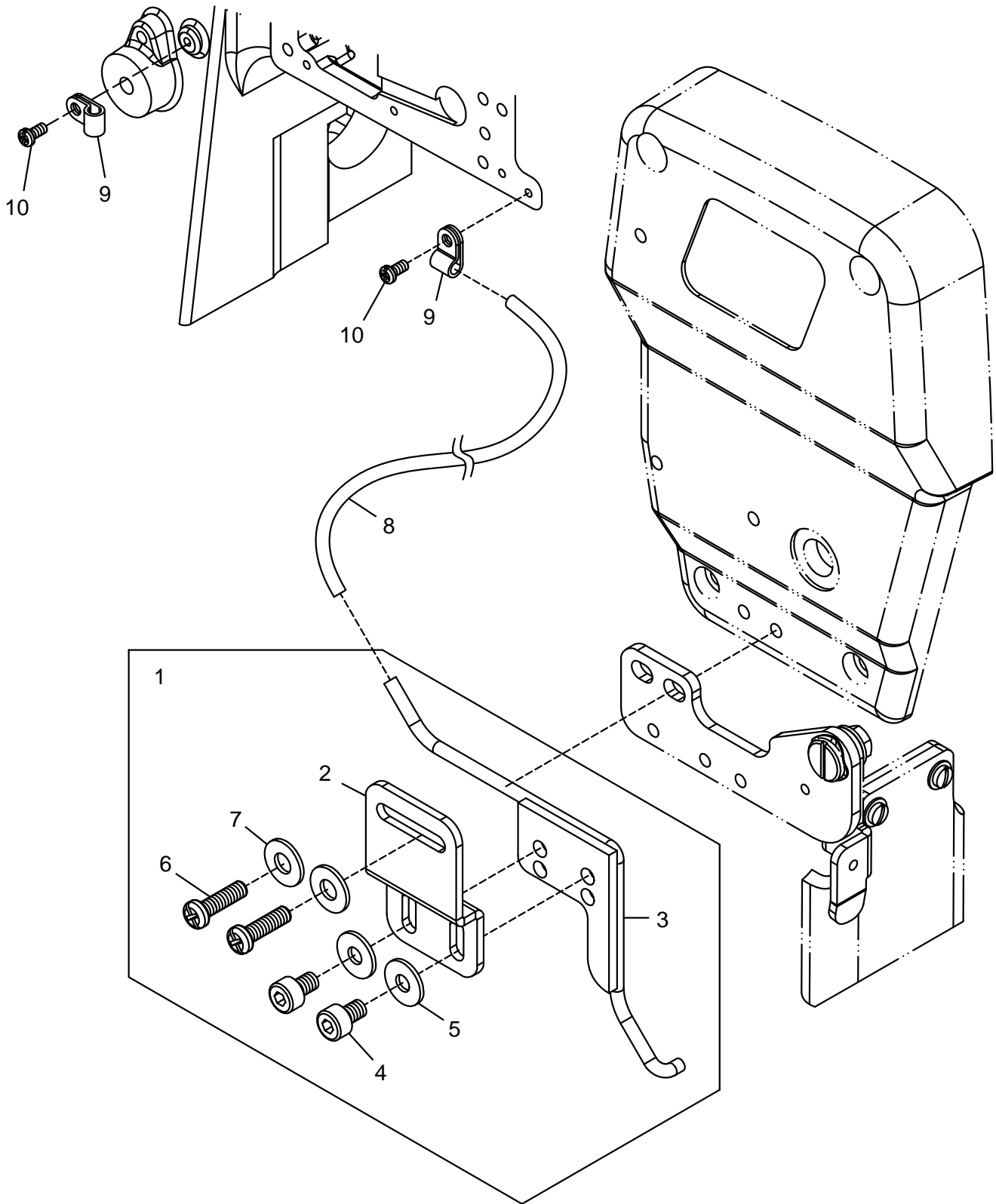
TOP THREAD TRIMMER (PNEUMATIC TYPE)

氣壓式上切刀機構

EU06

Ref.No	Parts.No	Description	品名	Amt.Req.
1	U06201	ST2-A Device, C. Set	氣動式上切刀組	1
2	U06002	Trimming Device, Complete Set	切刀組	1
3	U06103	Knife Guide Bracket	切刀導架	1
4	U06004	Fitting (FJSC 4-M5)	可調式快速接頭	2
5	U06205	Air Cylinder	氣缸	1
6	U09006	Movable Trimming Knife Holder	活動刀台	1
7	U09007	Movable Trimming Knife	活動刀	1
8	U09008	Screw (1/8-40x3)	螺絲	1
9	U06009	Cord Clamp	配線固定鈕	2
10	C01025	Screw (M4-0.7x8)	螺絲	2
11	U09011	Fixed Trimming Knife	固定刀	1
12	U09012	Screw (M2.5-0.45x5.2)	螺絲	2
13	U09013	Thread Clamp	夾線片	1
14	U09014	Nut	螺帽	1
15	U09015	Thread Clamp Spring	夾線彈片	1
16	U09016	Adjusting Screw (M3-0.5x6)	調節螺絲	1
17	U13018	Screw (M3-0.5x5)	螺絲	1
18	B29041	Spring Washer	彈簧墊片	4
19	U09119	Positioning Plate (Upper)	固定板(上)	1
20	U09020	Fixed Screw	固定螺絲	2
21	U09021	Nut	螺帽	2
22	U09022	Screw (M4-0.7x8)	螺絲	4
23	U09123	Positioning Plate (Lower)	固定板(下)	1
24	U09024	Washer	墊片	4
25	B15127	Washer	墊片	1

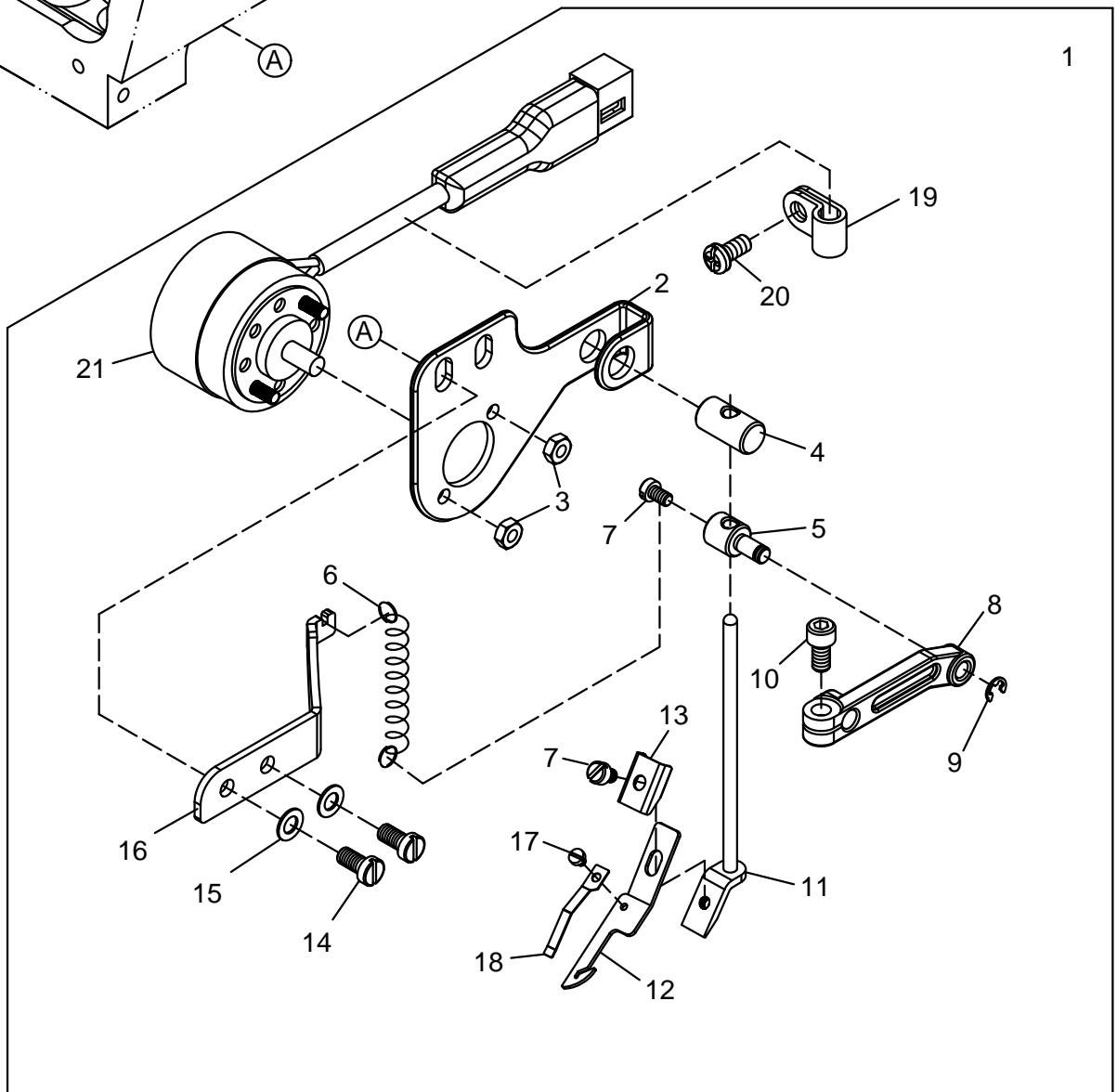
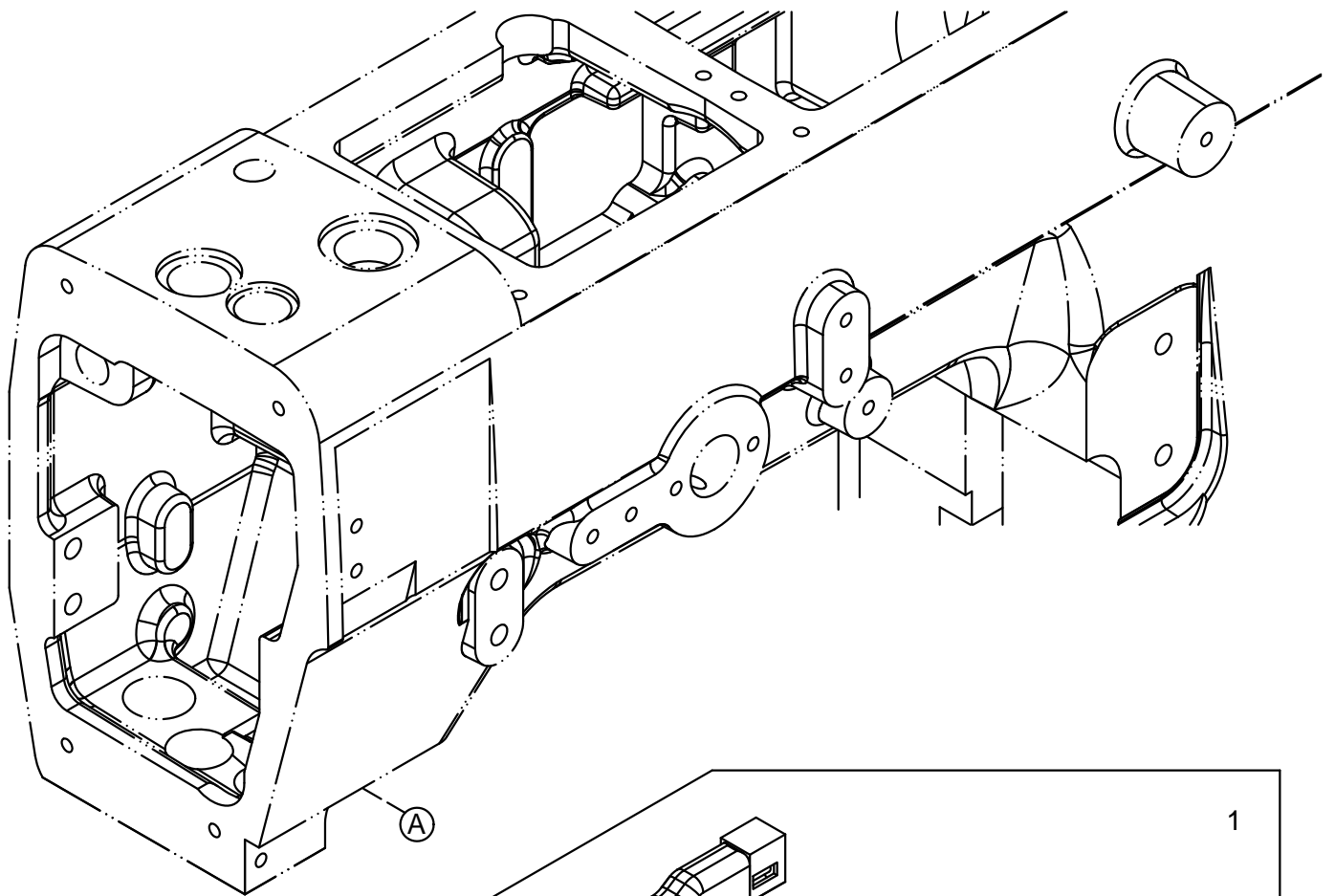
EU07



UNDER THREAD WIPER (PNEUMATIC TYPE)**氣壓式上吹線機構****EU07**

Ref.No	Parts.No	Description	品名	Amt.Req.
1	U07001	Air Wiper, C. Set	上吹線組	1
2	U07002	Air Wiper Support	上吹線管支架	1
3	U07003	Air Wiper	上吹線管	1
4	C03041	Screw (M4-0.7x6)	螺絲	2
5	B29020	Washer	墊片	2
6	C01011	Screw (M4-0.7x10)	螺絲	2
7	C03030	Washer	墊片	2
8	U05020	Air Tube (4x2.5x600mm)	PU管	1
9	U13019	Cord Clamp	配線固定鈕	2
10	C01025	Screw (M4-0.7x8)	螺絲	2

EU08



UNDER THREAD WIPER (ELECTRIC TYPE)

電磁式上撥線機構

EU08

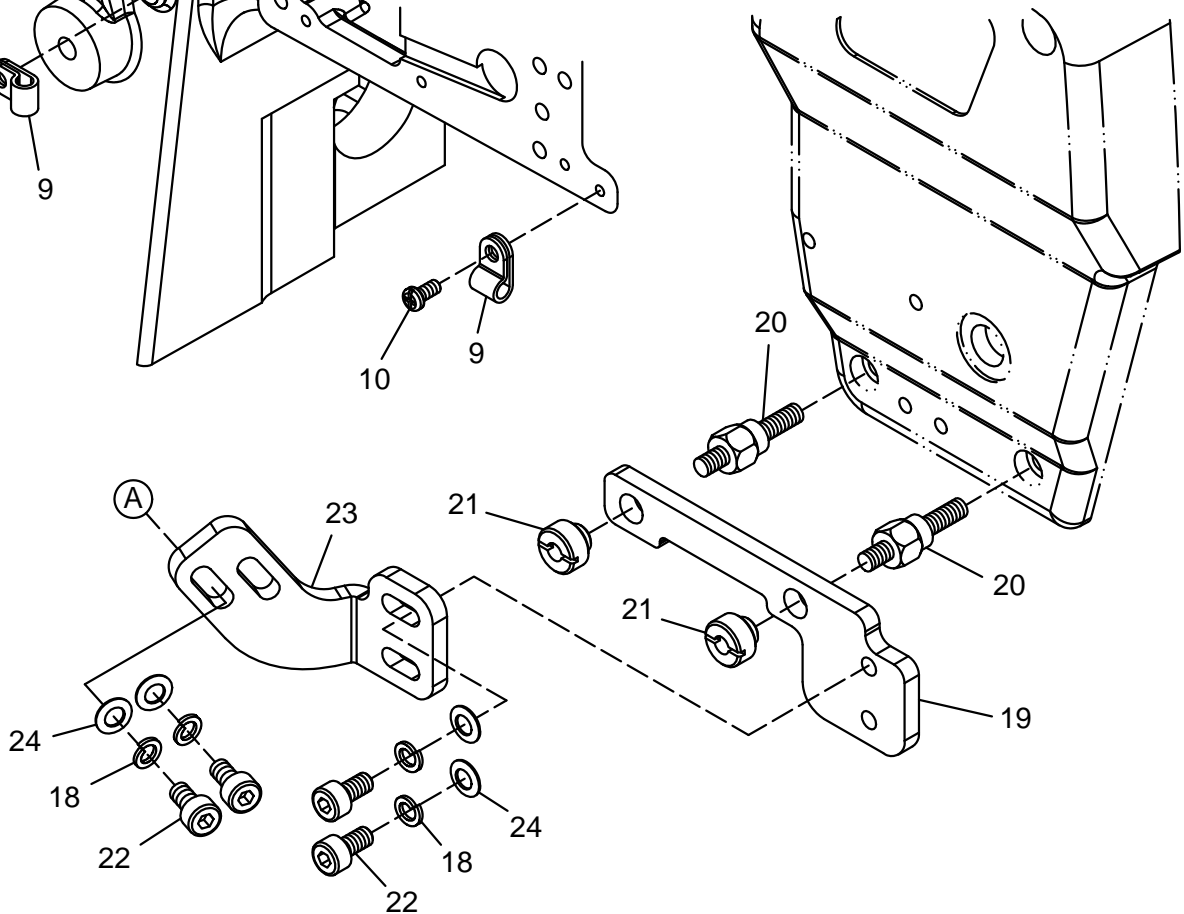
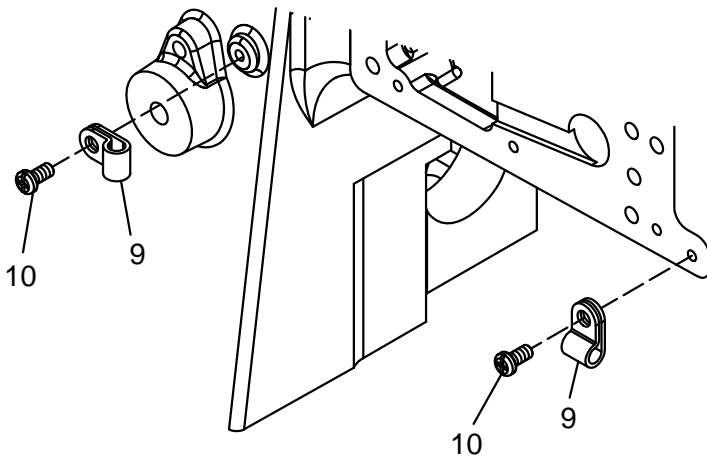
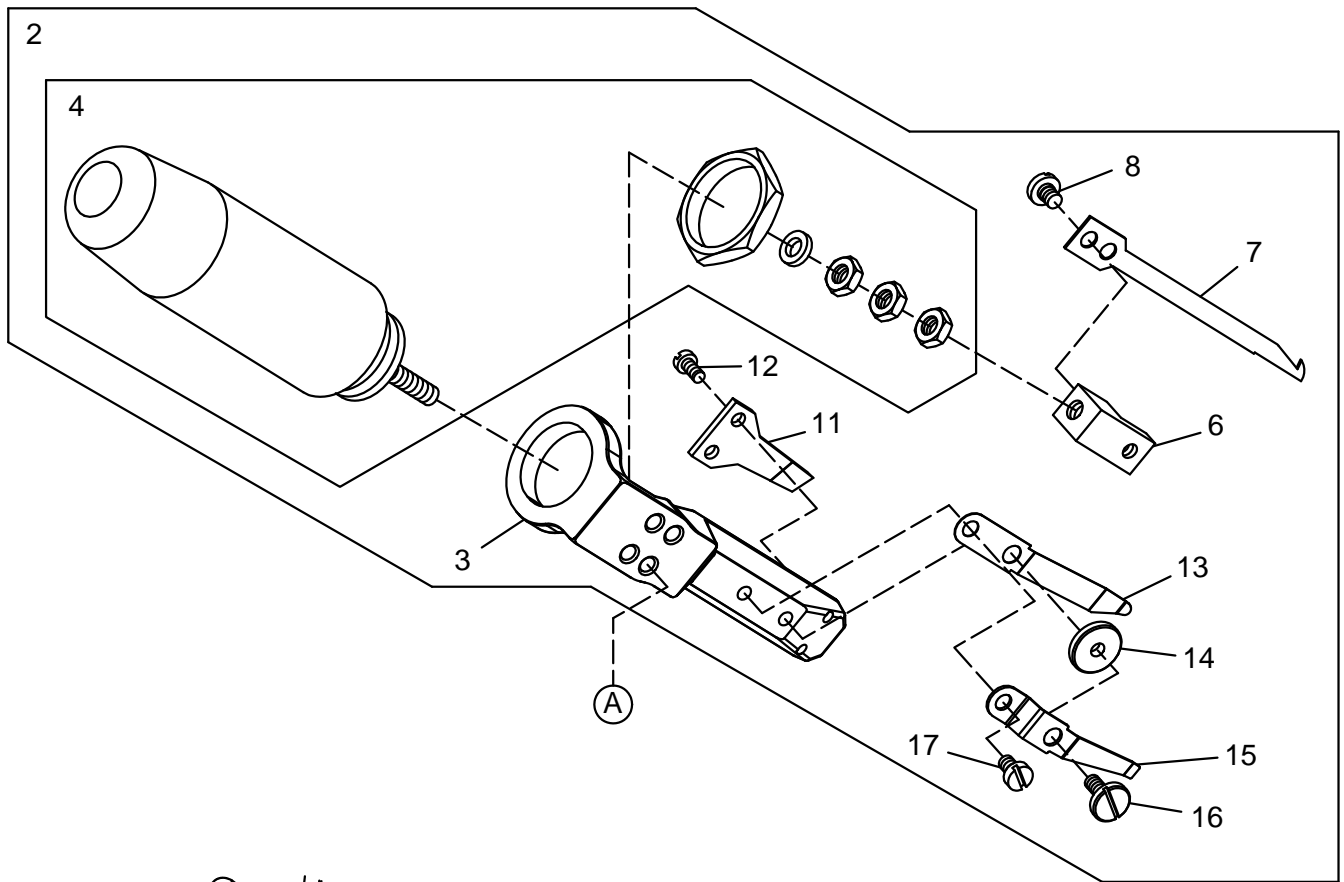
Ref.No	Parts.No	Description	品名	Amt.Req.
1	U08101	Wiper Solenoid	撥線組	1
2	U08002	Solenoid Bracket	撥線電磁鐵托架	1
3	U05006	Nut	螺帽	2
4	U08104	Wiper Bar Guide	撥線搖臂導塊	1
5	U08005	Solenoid Lever Pin	電磁鐵搖臂插銷	1
6	U08006	Buffer Spring	緩衝彈簧	1
7	U13018	Screw (M3-0.5x5)	螺絲	2
8	U08108	Solenoid Lever	電磁鐵搖臂	1
9	C11044	Retaining Ring	固定環	1
10	U09022	Screw (M4-0.7x8)	螺絲	1
11	U08011	Wiper Bar	撥線搖臂	1
12	U08112	Wiper	撥線鉤	1
13	U08113	Wiper Holder	撥線鉤固定座	1
14	C02017	Screw (M4-0.7x8)	螺絲	2
15	C03030	Washer	墊片	2
16	U08116	Buffer Spring Bracket	緩衝彈簧吊架	1
17	U03033	Screw (M2-0.4x2)	螺絲	1
18	U08018	Clamp Spring	夾線彈簧片	1
19	U13019	Cord Clamp	配線固定鈕	2
20	C01025	Screw (M4-0.7x8)	螺絲	2
21	U08121	Wiper Solenoid	撥線電磁鐵	1

EU09

1

2

4



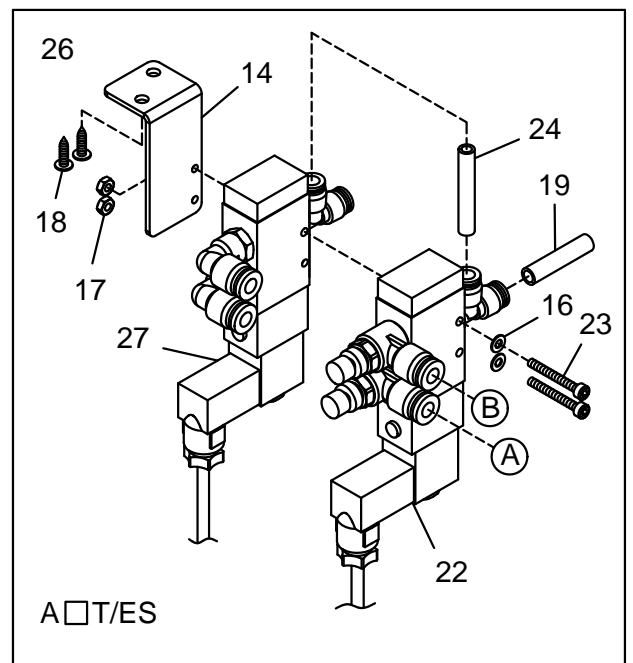
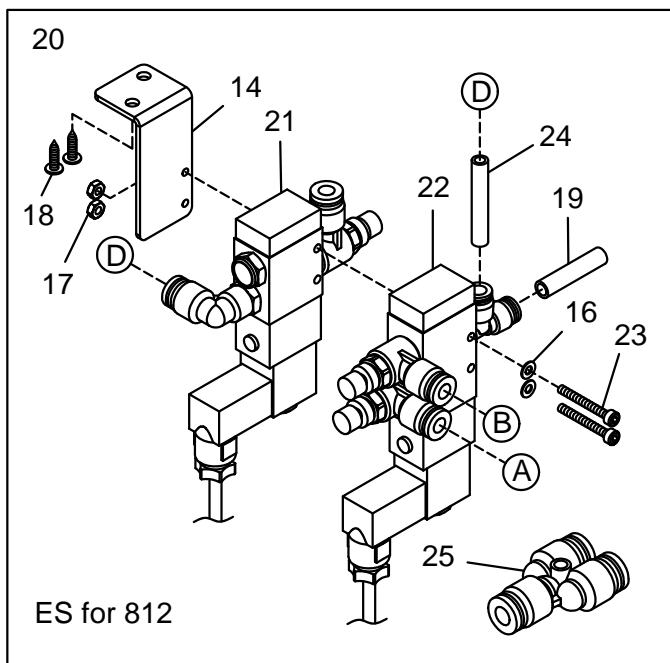
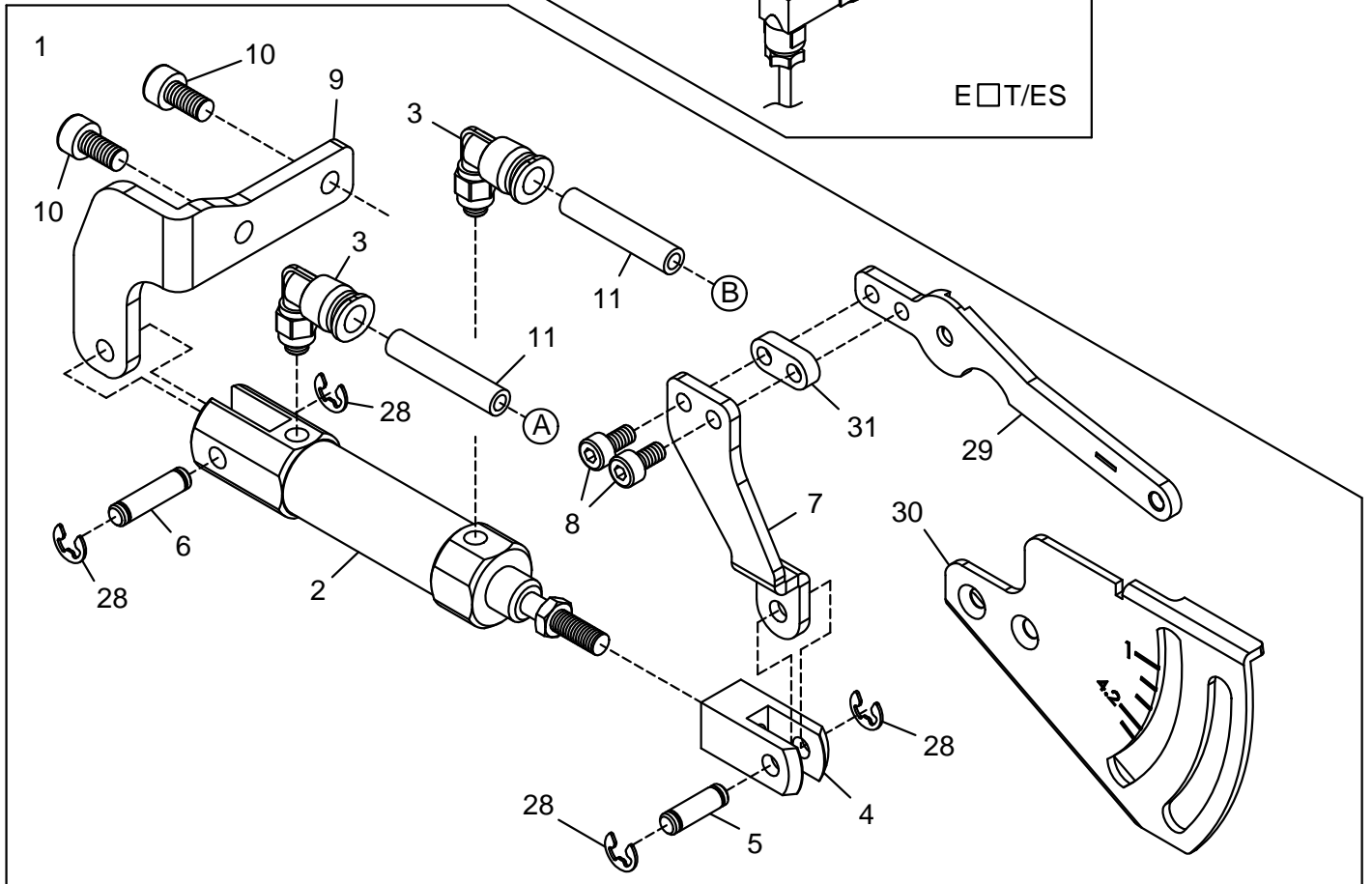
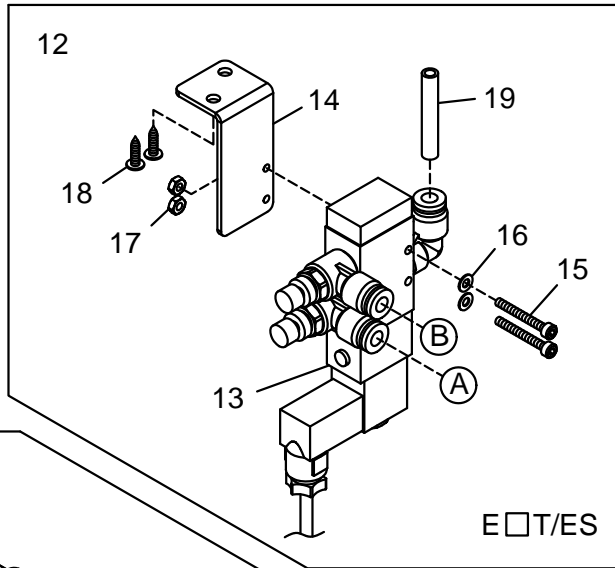
TOP THREAD TRIMMER (ELECTRIC TYPE)

電磁式上切刀機構

EU09

Ref.No	Parts.No	Description	品名	Amt.Req.
1	U09001	ST2-E Device, C. Set	電動式上切刀組	1
2	U09002	Trimming Device, Complete Set	切刀組	1
3	U09003	Knife Guide Bracket	切刀導架	1
4	U09004	Solenoid, C. Set	電磁鐵組	1
5				
6	U09006	Movable Trimming Knife Holder	活動刀台	1
7	U09007	Movable Trimming Knife	活動刀	1
8	U09008	Screw (1/8-40x3)	螺絲	1
9	U13019	Cord Clamp	配線固定鈕	2
10	C01025	Screw (M4-0.7x8)	螺絲	2
11	U09011	Fixed Trimming Knife	固定刀	1
12	U09012	Screw (M2.5-0.45x5.2)	螺絲	2
13	U09013	Thread Clamp	夾線片	1
14	U09014	Nut	螺帽	1
15	U09015	Thread Clamp Spring	夾線彈片	1
16	U09016	Adjusting Screw (M3-0.5x6)	調節螺絲	1
17	U13018	Screw (M3-0.5x5)	螺絲	1
18	B29041	Spring Washer	彈簧墊片	4
19	U09119	Positioning Plate (Upper)	固定板(上)	1
20	U09020	Fixed Screw	固定螺絲	2
21	U09021	Nut	螺帽	2
22	U09022	Screw (M4-0.7x8)	螺絲	4
23	U09123	Positioning Plate (Lower)	固定板(下)	1
24	U09024	Washer	墊片	4

EU10



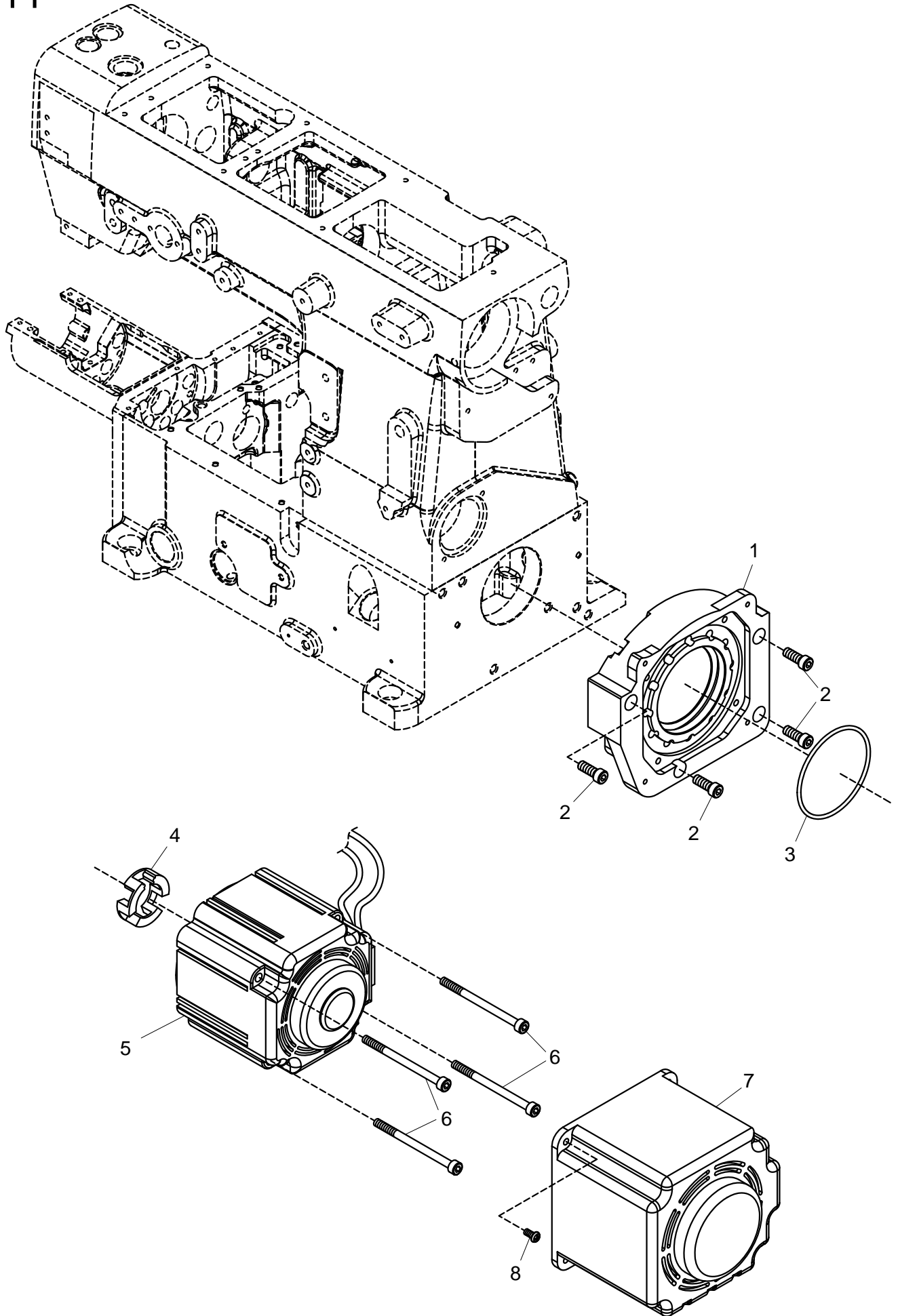
ES DEVICE

密縫裝置

EU10

Ref.No	Parts.No	Description	品名	Amt.Req.
1	EU10001	"ES" Device, C. Set	"ES"裝置	1
2	U10002	Air Cylinder	氣缸	1
3	B23106	Air Tube Joint	快速接頭	2
4	U10004	"Y" Joint	Y接頭	1
5	U10005	Pin	銷	2
6	U10006	Pin	銷	4
7	EU10007	Condense Feed Lever	密縫進給連桿	1
8	B1427	Screw (M4-0.7x12)	螺絲	2
9	U10009	Air Cylinder Holder	氣缸固定架	1
10	C08042	Screw(M6-1x10)	螺絲	2
11	U10011	Air Tube (4x2.5x600mm)	PU管	2
12	U10012	Solenoid Valve, C. Set	電磁閥組	1
13	U10013	Solenoid Valve	電磁閥	1
14	U05012	Solenoid Valve Support	電磁閥架	1
15	U05014	Screw (M3-0.5x25)	螺絲	2
16	C04052	Washer	墊片	2
17	U05006	Nut	螺帽	2
18	B17015	Wood Screw	螺絲	2
19	B22125	Air Tube (4x6x200mm)	PU管	1
20	U10020	Solenoid Valve, C. Set	電磁閥組	1
21	B17213	Solenoid Valve, C. Set	電磁閥組	1
22	U10022	Solenoid Valve, C. Set	電磁閥組	1
23	U05004	Screw (M3-0.5x45)	螺絲	2
24	B22123	Air Tube (4x6x250mm)	PU管	1
25	U05010	Fitting (FPY 6)	三通接頭	1
26	U10026	Solenoid Valve, C. Set	電磁閥組	1
27	U05113	Solenoid Valve	電磁閥	1
28	U10028	E-Type Retaining Rings	E型扣環	4
29	EU10029	Differential Lever	差動調節桿	1
30	EU10030	Main Feed Graduations	主送料刻度板	1
31	EU10031	Washer	墊片	1

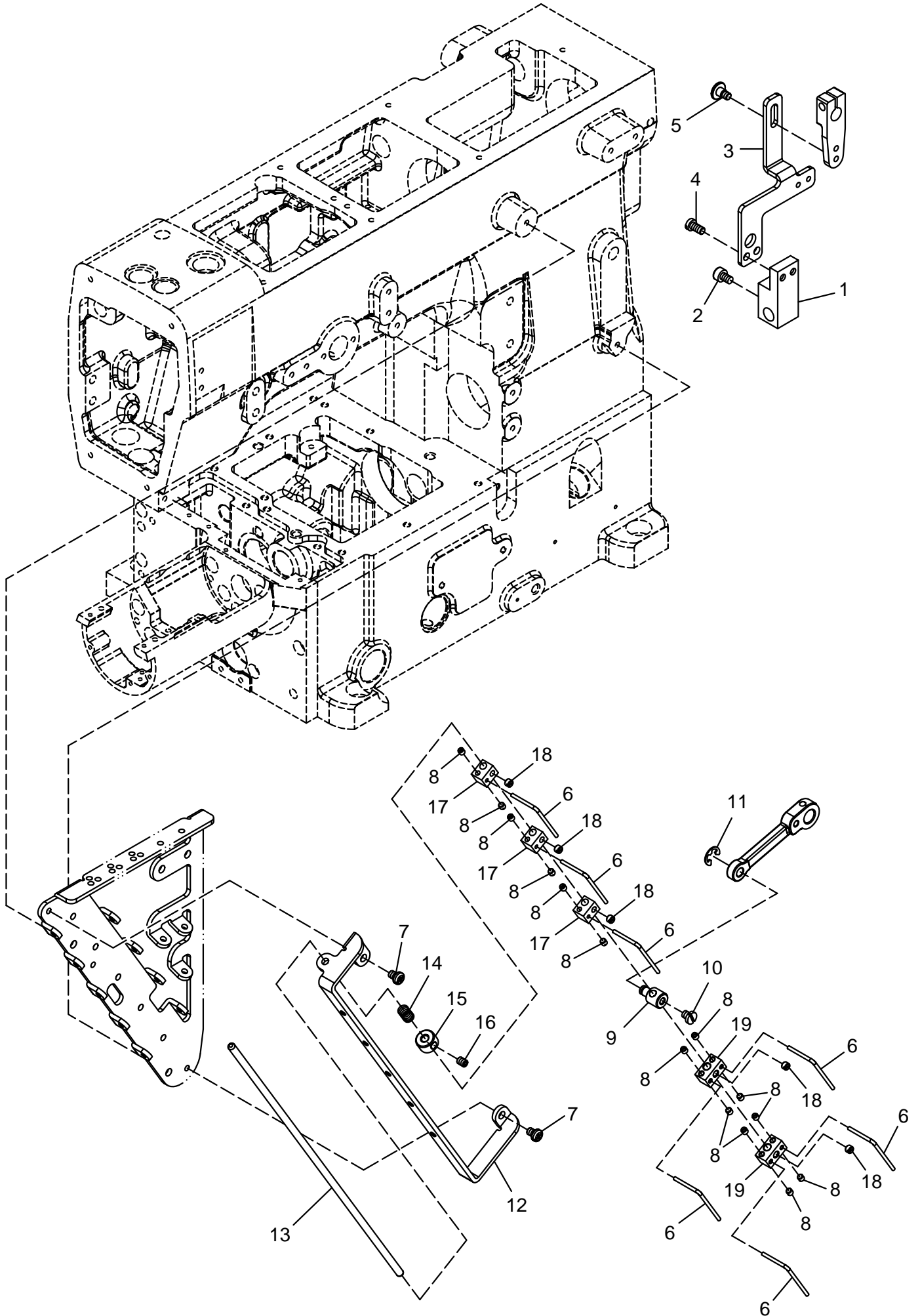
EU11



SERVO MOTOR**伺服馬達****EU11**

Ref.No	Parts.No	Description	品 名	Amt.Req.
1	U11001	Moter Support	馬達座	1
2	C06040	Screw(M6-1x16)	螺絲	4
3	U11003	O-ring	O型環	1
4	U11004	Coupling	聯軸器	1
5	U11005	Servo Moter	伺服馬達	1
6	U11006	Screw (M5-0.8x70)	螺絲	4
7	U11007	Moter Cover	馬達蓋	1
8	U11008	Screw (M4-0.7x8)	螺絲	4

EU12



AUTO TRIMMER THREAD PULL-OFF MECHANISM (ELECTRIC TYPE) 電磁式自動切線鬆線機構

EU12

Ref.No	Parts.No	Description	品名	Amt.Req.
1	U12027	Tension Release Block	鬆線滑塊	1
2	C03041	Screw (M4-0.7x6)	螺絲	1
3	U12029	Tension Release Connecting Plate	鬆線連結板	1
4	C02017	Screw (M4-0.7x8)	螺絲	2
5	C08052	Screw(M4-0.7x4)	螺絲	1
6	U01025	Thread Pull-off Bar	鬆線鉤	7
7	C02044	Screw (M4-0.7x5)	螺絲	2
8	U01026	Screw (1/8-44x3)	螺絲	14
9	U01020	Thread Pull-off Bar Holder	鬆線桿固定座	1
10	U01021	Screw (M4-0.7x5)	螺絲	1
11	U01022	Retaining Ring	E型扣環	1
12	U01012	Thread Pull-off Eyelet	鬆線過線架	1
13	U01013	Thread Pull-off Bar	鬆線控制桿	1
14	U01014	Swing-proof Spring	彈簧	1
15	U01015	Collar	軸環	1
16	C02026	Screw (M4-0.7x4)	螺絲	1
17	U01017	Thread Pull-off Hook	鬆線鉤固定座	3
18	U01018	Screw (M4-0.7x3)	螺絲	5
19	U01019	Thread Pull-off Hook	鬆線鉤固定座	2

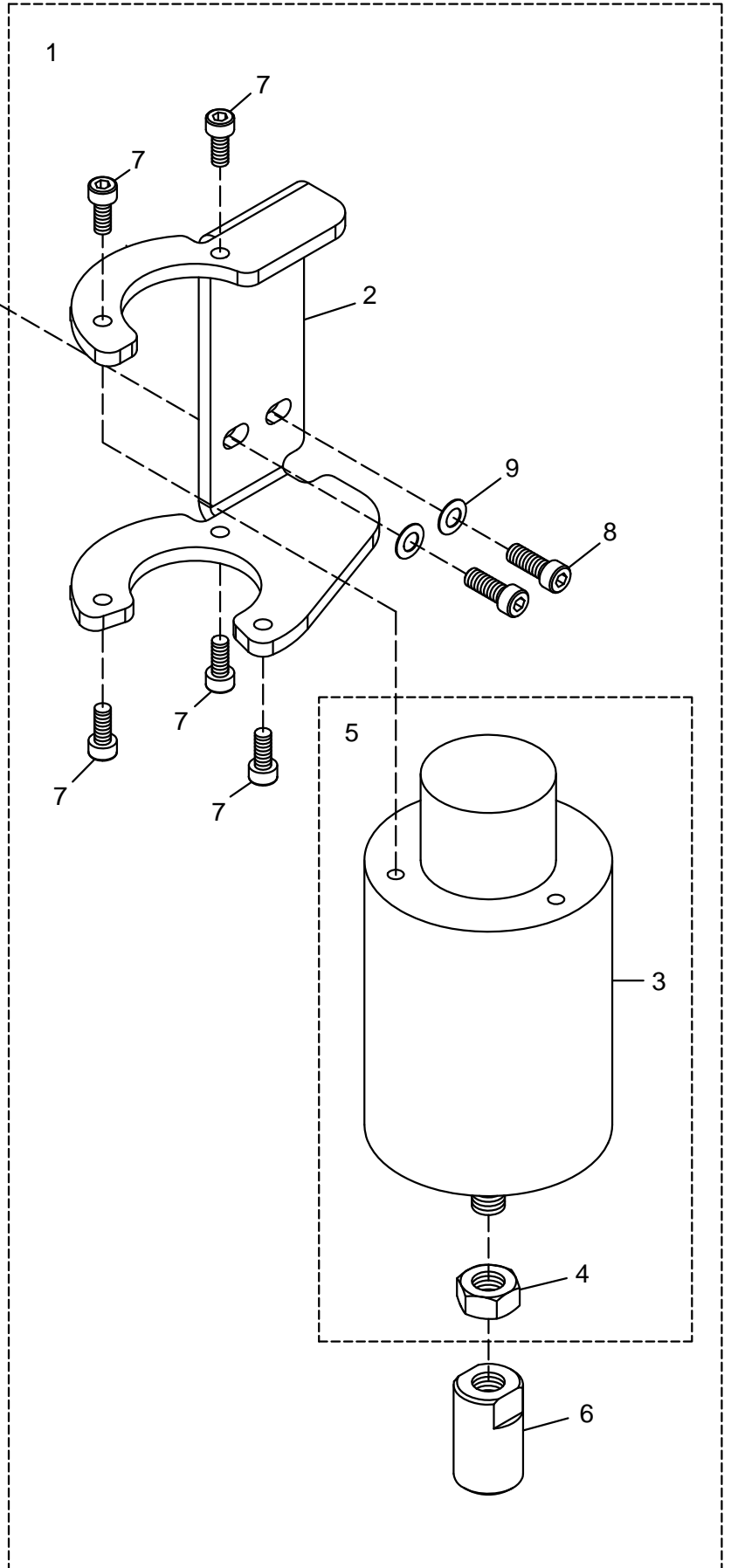
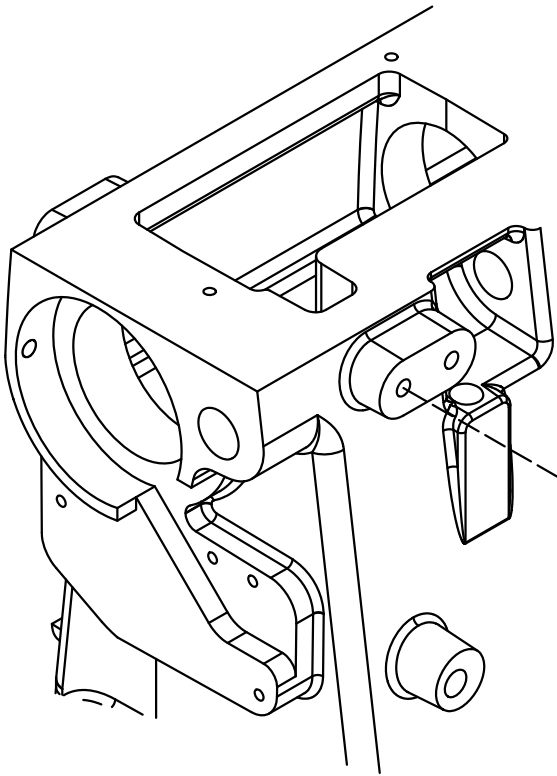
UNDER THREAD TRIMMER (ELECTRIC TYPE)

電磁式下切刀驅動機構

EU13

Ref.No	Parts.No	Description	品名	Amt.Req.
1	U13001	Trimming Solenid, Complete Set	電磁鐵組	1
2	U13002	Trimming Solenoid	電磁鐵	1
3	U13003	Solenoid Dust-proof Cover	防塵蓋	2
4	U13004	Nut	螺帽	4
5	U13005	Washer	墊片	1
6	U13006	Anti-shock Rubber	避震墊	1
7	C02044	Screw (M4-0.7x5)	螺絲	1
8	C08036	Screw(M5-0.8x14)	螺絲	3
9	U13009	Trimming Solenoid Support	電磁鐵座	1
10	C06040	Screw(M6-1x16)	螺絲	2
11				
12	C04052	Washer	墊片	2
13				
14	U13014	Switch	安全開關	1
15	U13015	Washer	墊片	2
16	U13016	Screw (M3.5-0.6x6)	螺絲	2
17	U13017	Switch Guide	安全開關導片	1
18	U13018	Screw (M3-0.5x5)	螺絲	2
19	U13019	Cord Clamp	配線固定鈕	1
20	U13020	Nut	螺帽	2
21	U13021	Plunger Connecting Rod	柱塞連桿	1
22	A05008	Packing Screw (11/64-40x5.8)	螺絲	1
23	U13023	Plunger Connecting Rod Pin	柱塞連結軸	1
24	U13024	Plunger	柱塞	1
25	A04003	Screw (M5-0.8x5)	螺絲	2
26	U13026	Solenoid Return Shaft	復進軸	1
27	U13027	Collar (8x16x8mm)	軸環	1
28	A08014	Screw (11/64-40x5.8)	螺絲	1
29	U13029	Solenoid Return Spring	復進彈簧	1
30	U13030	Screwed Pin (M5-0.8x6)	螺絲	1
31	U13031	Connecting Block(Right) Support Spring	彈簧	1
32	U13032	Connecting Block(Right)	連結塊(右)	1
33	C08048	Nut	螺帽	3
34	U13034	Connecting Rod (M5-0.8x40)	螺絲	1
35	U13035	Connecting Block(Left)	連結塊(左)	1
36	U13036	Under Thread Trimmer, C. Set	下切刀驅動組	1

EU14



PRESSER FOOT LIFTER (ELECTRIC TYPE)

電磁式抬壓腳

EU14

Ref.No	Parts.No	Description	品名	Amt.Req.
1	U15001	Presser Foot Lifter, C. Set.	抬壓腳組	1
2	U15102	Solenoid Bracket	電磁鐵支架	1
3	U15003	Solenoid	電磁鐵	1
4	U15004	Nut	螺帽	1
5	U15005	Solenoid, C. Set	電磁鐵組	1
6	U15006	Plastic Pushing Block	塑膠推塊	1
7	C11014	Screw(M5-0.8x12)	螺絲	5
8	B1313	Screw (M6-1x16)	螺絲	2
9	B2522	Washer	墊片	2